



BX3816

1998 Volkswagon Passat Installation Instructions

The turn signal assemblies and the plastic bumper need to be removed. The actual metal bumper can be removed also as an option.

1. Open the hood and find the plastic release handle that is behind each blinker assembly and release it. Slide each blinker out.
2. To remove the plastic bumper molding remove the T25 Torax head bolts. There are five inner Torax bolts. Remove the two rubber pieces from the top of the bumper molding, be careful not to break the release handle. NOTE: You may want to remove the latch release handle by removing the center pin and pulling the handle off the latching bracket.
3. Remove the six T25 Torax head bolts connecting the fender well molding to the bumper molding. Pull the fender well molding back and remove the T25 Torax head bolt from each corner.
4. Remove the three flat head screws from the bottom of the bumper molding. You should now be able to pull the plastic molding from the frame. NOTE: An option that might make it easier to install the baseplate is if the metal bumper is removed. To remove the metal bumper, remove the 10mm bolts holding it to the frame brackets.
5. Notice and remove from each side the three T45 Torax head bolts on the flat bumper brackets. These bolts will not be use for the baseplate installation. Hold the baseplate up the bolt holes and use the 8mm-1.25 x 45mm bolts and lock washers.

Dimensional variations between otherwise identical cars can be considerable. While the location and size of the holes in the baseplate were designed to allow for easy installation, it may be necessary to file a hole slightly. **Use Loctite to ensure the bolts do not loosen while the car is being towed.**

6. Hold the bumper up to its original position and mark areas needed to be trimmed to allow the attachment tabs to extend through the grill.
7. Replace the bumper molding, the upper rubber pieces and the latch release lever.
8. Install the tow bar and safety cables according to the instructions included in their packages. Do not substitute other devices if the tow bar pin and clip are lost.
9. **DEALER OR INSTALLER: BE CERTAIN THE USER RECEIVES THE INSTRUCTION SHEET.**

BX3816

1998 Volkswagen Passat

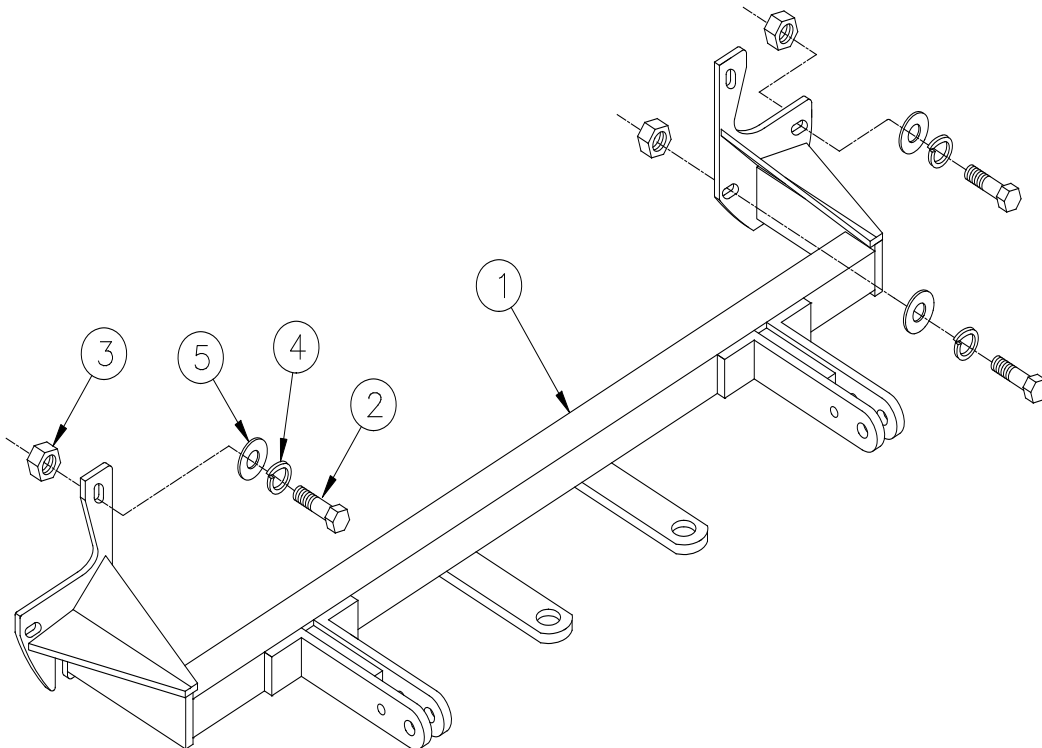
Installation Instructions

Tools Required

13MM Socket	Torax T27 Socket	Loctite	Long Extension
Torax T45 Socket	Torax T25 Socket	Utility Knife	Phillips Screwdriver

Parts List

Ref. No.	Qty.	Part No.	Description
1	1	61-5291	Weldment Baseplate, BX3816
2	6	201-0419	8mm-1.25 x 50mm Hex Bolt, Grade 8.8
3	6	202-0118	8mm-1.25 Hex Nut
4	6	203-0102	8mm Lock Washer
5	6	203-0107	8mm Flat Washer
	2	226-0046	Baseplate Safety Cable, 36" CL III (Not Shown)
	2	229-0359	Quicklink, 3/8, ZP (Not Shown)



General Information

1. It is the owner's responsibility to inspect all towing equipment for cracked welds, missing or worn parts and loose bolts before each towing trip. Be sure to use Loctite® Red on all bolts and tighten to the recommended specifications.
2. It is the owner's responsibility to hook up all towing equipment per manufacturer's instructions/ recommendations.
3. Remove the attachment tabs when not in use (if applicable).

Notice To Baseplate Installer

1. It is YOUR responsibility to watch for:

- Oil cooler and air conditioner lines
- Electrical wires and hoses
- Missing parts or attaching points on the frame

** If the baseplate is improperly installed and is against a wire or hose, it could cause fluid leaks or electrical shorts some time after the actual baseplate installation.

Permanent Baseplate Safety Cable Installation

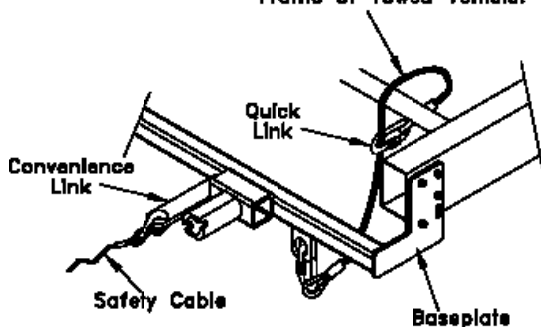
Permanent baseplate safety cables are strongly recommended when towing a vehicle with a tow bar. The principle function of the permanent baseplate safety cables is to prevent the towed vehicle from breaking loose in the event the connection between the frame of the towed vehicle and the baseplate fails or becomes disconnected. The cables must be connected from the baseplate to the frame rail or cross member of the vehicle's frame. The illustrations below show the possible arrangements recommended by Blue Ox®. Each permanent baseplate safety cable must have an adequate weight rating for the towing system. The weight rating of the two (2) cables together will not qualify.

Do not mount the permanent baseplate safety cables against wires, hoses or brake lines.

These permanent baseplate safety cables should remain installed as long as the baseplate is installed on the vehicle. Permanent baseplate safety cables are to be used in conjunction with, and NOT a replacement for legally required safety cables attaching the towed vehicle to the towing vehicle.

OPTION #1

Permanent Baseplate Safety Cables to Cross Member or Frame of Towed Vehicle.



OPTION #2

Permanent Baseplate Safety Cables to Cross Member or Frame of Towed Vehicle.

