



Strong As An Ox™

BX3815 Installation Instructions 1998-05 Volkswagon Beetle Gas, Diesel, and Turbo

The grill needs to be trimmed so the attachment tabs can be inserted. The front fascia needs to be removed. The metal bumper and headlights are removed for the baseplate installation. Holes need to be drilled. Attachment tabs are 24 inches center to center and a height of 12 inches.

1. Open the hood and remove the bolts on top torx bolts of the fascia. Looking underneath the front fascia notice and remove the three plastic rivets.
2. To remove the headlights look at the back of the headlight assemblies and notice the wire clip and plastic lever. Undo the clip and push up on the plastic lever, this will release the headlight assembly. Push out from the back side of the assemblies to remove.
3. Move back to the front tires and look at the front of the plastic fender well. Remove the four screws (Torx T25) that connect the fender well to the bumper molding. Pull back the molding and remove the bolts (Torx T27 and 13mm Socket) that connect the quarter panels and the fascia. There will be a top nut plate and bottom support plate along that will come off with the bolts. Remove the 13mm bolt on the back edge on the inside of the moldings also.
4. The fascia needs to be propped up while installing the baseplate NOTE: We are not removing the two bolts just inboard of the headlights. If you would like to remove these bolts to remove the bumper completely that can be done also. Be careful not to pull up too high on the fascia and break the latch release lever.
5. Remove the metal bumper by removing the two outside bolts (18MM wrench).
6. Notice the existing bolts (8MM and 6MM) on the front plate below the bumper support. Remove these bolts and hold the passenger side of the baseplate (Item 1) up to the passenger side of the plate, loosely fasten the outside 8MM bolt (Items 8, 9 and 14) to the existing hole. Remove the existing bolts from the driver's side. Before fastening the drivers side of the baseplate, place the support brace (Item 5) directly behind the baseplate brace (as shown in the diagram on page 3), then bolt the 8MM and 6MM bolts (Items 8, 9, 14 and 11, 12 and 13). Install the 6MM bolt to the passenger's side of the vehicle. Also remove the plastic air intake surrounding the small cooling system on the passenger's side.
NOTE: The dimensional variations between otherwise identical cars



allow a bolt to clear.

7. A hole needs to be drilled for the top hole on the support brace (Item 5). Use the brace as a template and drill a 3/8" hole. Install the proper hardware (Items 6, 7 and 8) as shown in the diagram on page 3. Use Loctite on each bolt to ensure the bolts will not loosen while the vehicle is being towed.
8. Use the 3/8" hardware (Items 6, 7, 8 and 9) for the middle slotted holes with the braces (Item 3 and 4) as shown in the diagram on page 3. Do not tighten the bolts completely until the back bolts have been started. The 3/8" wire nuts (Item 10) can be inserted into the frame through the lower 1" hole that is approximately 10" back from the front of the frame. You will need to remove the plastic plug to use the hole. **NOTE: The braces use existing holes. Be sure not to tighten any bolts until each one has been started. Once all the bolts have been**



9. The metal bumper, fascia and plastic air intake can be put back on.

weldment. Notice the outline of the receiver part of the baseplate, trim around the outside of the 2 1/2" Attachment Tab receiver.

10. Install the tow bar and safety cables according to the instructions included in the packages. **Dealer or Installer: Be certain the customer receives instruction sheet.**



Attachment Tab Operation

To install the tow bar connectors, push the connector all the way in through the bumper mount and rotate until the locking pin engages.

To remove the tow bar connectors from the car, pull on the ring to release the lock pin and rotate the connector. Pull the connector straight ahead to remove.

Tools Required

13MM Socket
Torx T30 Socket

Torx T27 Socket
Torx T25 Socket

Loctite
Utility Knife

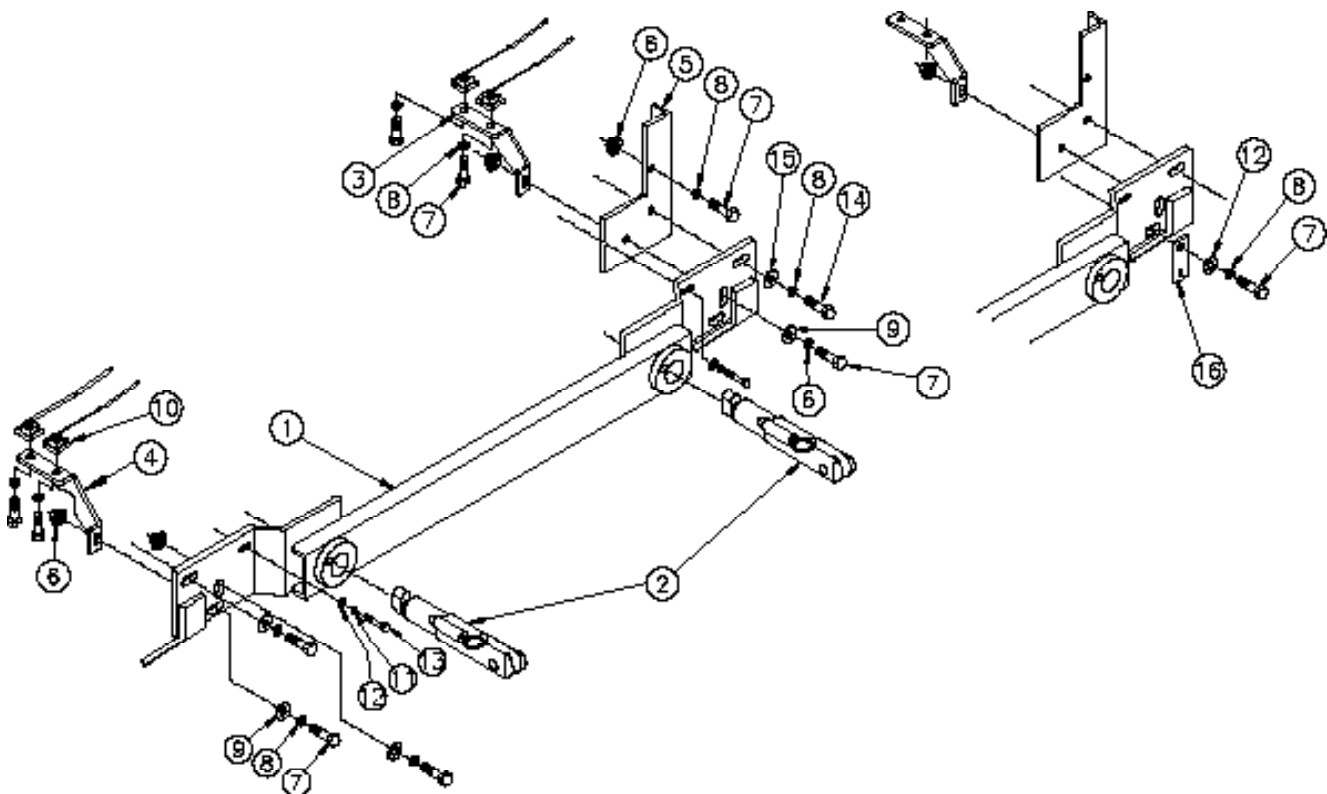
Long Extension
Phillips Screwdriver



Parts List

Ref. No.	Qty.	Part No.	Description
1	1	61-5229	Baseplate, Weldment
2	2	62-3468	Attachment Tabs SF/SB, BX3815
3	1	101-5801	Brace Driver Side, BX3815
4	1	101-5874	Brace Passenger Side, BX3815
5	1	102-5517	Driver Side Support
6	5	202-0071	3/8" Whiz Nut
7	9	201-0368	3/8-16 x 1 1/4" Hex Bolt, Grade 5
8	9	203-0010	3/8" Lock Washer
9	4	203-0003	3/8" Flat Washer
10	4	61-5208	3/8" Nut Plate with Wire
11	2	203-0008	1/4" Lock Washer
12	2	203-0001	1/4" Flat Washer
13	2	201-0655	6mm-1 x 30mm Hex Bolt, Grade 8.8
14	4	201-0418	8mm-1.25 x 35mm Hex Bolt, Grade 8.8
15	2	203-0107	8mm Flat Washer
16	1	101-6044	Sensor Bracket, BX3815
	2	226-0046	Baseplate Safety Cable, 36" CL III (Not Shown)
	2	229-0359	Quicklink, 3/8, ZP (Not Shown)
	2	290-0437	Receiver, Cap Plug (Blk) (Not Shown)

NOTE: The sensor bracket, Item 16, is used for newer vehicles with the sensor mounted to the back side of the bumper facia on the drivers side. Remove the sensor and cut off the plastic so the bumper facia can be replaced. Mount the bracket as shown and plug the sensor into bracket.



General Information

1. It is the owner's responsibility to inspect all towing equipment for cracked welds, missing or worn parts and loose bolts before each towing trip. Be sure to use Loctite® Red on all bolts and tighten to the recommended specifications.
2. It is the owner's responsibility to hook up all towing equipment per manufacturer's instructions/ recommendations.
3. Remove the attachment tabs when not in use (if applicable).

Notice To Baseplate Installer

1. It is YOUR responsibility to watch for:

- Oil cooler and air conditioner lines
- Electrical wires and hoses
- Missing parts or attaching points on the frame

** If the baseplate is improperly installed and is against a wire or hose, it could cause fluid leaks or electrical shorts some time after the actual baseplate installation.

Permanent Baseplate Safety Cable Installation

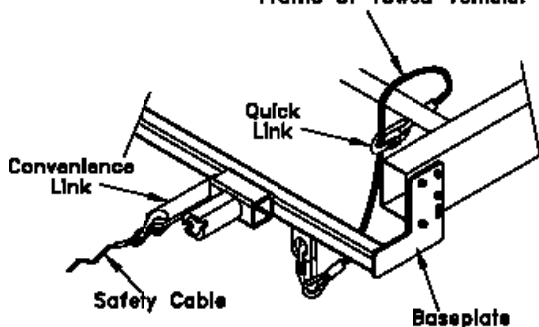
Permanent baseplate safety cables are strongly recommended when towing a vehicle with a tow bar. The principle function of the permanent baseplate safety cables is to prevent the towed vehicle from breaking loose in the event the connection between the frame of the towed vehicle and the baseplate fails or becomes disconnected. The cables must be connected from the baseplate to the frame rail or cross member of the vehicle's frame. The illustrations below show the possible arrangements recommended by Blue Ox®. Each permanent baseplate safety cable must have an adequate weight rating for the towing system. The weight rating of the two (2) cables together will not qualify.

Do not mount the permanent baseplate safety cables against wires, hoses or brake lines.

These permanent baseplate safety cables should remain installed as long as the baseplate is installed on the vehicle. Permanent baseplate safety cables are to be used in conjunction with, and NOT a replacement for legally required safety cables attaching the towed vehicle to the towing vehicle.

OPTION #1

Permanent Baseplate Safety Cables to Cross Member or Frame of Towed Vehicle.



OPTION #2

Permanent Baseplate Safety Cables to Cross Member or Frame of Towed Vehicle.

