



# BX2643

## 2010-18 Ford Taurus / Taurus SHO (Includes Adaptive Cruise Control) Installation Instructions

Please read **BOTH** these Installation Instructions and the General Instructions prior to installing or operating this equipment.

- Blue Ox® towing products and accessories are intended to be installed by Blue Ox® Dealers who are familiar with our products and have the equipment and knowledge necessary to do “it work”.
- Many Blue Ox® baseplates are designed to use existing holes and hardware to mount the baseplate to the towed vehicle. Even though bolts are there, do not assume they are adequate for baseplate mounting. Always use the hardware supplied in the hardware kit and existing hardware as specified in the installation instructions.

**Attachment Tab Height: 12-1/2”**

**Attachment Tab Width: 17”**

### Bolt Torque Specifications

Torque in Foot-Pounds for Inch Bolts

Bolt Size	Grade 5	Grade 8
1/4”	10	14
5/16”	19	29
3/8”	33	47
7/16”	54	78
1/2”	78	119
5/8”	154	230
3/4”	257	380



### Bolt Torque Specifications

Torque in Foot-Pounds for Metric Bolts

Bolt Size	Grade 8.8	Grade 10.9
6MM	6	8
8MM	16	22
10MM	31	40
12MM	54	70
14MM	89	117
16MM	161	230
18MM	222	318



## WARNING

Failure to read and follow these instructions could result in separation of the towed vehicle from the tow bar, causing property damage, loss of towed vehicle, personal injury or death.

Reference your vehicle owner’s manual for manufacturer’s towing specifications.

BX2643  
2010-18 Ford Taurus / Taurus SHO  
(Includes Adaptive Cruise Control)  
Installation Instructions

**Instruction Notes:** The fascia and windshield washer fluid reservoir are removed and reinstalled for the baseplate installation. Some drilling and trimming is required.

Place all components that are removed on a flat, sturdy surface. All items will be reinstalled unless otherwise noted after the baseplate is installed.

The dimensional variations between otherwise identical vehicles can be considerable. While the baseplate was designed for easy installation, it may be necessary to tailor the baseplate slightly to compensate for vehicle manufacturer's tolerances.

The BX8848 4-Diode Wiring Kit is recommended for this vehicle.

## ***NOTICE***

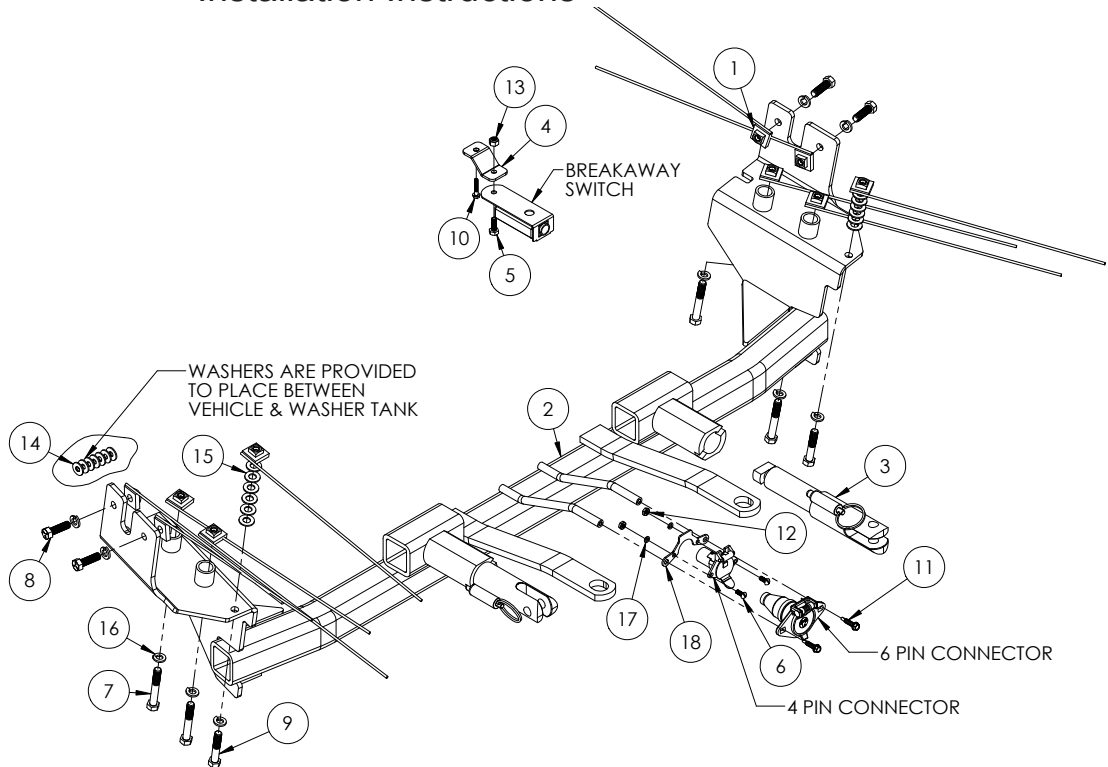
- Handling of some cosmetic parts when installing this product may require the use of protective covers, rags, specialty tools, etc. to prevent damage.
- When using power drills be aware of the dangers of torque and drill bit length.
- When using a reciprocating saw be aware of objects behind the cutting surface.
- Use a good quality paint to spray cut edges of frame to prevent rusting.
- Be sure that **ALL** electrical connections are plugged in and accessories are functioning properly before reinstalling the fascia.
- The baseplate is computer tested to your vehicle's GVWR, exceeding this weight will void the manufacturer's warranty.
- Be sure to use a sufficient amount of Loctite® Red on all bolt threads before tightening. Tighten all bolts according to the torque chart provided.
- Dealer or installer be certain the user receives these instruction sheets.
- If the baseplate is in an accident, it must be replaced. **DO NOT** use it again! An accident can cause unseen damage and using it again could result in more damage or serious injury. **DO NOT** use the baseplate if it is damaged or missing parts.

# BX2643

## 2010-18 Ford Taurus / Taurus SHO (Includes Adaptive Cruise Control) Installation Instructions

### Tools Required

Large Vise Grip  
 Flat Screwdriver  
 Utility Knife  
 Phillips Screwdriver  
 Torque Wrench  
 Drill  
 Tape Measure  
 Loctite® RED  
 13/32" Drill Bit  
 5.5MM Socket  
 8MM Socket  
 10MM Socket  
 11MM Socket  
 9/16" Socket



Item No.	Part No.	Description	Qty.
1.....	61-5208.....	3/8"-16 Nut Plate w/ 14" Wire.....	10
2.....	61-7178.....	BX2643 Baseplate.....	1
3.....	62-3469.....	Attachment Tab Assembly with Hole.....	2
4.....	101-7599.....	Breakaway Bracket.....	1
5.....	201-0050.....	1/4"-20 x 3/4" Hex Head Bolt, Grade 5, ZP.....	3
6.....	201-0192.....	#10-32 1/2" Round Slotted Head Screw.....	2
7.....	201-0336.....	3/8"-16 x 2-1/2" Hex Head Bolt, Grade 5, ZP.....	4
8.....	201-0368.....	3/8"-16 x 1-1/4" Hex Head Bolt, Grade 5, ZP.....	4
9.....	201-0444.....	3/8"-16 x 2" Hex Head Bolt, Grade 5, ZP.....	2
10.....	201-0654.....	#10-16 x 1" Self Drilling Screw, ZP.....	1
11.....	201-0979.....	#12-14 x 1" Self Drilling Screw, ZP.....	2
12.....	202-0047.....	#10-32 Hex Nut.....	2
13.....	202-0102.....	1/4"-20 Hex Nylon Lock Nut, ZP.....	3
14.....	203-0001.....	1/4" Flat Washer, ZP.....	7
15.....	203-0003.....	3/8" Flat Washer, ZP.....	12
16.....	203-0010.....	3/8" Lock Washer, ZP.....	10
17.....	203-0054.....	#10 Lock Washer, ZP.....	2
18.....	299-0685.....	4-Way Bracket.....	1
19.....	102-7401(not shown).....	ACC Support Bracket.....	1
20.....	226-0046(not shown).....	Class III Safety Cables.....	2
21.....	229-0359(not shown).....	3/8" Quicklink, ZP.....	2
22.....	290-0437(not shown).....	Black Cap Plug Receiver.....	2

### **Important:**

Use only genuine factory replacement parts on your baseplate. Do **NOT** substitute homemade or non-typical parts. If a bolt is lost or in need of replacement, for your safety and the preservation of your baseplate, be sure to use a replacement bolt of the same grade (In most cases it will be Grade 5, please reference the parts list above). Replacement parts may be ordered through your nearest Blue Ox® Dealer or Distributor. Failing to follow and/or altering these installation instructions in either installation or required equipment will void the manufacturer's warranty. Towing behind a non-motorized vehicle will void the warranty.

BX2643  
2010-18 Ford Taurus / Taurus SHO  
(Includes Adaptive Cruise Control)  
Installation Instructions



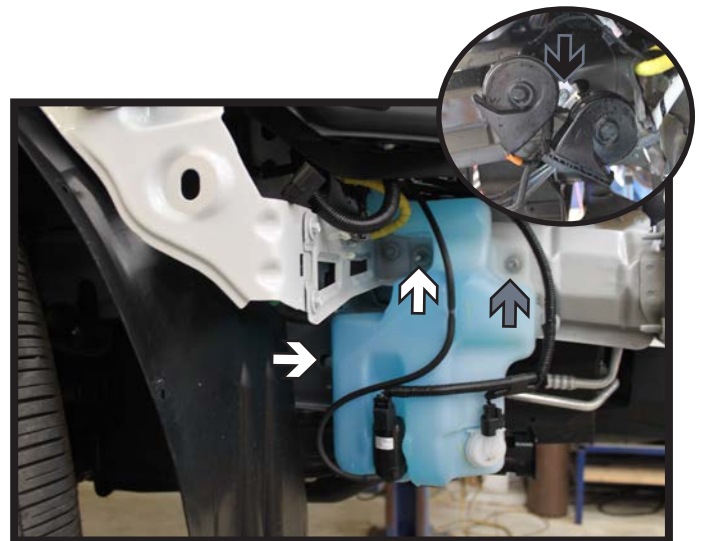
1. On the top edge of the fascia, using a 10MM Socket, remove the two (2) screws (white). Remove the one (1) push pin (black). Then using a phillips screwdriver, remove the four (4) screws (gray). Do this on both sides of the vehicle.



2. In the wheel well, using a 5.5MM socket, remove the three (3) screws from the outer edge (white). Remove the push pin from the upper outer edge (gray). Do this on both sides of the vehicle.



3. Remove the five (5) push pins from the underside of the fascia (white). Then using an 8MM socket, remove screw on the inner edge of the wheel well, there is one (1) on either side of the vehicle (gray). Remove the fascia from the vehicle disconnecting all electrical connections and set aside.



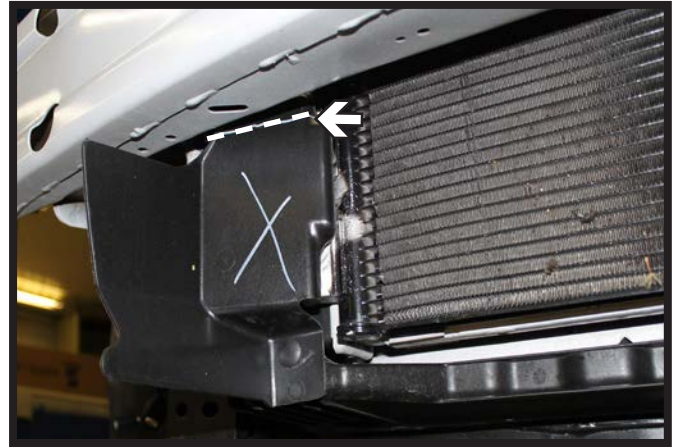
4. Using a 11MM socket, remove the two (2) screws from the inner edge of the washer fluid reservoir (white). Then using an 8MM socket, remove the outer screw (gray). Disconnect all lines and set reservoir aside. Using an 8MM socket, remove the one (1) screw (black) attaching the horn assembly to the frame on the driver side of the vehicle (inset).



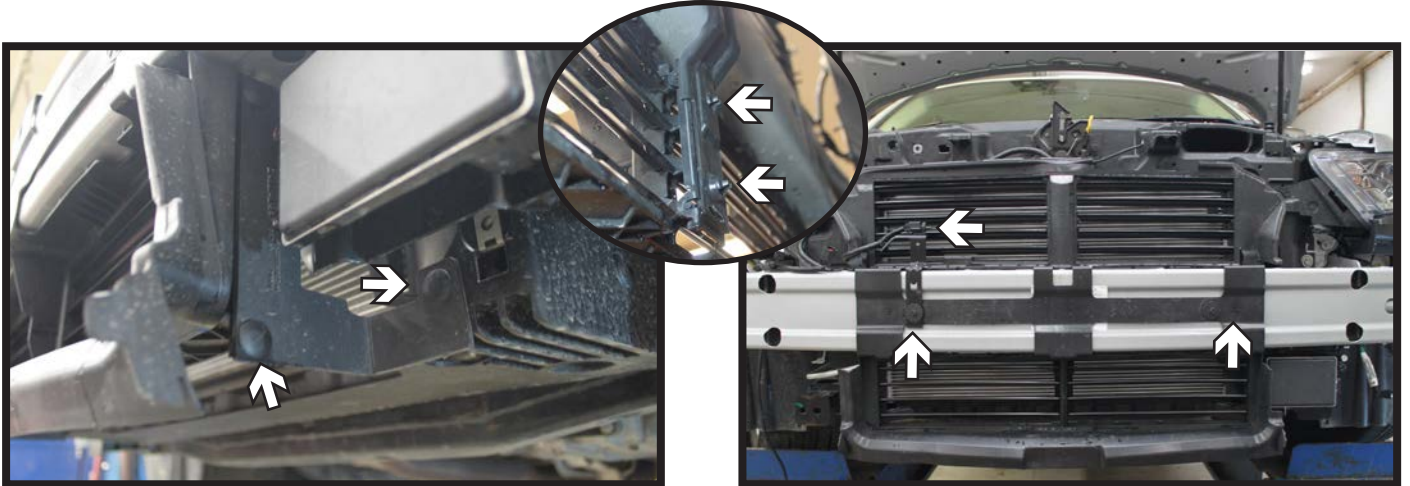
BX2643  
2010-18 Ford Taurus / Taurus SHO  
(Includes Adaptive Cruise Control)  
Installation Instructions



5. **ACC Models:** Align the support bracket as shown, mark holes, then using a 1/4" drill bit, drill the two (2) holes. Install 1/4"-20 x 3/4" bolts and 1/4"-20 nuts (white). Using a reciprocating saw trim off the outer edge (gray).



6. **Taurus SHO Models:** On the passenger side, using a utility knife, trim off the plastic shrouding from the underside of the bumper.



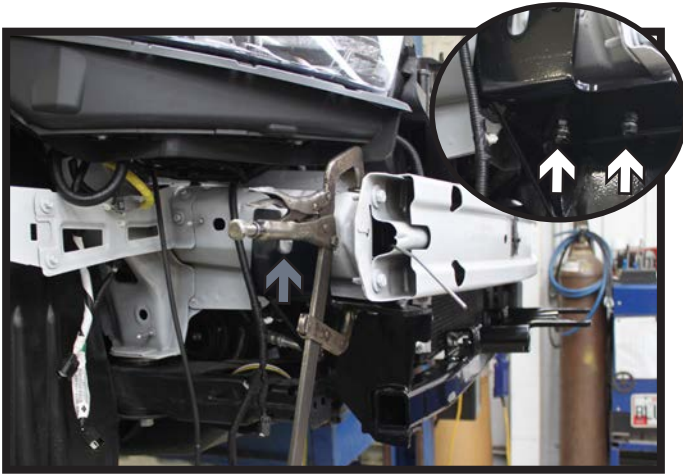
6. **Taurus Models:** Remove the two (2) push pins from the side of the air dam (left). Do this on both sides of the vehicle.

Using an 8MM socket, remove the two (2) screws from the bumper. Unclip the air temperature sensor and place to the side (right).

On the backside of the air shutter there are three (3) clamps. Tightly squeeze the clamp button to release. There are three (3) buttons on each clamp, two (2) towards the bottom and one (1) towards the top (middle Inset).

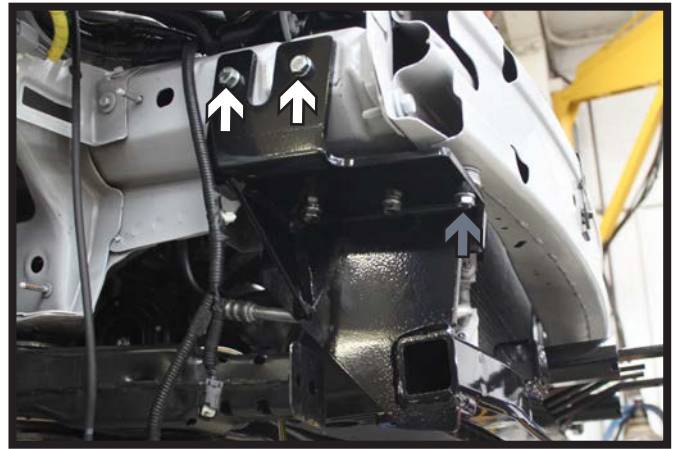
Remove the shutter system from the vehicle and set aside.

BX2643  
2010-18 Ford Taurus / Taurus SHO  
(Includes Adaptive Cruise Control)  
Installation Instructions



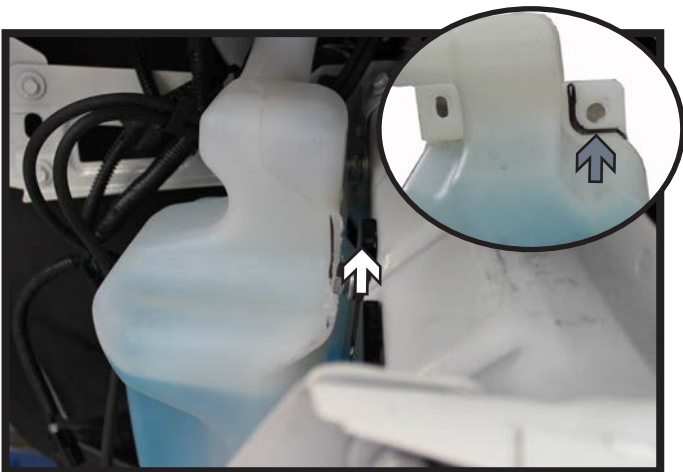
7. Center the baseplate between the frame rib on each side (gray). Level the baseplate and securely clamp in place. On the underside of the baseplate, using a  $17/32$ " drill bit, drill the bottom two (2) holes through the frame. Install  $3/8$ "-16 x  $2-1/2$ " bolts with  $3/8$ "-16 x  $2-1/2$ " bolts with  $3/8$ "-16 nut plates into the holes, using the opening in the bumper for nut plate installation (white). Do this on both sides of the vehicle. Tighten all fasteners.

\*\* Use Loctite® Red on all bolt threads and tighten all bolts to the appropriate torque.

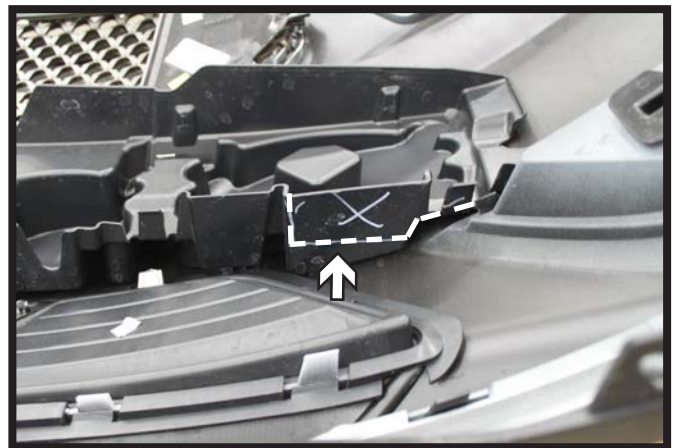


8. Using a  $3/8$ " drill bit, drill the remaining three (3) holes thru the frame and bumper. Install two (2)  $3/8$ "-16 x  $1-1/4$ " bolts and  $3/8$ "-16 nut plates into the top holes (white). In the lower bumper hole, install a  $3/8$ "-16 x  $2$ " bolt with  $3/8$ "-16 nut with  $3/8$ " washers in between the bumper & baseplate as a spacer (gray). Do this on both sides of the vehicle. Tighten all fasteners.

\*\* Use Loctite® Red on all bolt threads and tighten all bolts to the appropriate torque.



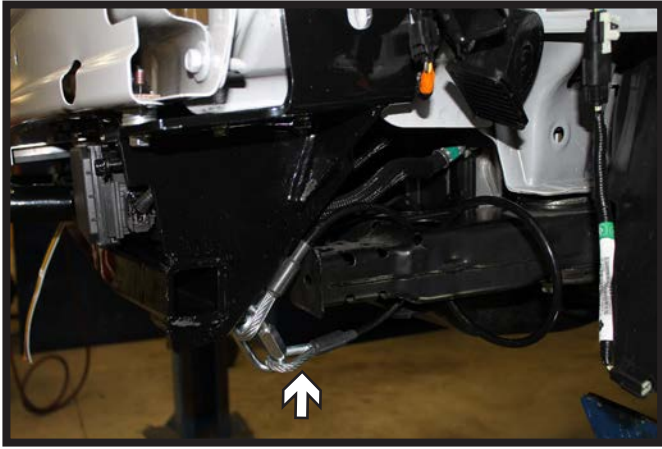
9. Mark and trim the front tab of the washer fluid reservoir (gray). Reinstall the reservoir, using the supplied  $1/4$ " washers as a spacer on the top rear hole (white).



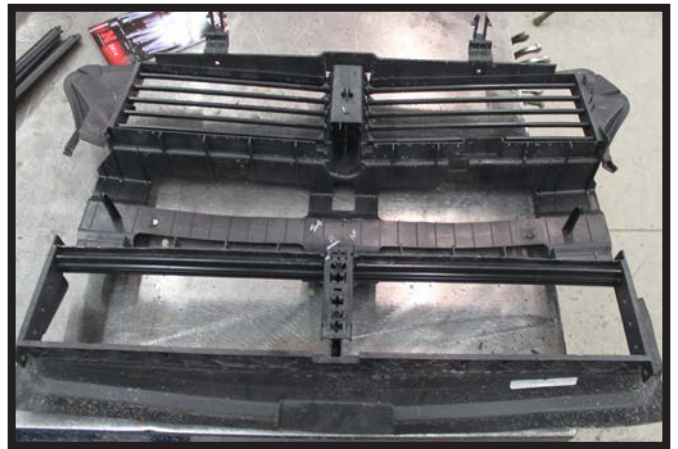
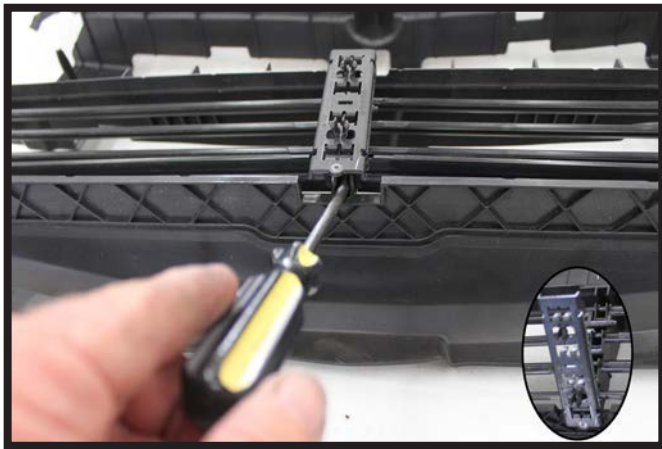
10. On the backside of the fascia, mark and trim the fascia as shown. Do this on both sides of the fascia.



BX2643  
2010-18 Ford Taurus / Taurus SHO  
(Includes Adaptive Cruise Control)  
Installation Instructions



11. Attach the permanent baseplate safety cables to the provided convenience link on the baseplate. The photo above shows the recommended installation of the cables to frame of vehicle. Additional options may interfere with suggested mounting; in this case, secure the cables to a solid piece of the frame as described in the instructions included with the permanent baseplate safety cables. Be sure the safety cables do not rub against any hoses or moving parts. Do this on **BOTH** sides of the vehicle.

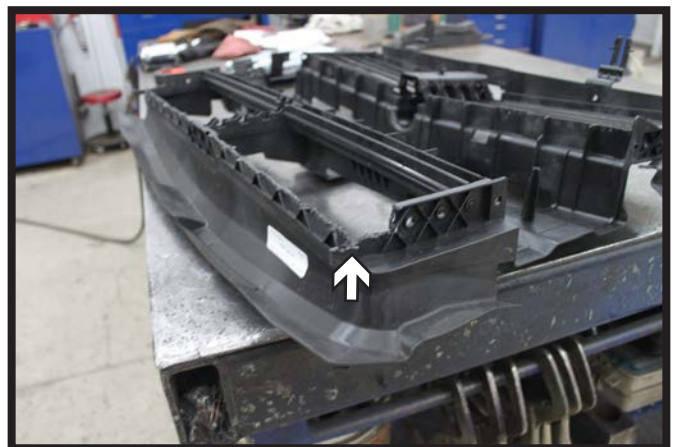


12. **Taurus Models:** Lay the air shutter on a flat, sturdy surface. Insert a flat screwdriver into the lower portion of the air shutter bracket and pop up. (Left)

Lift up on the air shutter bracket and using the flat screwdriver pry the bottom three (3) shutters out. (Right)

NOTE: Be sure to save the shutters so they can be replaced in the event the baseplate would be removed.

13. **Taurus Models:** Trim the lower section of the shutter as shown for clearance around the baseplate.



BX2643  
2010-18 Ford Taurus / Taurus SHO  
(Includes Adaptive Cruise Control)  
Installation Instructions



14. Hold the fascia up as close to its original position as possible. Mark and trim around the attachment tabs and convenience links. Reinstall the fascia.





# General Information

1. **It is the owner's responsibility to inspect all towing equipment for cracked welds, missing or worn parts and loose bolts before each towing trip.** Be sure to use Loctite® Red on all bolts and tighten to the recommended specifications.
2. **It is the owner's responsibility to hook up all towing equipment per manufacturer's instructions/ recommendations.**
3. Remove the attachment tabs when not in use (if applicable).

## Notice To Baseplate Installer

1. **It is YOUR responsibility to watch for:**

- Oil cooler and air conditioner lines
- Electrical wires and hoses
- Missing parts or attaching points on the frame

\*\* If the baseplate is improperly installed and is against a wire or hose, it could cause fluid leaks or electrical shorts some time after the actual baseplate installation.

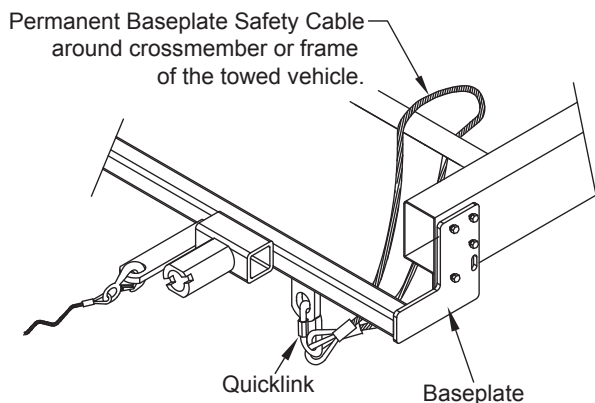
## Permanent Baseplate Safety Cable Installation

Permanent baseplate safety cables are strongly recommended when towing a vehicle with a tow bar. The principle function of the permanent baseplate safety cables is to prevent the towed vehicle from breaking loose in the event the connection between the frame of the towed vehicle and the baseplate fails or becomes disconnected. The cables must be connected from the baseplate to the frame rail or cross member of the vehicle's frame. The illustrations below show the possible arrangements recommended by Blue Ox®. Each permanent baseplate safety cable must have an adequate weight rating for the towing system. The weight rating of the two (2) cables together will not qualify.

***Do not mount the permanent baseplate safety cables against wires, hoses or brake lines.***

These permanent baseplate safety cables should remain installed as long as the baseplate is installed on the vehicle. Permanent baseplate safety cables are to be used in conjunction with, and NOT a replacement for legally required safety cables attaching the towed vehicle to the towing vehicle.

(Baseplates with Convenience Link Tabs)



(Baseplates with out Convenience Link Tabs)

