



## BX2167 Installation Instructions 2003-07 Ford Expedition 2003-06 Lincoln Navigator

Drilling is required. No trimming is required. Factory tow hooks will not be reinstalled. The BX8869 is available for the vehicle. Attachment Tabs are 29 1/2 inches center to center and a height of 15 inches.



1. Remove the two metric bolts from the bottoms side of tow hooks using the 15MM socket, both sides. Factory tow hooks will not be reinstalled.



2. Align base plate, item 1 and 2, (note locations) with holes for tow hooks and tighten existing bolts using existing nut plate. If tow hooks were not available with your vehicle, insert wire nuts, item 3, into opening on frame to align with existing holes on bottom of frame, tighten 1/2 bolt and lock washer, items 4 and 5. **Be sure and use loctite on all bolts before tightening. Torque all bolts according to torque chart in General Instruction Sheet.**

3. Using the baseplate as a template, drill the remaining holes with the 17/32" drill bit. Insert wire nut into opening on frame to align with drilled holes and tighten 1/2-13 x 1 3/4" bolt and lock washer. **Be sure and use loctite on all bolts before tightening. Torque all bolts according to torque chart in General Instruction Sheet.**



View of driver's side.



Strong As An Ox™

## Tools Required

15MM Socket

Loctite

17/32" Drill Bit

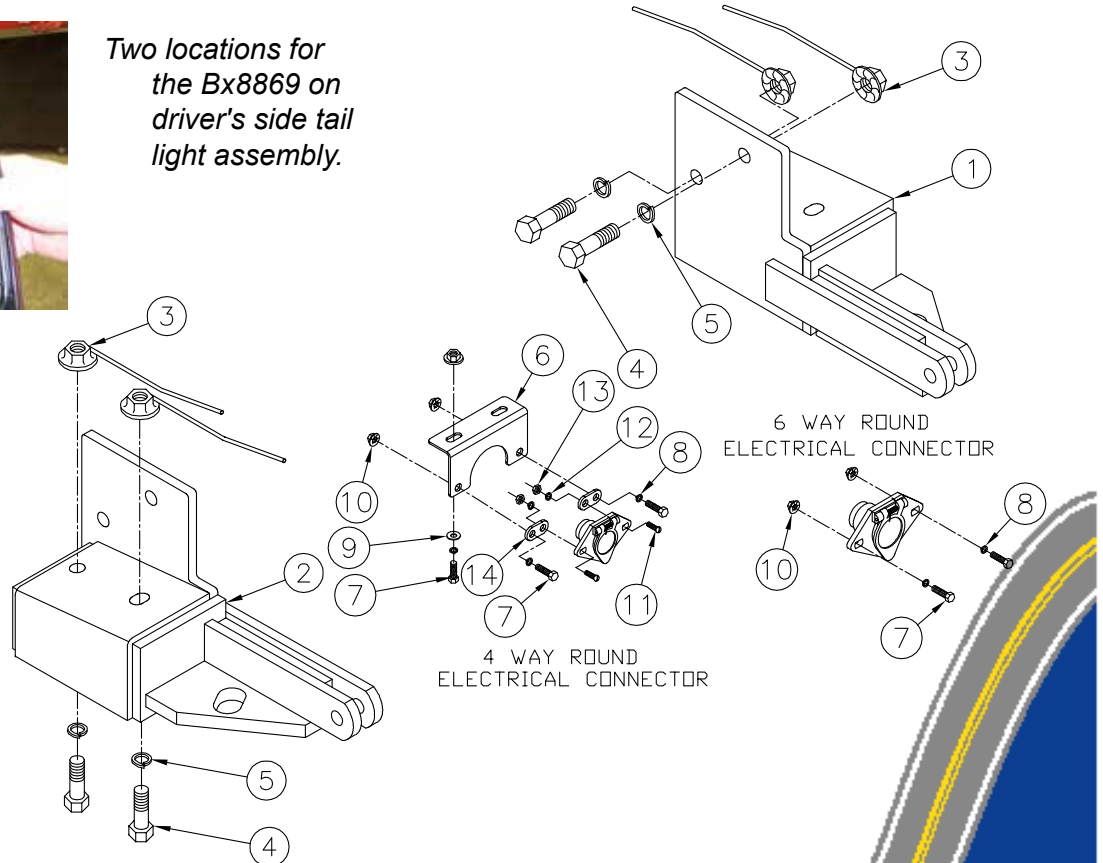
9/16" Socket

## Parts List

Ref. No.	Qty.	Part No.	Description
1	1	61-5889	Weldment, Base Plate, DS, BX2167
2	1	61-5890	Weldment, Base Plate, PS, BX2167
3	8	61-4029	1/2" Nut Plate, with Wire
4	8	201-0068	1/2-13 x 1 3/4 Bolt, Grd. 5, ZP
5	8	203-0012	1/2 Lock Washer, ZP
6	1	101-6135	Electrical, Bracket, BX2160
7	4	201-0569	1/4-20 x 3/4 Hex Bolt, Grd. 5, ZP
8	4	203-0008	1/4 Lock Washer, ZP
9	2	203-0001	1/4 Flat Washer, ZP
10	4	202-0069	1/4-20 Hex Whiz Nut, LocZP
11	2	201-0192	#10-32 x 1/2 Slot, Rd. Hd. Screw
12	2	203-0054	#10 Lock Washer
13	2	202-0047	#10-32 Hex Nut
14	2	101-5822	Adapter, 4 Way Connector
	2	226-0049	Baseplate Safety Cable, 36" CL IV (Not Shown)
	4	229-0512	Quicklink, 1/2, ZP (Not Shown)



Two locations for the Bx8869 on driver's side tail light assembly.



**IMPORTANT:** Use only genuine factory replacement parts on your Base Plate. Do not substitute homemade or nontypical parts. If a bolt is lost or in need of replacement, for your safety and the preservation of your Base Plate, be sure to use a replacement bolt of the same grade (Usually Grade 5, refer to parts list). Repair parts may be ordered through your nearest **Blue Ox** dealer or distributor.

# General Information

1. It is the owner's responsibility to inspect all towing equipment for cracked welds, missing or worn parts and loose bolts before each towing trip. Be sure to use Loctite® Red on all bolts and tighten to the recommended specifications.
2. It is the owner's responsibility to hook up all towing equipment per manufacturer's instructions/ recommendations.
3. Remove the attachment tabs when not in use (if applicable).

## Notice To Baseplate Installer

### 1. It is YOUR responsibility to watch for:

- Oil cooler and air conditioner lines
- Electrical wires and hoses
- Missing parts or attaching points on the frame

\*\* If the baseplate is improperly installed and is against a wire or hose, it could cause fluid leaks or electrical shorts some time after the actual baseplate installation.

## Permanent Baseplate Safety Cable Installation

Permanent baseplate safety cables are strongly recommended when towing a vehicle with a tow bar. The principle function of the permanent baseplate safety cables is to prevent the towed vehicle from breaking loose in the event the connection between the frame of the towed vehicle and the baseplate fails or becomes disconnected. The cables must be connected from the baseplate to the frame rail or cross member of the vehicle's frame. The illustrations below show the possible arrangements recommended by Blue Ox®. Each permanent baseplate safety cable must have an adequate weight rating for the towing system. The weight rating of the two (2) cables together will not qualify.

***Do not mount the permanent baseplate safety cables against wires, hoses or brake lines.***

These permanent baseplate safety cables should remain installed as long as the baseplate is installed on the vehicle. Permanent baseplate safety cables are to be used in conjunction with, and NOT a replacement for legally required safety cables attaching the towed vehicle to the towing vehicle.

### OPTION #1

Permanent Baseplate Safety Cables to Cross Member or Frame of Towed Vehicle.



### OPTION #2

Permanent Baseplate Safety Cables to Cross Member or Frame of Towed Vehicle.

