



BX1690

2010-16 Cadillac SRX (All Models) Installation Instructions

Attachment Tab Height: 16-1/2"

Attachment Tab Width: 18"

Please read BOTH these Installation Instructions and the General Instructions prior to installing or operating this equipment.

1. Blue Ox® towing products and accessories are intended to be installed by Blue Ox® Dealers who are familiar with our products and have the equipment and knowledge necessary to do "it work".
2. Many Blue Ox® baseplates are designed to use existing holes and hardware to mount the baseplate to the towed vehicle. Even though bolts are there, do not assume they are adequate for baseplate mounting. Always use the hardware supplied in the hardware kit and existing hardware as specified in the installation instructions.

Bolt Torque Specifications		
Torque in Foot-Pounds for Inch Bolts		
Bolt Size	Grade 5	Grade 8
1/4"	10	14
5/16"	19	29
3/8"	33	47
7/16"	54	78
1/2"	78	119
5/8"	154	230
3/4"	257	380



Bolt Torque Specifications		
Torque in Foot-Pounds for Metric Bolts		
Bolt Size	Grade 8.8	Grade 10.9
6MM	6	8
8MM	16	22
10MM	31	40
12MM	54	70
14MM	89	117
16MM	161	230
18MM	222	318

Reference your vehicle owner's manual for manufacturer's towing specifications.

WARNING

Failure to read and follow these instructions could result in separation of the towed vehicle from the tow bar, causing property damage, loss of towed vehicle, personal injury or death.

BX1690
2010-16 Cadillac SRX (All Models)
Installation Instructions

Instruction Notes: The fascia, coolant lines and temperature sensor are removed and reinstalled for the baseplate installation. Some drilling and trimming is required.

Place all components that are removed on a flat, sturdy surface. All items will be reinstalled unless otherwise noted after the baseplate is installed.

The dimensional variations between otherwise identical vehicles can be considerable. While the baseplate was designed for easy installation, it may be necessary to tailor the baseplate slightly to compensate for vehicle manufacturer's tolerances.

The BX8848 4-Diode Tail Light Wiring Kit is recommended for this vehicle.

NOTICE

- Handling of some cosmetic parts when installing this product may require the use of protective covers, rags, specialty tools, etc. to prevent damage.
- When using power drills be aware of the dangers of torque and drill bit length.
- When using a reciprocating saw be aware of objects behind the cutting surface.
- Use a good quality paint to spray cut edges of frame to prevent rusting.
- Be sure that **ALL** electrical connections are plugged in and accessories are functioning properly before reinstalling the fascia.
- The baseplate is computer tested to your vehicle's GVWR, exceeding this weight will void the manufacturer's warranty.
- Be sure to use a sufficient amount of Loctite® Red on all bolt threads before tightening. Tighten all bolts according to the torque chart provided.
- Dealer or installer be certain the user receives these instruction sheets.
- If the baseplate is in an accident, it must be replaced. **DO NOT** use it again! An accident can cause unseen damage and using it again could result in more damage or serious injury. **DO NOT** use the baseplate if it is damaged or missing parts.

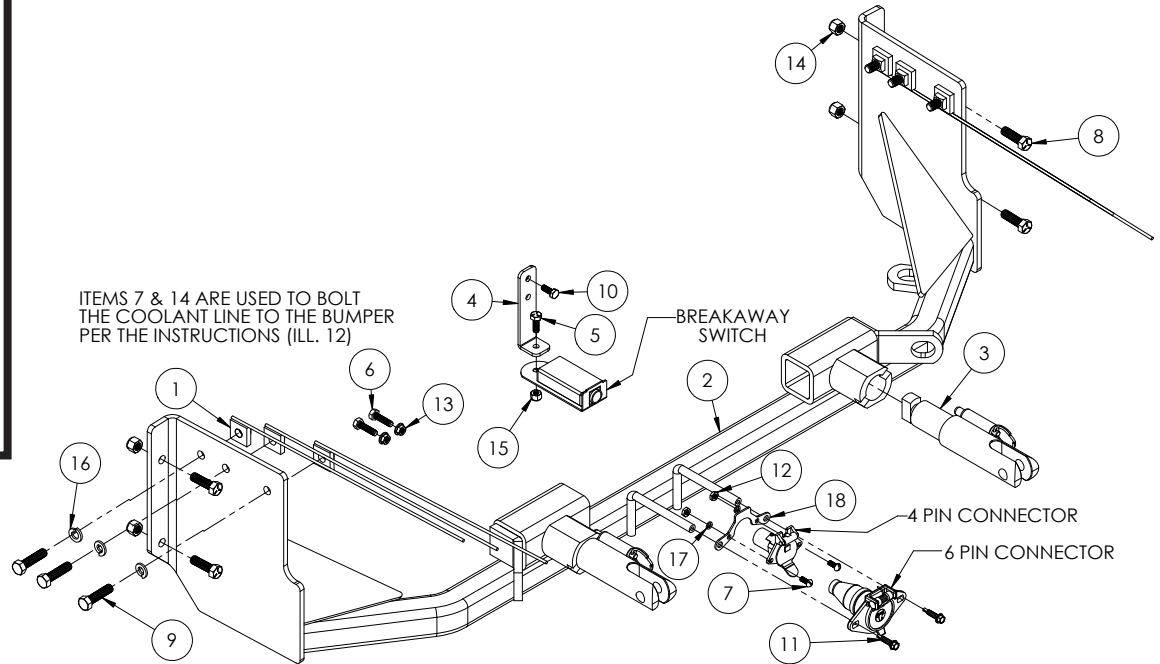
BX1690

2010-16 Cadillac SRX (All Models)

Installation Instructions

Tools Required

Large Vise Grip
 Flat Screwdriver
 Phillips Screwdriver
 Utility Knife
 Torque Wrench
 Drill
 Tape Measure
 Loctite® RED
 1/4" Drill Bit
 13/32" Drill Bit
 1-1/4" Hole Saw
 7MM Socket
 10MM Socket
 9/16" Socket
 9/16" Wrench
 15 Torx



Item No.	Part No.	Description	Qty.
1.....	61-5208.....	3/8"-16 Nut Plate w/ 14" Wire.....	6
2.....	61-7068.....	BX1690 Baseplate.....	1
3.....	62-3468.....	Attachment Tab.....	2
4.....	102-7186.....	Breakaway Bracket.....	1
5.....	201-0050.....	1/4"-20 x 3/4" Hex Head Bolt, Grade 5, ZP.....	1
6.....	201-0071.....	1/4"-20 x 1" Hex Head Bolt, Grade 5, ZP.....	2
7.....	201-0192.....	#10-32 x 1/2" Slotted Round Head Screw.....	2
8.....	201-0368.....	3/8"-16 x 1-1/4" Hex Head Bolt, Grade 5.....	4
9.....	201-0440.....	3/8"-16 x 1-1/2" Hex Head Bolt, Grade 5, ZP.....	6
10.....	201-0461.....	6MM-1.0 x 16MM Hex Cap Bolt, Grade 8.8, ZP.....	1
11.....	201-0979.....	#12-14 x 1" Self Drilling Screw, ZP.....	2
12.....	202-0047.....	#10-32 Hex Nut.....	2
13.....	202-0069.....	1/4"-20 Hex Flange Whiz Lock Nut, ZP.....	2
14.....	202-0090.....	3/8"-16 Hex Nylon Insert Lock Nut, ZP.....	4
15.....	202-0102.....	1/4"-20 Hex Nylon Nut, ZP.....	1
16.....	203-0010.....	3/8" Lock Washer, ZP.....	6
17.....	203-0054.....	#10 Lock Washer.....	2
18.....	299-0685.....	Electrical Bracket, ZP.....	1
19.....	226-0049(not shown).....	Class IV Safety Cables.....	2
20.....	229-0512(not shown).....	1/2" Quicklink, ZP.....	2
21.....	290-0437(not shown).....	Black Cap Plug Receiver.....	2

Important:

Use only genuine factory replacement parts on your baseplate. Do **NOT** substitute homemade or non-typical parts. If a bolt is lost or in need of replacement, for your safety and the preservation of your baseplate, be sure to use a replacement bolt of the same grade (In most cases it will be Grade 5, please reference the parts list above). Replacement parts may be ordered through your nearest Blue Ox® Dealer or Distributor. Failing to follow and/or altering these installation instructions in either installation or required equipment will void the manufacturer's warranty. Towing behind a non-motorized vehicle will void the warranty.

BX1690
2010-16 Cadillac SRX (All Models)
Installation Instructions



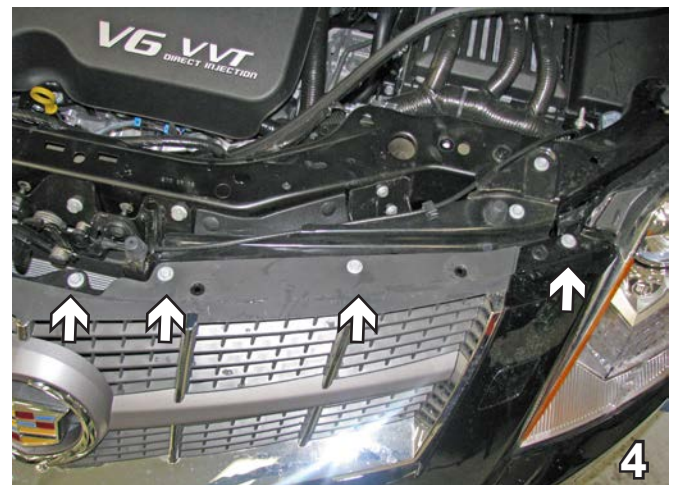
1. Remove the two (2) push pins on each side from the top edge of the fascia. Do this to both sides of the vehicle.



2. Remove the push pins from the center of the front.

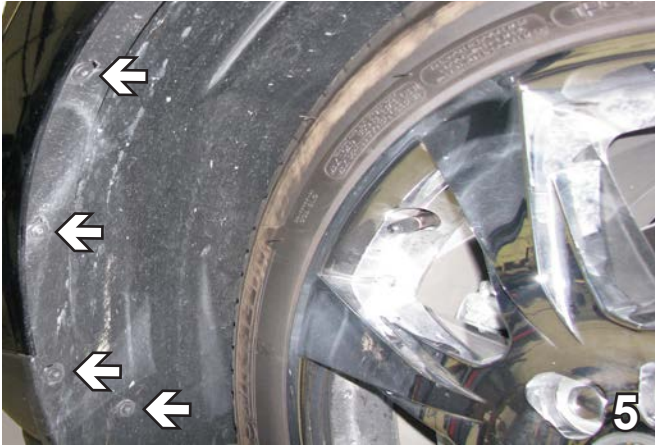


3. Remove the rubber piece across the top by pulling it to unhook it. Push hard on both sides to release the christmas tree clip.



4. Using a 10MM socket, remove seven (7) bolts across the top, three (3) per side and one (1) in the middle.

BX1690
2010-16 Cadillac SRX (All Models)
Installation Instructions



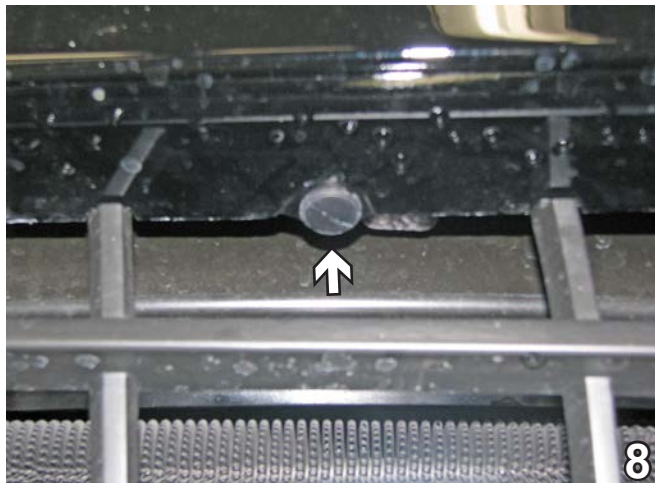
5. Using a Phillips screwdriver, remove four (4) screws just forward of the front tire on the edge of the wheel well. Do this to both sides of the vehicle.
Note: On 2015 models use a 15 Torx in place of the Philips screwdriver.



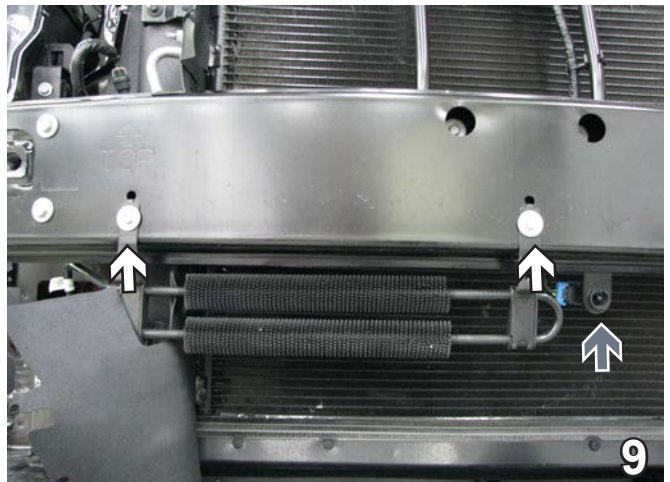
6. Pull the wheel well cover back, using a 7MM socket remove one (1) bolt from the inside corner of the fascia. Do this to both sides of the vehicle.



7. Using a 7MM socket, remove twelve (12) bolts across the bottom of the belly pan.

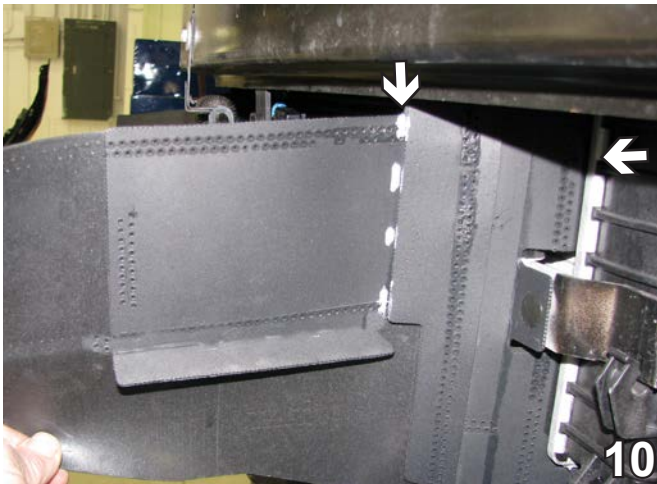


8. **2010-14 Models:** Remove two (2) push pins in the front, one (1) per side.
Pull fascia forward and set aside carefully.

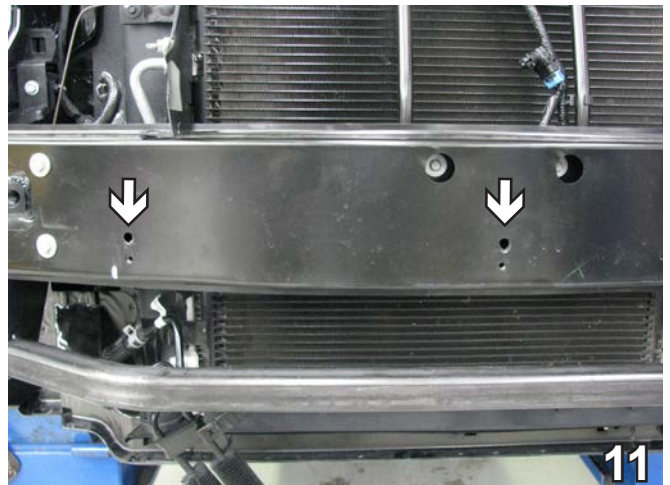


9. Using a 10MM socket, remove the two (2) bolts and the coolant line.
2010-14 models only: Remove the push pin from the backside of the temperature sensor (gray arrow).

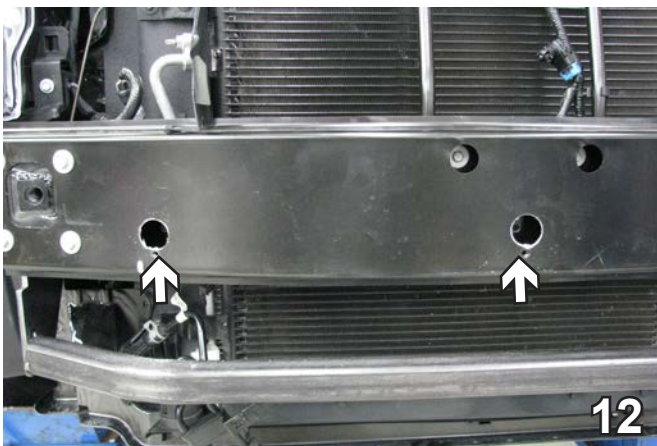
BX1690
2010-16 Cadillac SRX (All Models)
Installation Instructions



10. Trim the plastic, cut straight down along the seam and straight back under the bumper. Do this on both sides.



11. Using a 1/4" drill bit, drill into the holes above where the coolant line bolts were taken out. Drill thru the back side of the bumper.



12. Using the 1-1/4" hole saw, drill out the holes in the face of the bumper for the insertion of the nuts. Reattach the coolant line to the back holes using 1/4"-20 x 1/2" hex bolts and 1/4"-20 whiz nuts.

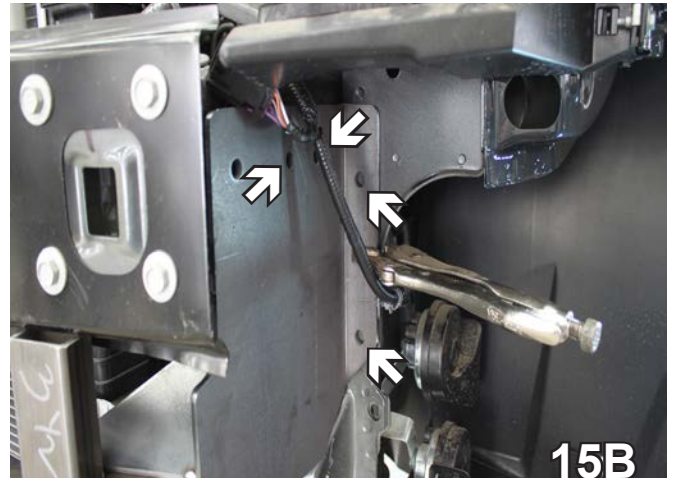
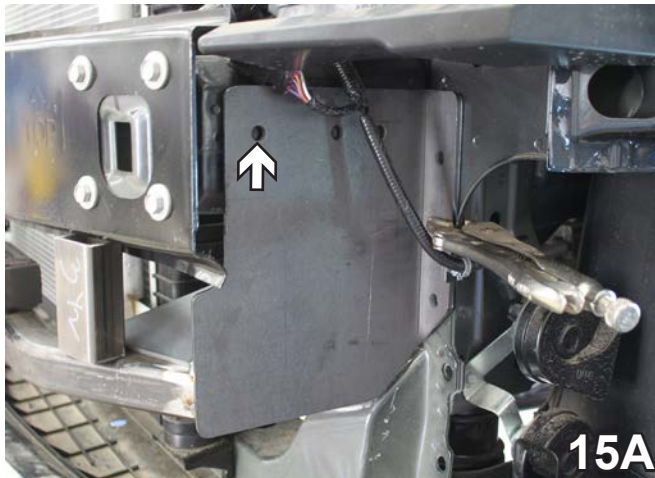


13. On the passenger side, on top where the wires have been removed, using a 1-1/4" hole saw, drill an access hole through two (2) layers.

BX1690
2010-16 Cadillac SRX (All Models)
Installation Instructions



14. Position the baseplate onto the vehicle. Leaving a 3-1/2" gap from the bottom of the bumper to the top of the cross-tube of the baseplate. Level and securely clamp the baseplate to the frame.



15. Using a 13/32" drill bit, drill the top front hole on each side. Install a 3/8"-16 x 1-1/2" bolt, 3/8" lock washer into the hole and 3/8"-16 nut plate on the inside of the frame (15A). Do this on both sides of the vehicle and fully tighten all fasteners. Drill the remaining holes and install the appropriate hardware(15B). Do this on both sides of the vehicle.



16. **2010-14 Models:** Zip tie the temperature sensor to the radiator.

BX1690
2010-16 Cadillac SRX (All Models)
Installation Instructions

17. Attach the permanent baseplate safety cables to the provided convenience link on the baseplate. Additional options may interfere with suggested mounting; in this case, secure the cables to a solid piece of the frame as described in the General Information sheet. Be sure the safety cables do not rub against any hoses or moving parts. Do this on BOTH sides of the vehicle.



18. Reattach the fascia. Some models may require trimming of the lower grille.



General Information

1. It is the owner's responsibility to inspect all towing equipment for cracked welds, missing or worn parts and loose bolts before each towing trip. Be sure to use Loctite® Red on all bolts and tighten to the recommended specifications.
2. It is the owner's responsibility to hook up all towing equipment per manufacturer's instructions/recommendations.
3. Remove the attachment tabs when not in use (if applicable).

Notice To Baseplate Installer

1. It is YOUR responsibility to watch for:

- Oil cooler and air conditioner lines
- Electrical wires and hoses
- Missing parts or attaching points on the frame

** If the baseplate is improperly installed and is against a wire or hose, it could cause fluid leaks or electrical shorts some time after the actual baseplate installation.

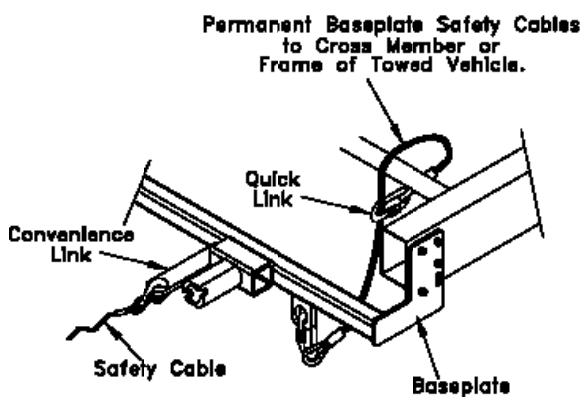
Permanent Baseplate Safety Cable Installation

Permanent baseplate safety cables are strongly recommended when towing a vehicle with a tow bar. The principle function of the permanent baseplate safety cables is to prevent the towed vehicle from breaking loose in the event the connection between the frame of the towed vehicle and the baseplate fails or becomes disconnected. The cables must be connected from the baseplate to the frame rail or cross member of the vehicle's frame. The illustrations below show the possible arrangements recommended by Blue Ox®. Each permanent baseplate safety cable must have an adequate weight rating for the towing system. The weight rating of the two (2) cables together will not qualify.

Do not mount the permanent baseplate safety cables against wires, hoses or brake lines.

These permanent baseplate safety cables should remain installed as long as the baseplate is installed on the vehicle. Permanent baseplate safety cables are to be used in conjunction with, and NOT a replacement for legally required safety cables attaching the towed vehicle to the towing vehicle.

OPTION #1



OPTION #2

