



# **INSTALLATION INSTRUCTIONS**

**VIGOR ROLL BAR FOR 2020 JEEP GLADIATOR (WITH ADJUSTABLE  
SQUARE LIGHT)**

**PART # VIRB09B**


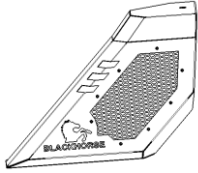


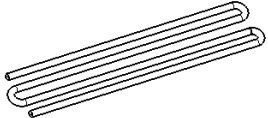
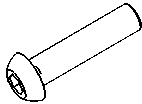
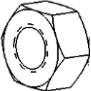

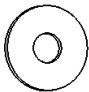

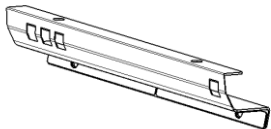

## Before Installation

- Please read the instruction completely for easy installation, which will also help you to avoid scratches or other potential damages to your appealing car.
- The figures here are for reference only and may have differences with the actual product you received, however they share the same assembly way.

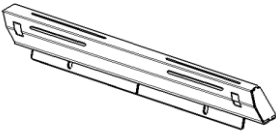
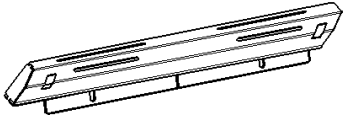

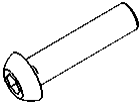
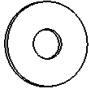

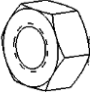
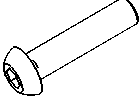
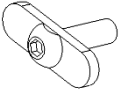
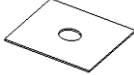
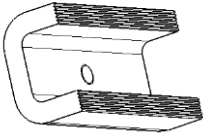
## Care and Cleaning

- Mild soap may be used also to clean the Product.
- Please periodically check and retighten all the hardware and clean the investment for a refresh look.

## Parts list

NO.	QTY	NAME	NO.	QTY	NAME
①	1	 Left installation part	②	1	 Right installation part
③	1	 Connection plate	④	2	 LED light
⑤	1	 LED light line	⑥	6	 Button head allen bolts M8_25
⑦	6	 Hex nut M8	⑧	14	 Spring washer D8
⑨	18	 Flat washer D8	⑩	1	 Allen wrench S=6
⑪	1	 Front bracket (L)	⑫	1	 Front bracket (R)

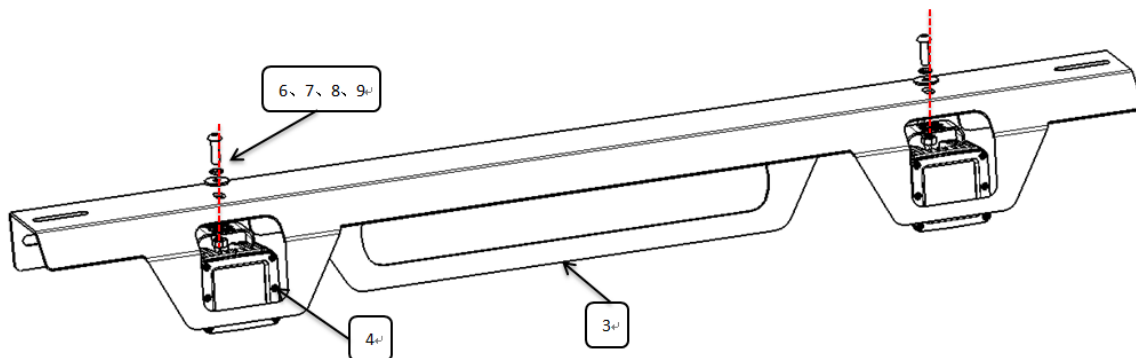
VIGOR ROLL BAR FOR 2020 JEEP GLADIATOR (WITH ADJUSTABLE SQUARE LIGHT)

<p>⑬</p> <p>1</p>	 <p>Rear bracket (L)</p>	<p>⑭</p> <p>1</p>	 <p>Rear bracket (R)</p>
<p>⑮</p> <p>1</p>	 <p>Allen wrench S=5</p>	<p>⑯</p> <p>8</p>	 <p>Button head allen bolts M8_40</p>
<p>⑰</p> <p>16</p>	 <p>Flat washer D10</p>	<p>⑱</p> <p>12</p>	 <p>Spring washer D10</p>
<p>⑲</p> <p>12</p>	 <p>Hex nut M10</p>	<p>⑳</p> <p>4</p>	 <p>Button head allen bolts M10_30</p>
<p>㉑</p> <p>8</p>	 <p>T bolt M10_35</p>	<p>㉒</p> <p>8</p>	 <p>Plastic block</p>
<p>㉓</p> <p>8</p>	 <p>Clamp</p>		

## Installation Steps

### Step1:

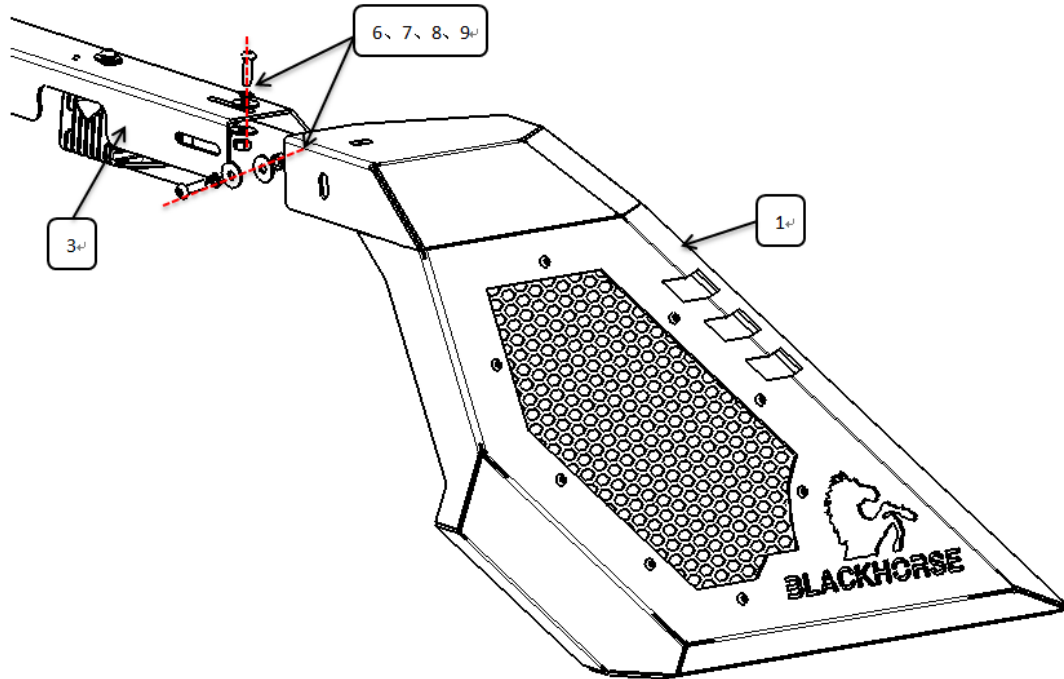
Install ③ and ④ with ⑥⑦⑧⑨ as below diagram shows.



VIGOR ROLL BAR FOR 2020 JEEP GLADIATOR (WITH ADJUSTABLE SQUARE LIGHT)

**Step2:**

Install ① ② ③ and ④ with ⑥ ⑦ ⑧ ⑨ as below diagram shows.



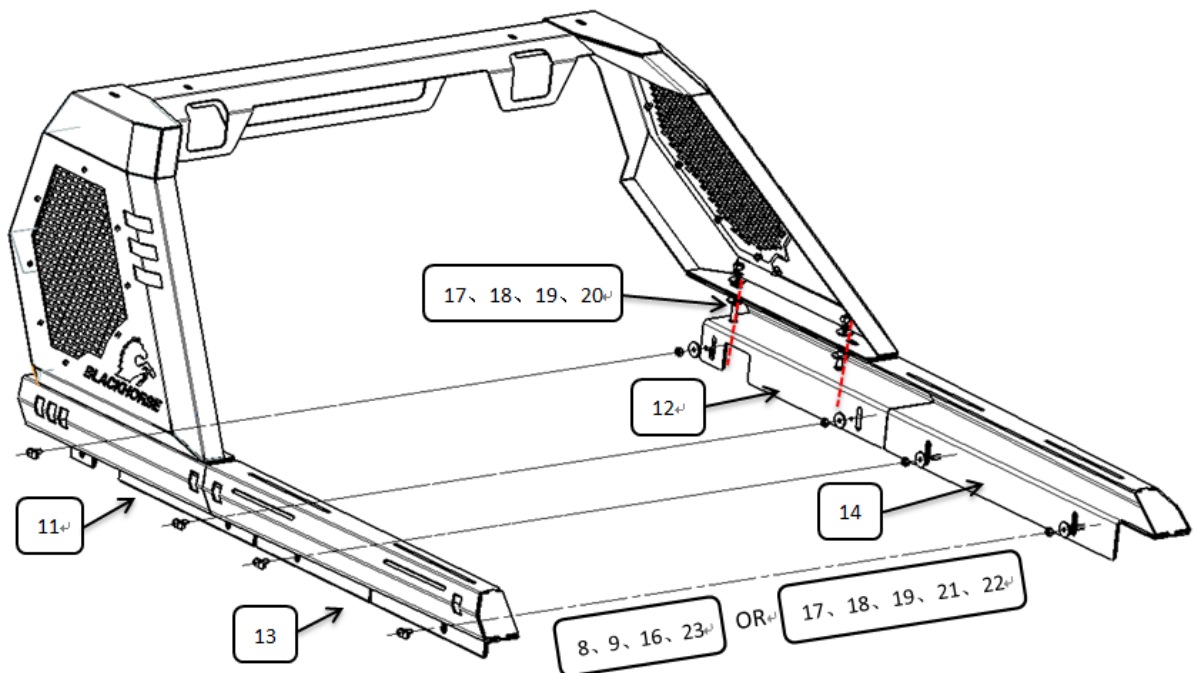
**Step 3: Connect brackets and roll bar with standard parts ⑰ ⑱ ⑲ ⑳ as figure shows.**

**For use without Utility Track in the truck:**

Assemble roll bar with base on the truck with standard parts ⑧ ⑨ ⑰ ⑳.

**For use with Utility Track in the trunk:**

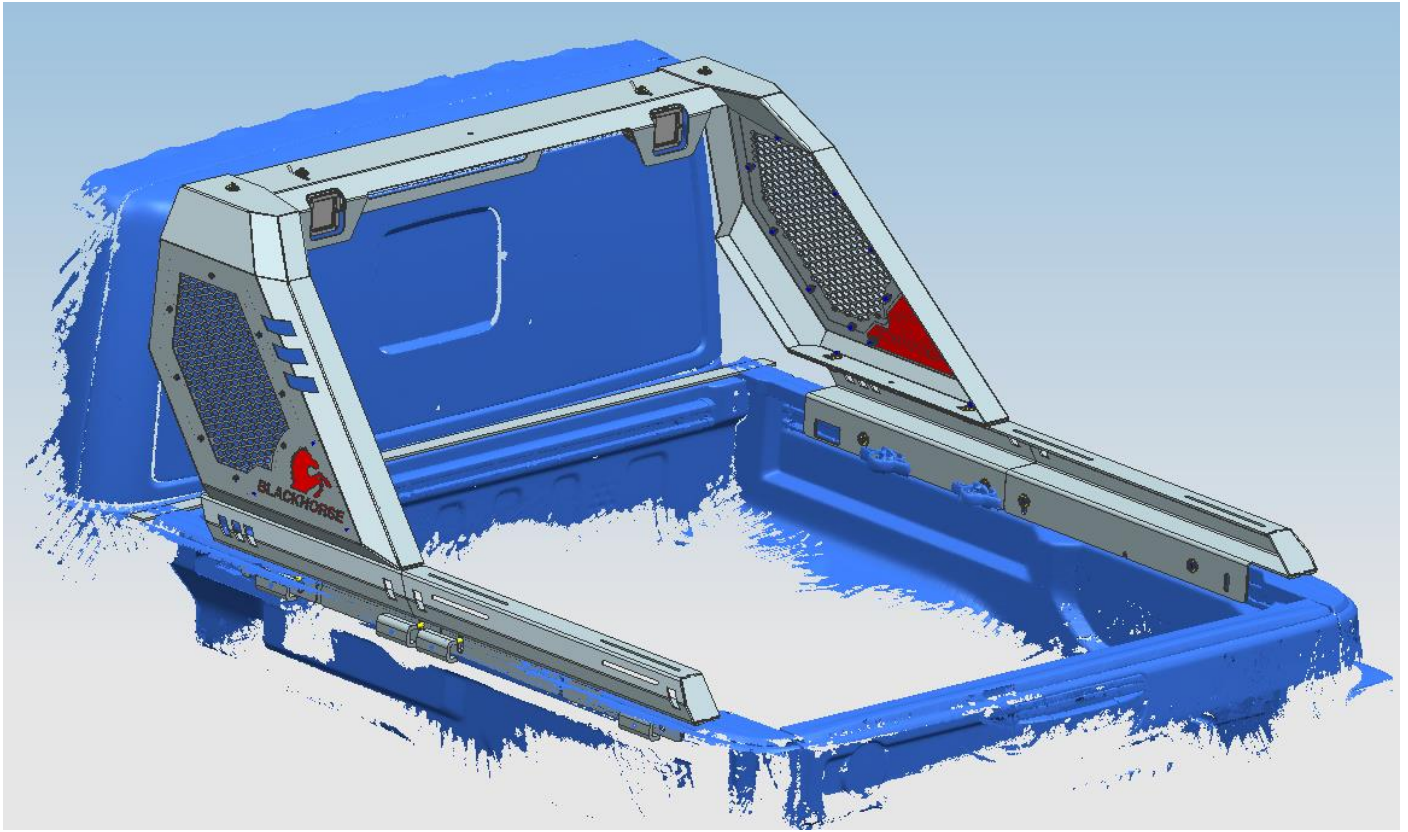
Assemble roll bar with base on the truck with standard parts ⑰ ⑱ ⑲ ㉑ ㉒.



VIGOR ROLL BAR FOR 2020 JEEP GLADIATOR (WITH ADJUSTABLE SQUARE LIGHT)

**Step 4: Test and make sure that the roll bar is steadily fixed, fully tighten all hardware.**

**Step 5: Installation is finished, pick up all tools.**



## NOTE

**Any damages and losses caused by improper installation and application, goes beyond our quality warranty.**