

VIGOR ROLL BAR FOR 19-21 FORD RANGER  
(WITH ADJUSTABLE SQUARE LIGHT)



# **INSTALLATION INSTRUCTIONS**

**VIGOR ROLL BAR FOR 19-21 FORD RANGER (WITH  
ADJUSTABLE SQUARE LIGHT)**

**PART # VIRB08B**

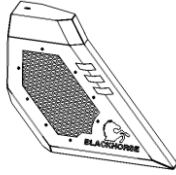
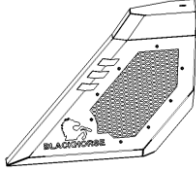


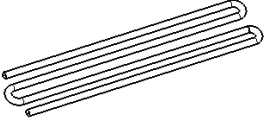
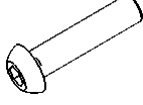
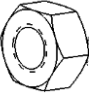



## Before Installation

- Please read the instruction completely for easy installation, which will also help you to avoid scratches or other potential damages to your appealing car.
- The figures here are for reference only and may have differences with the actual product you received, however they share the same assembly way.

## Care and Cleaning

- Mild soap may be used also to clean the Product.
- Please periodically check and retighten all the hardware and clean the investment for a refresh look.

## Parts list

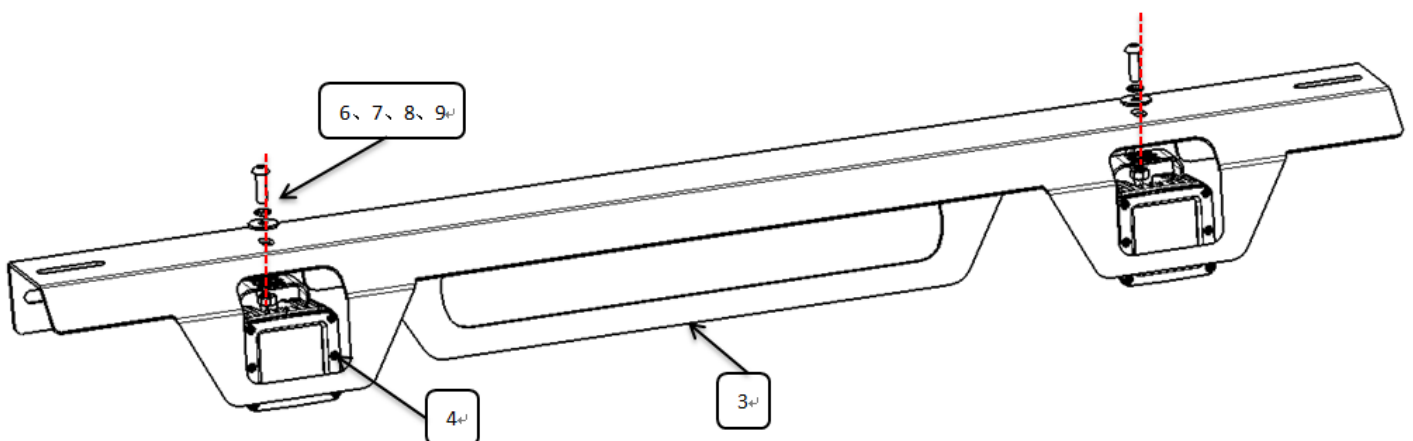
NO.	QTY	NAME	NO.	QTY	NAME
①	1	 Left installation part	②	1	 Right installation part
③	1	 Connection plate	④	2	 LED light
⑤	1	 LED light line	⑥	6	 Button head allen bolts M8_25
⑦	6	 Hex nut M8	⑧	6	 Spring washer D8
⑨	10	 Flat washer D8	⑩	1	 Allen wrench S=5

VIGOR ROLL BAR FOR 19-21 FORD RANGER  
(WITH ADJUSTABLE SQUARE LIGHT)

⑪	1		⑫	1	
⑬	1		⑭	1	
⑮	1		⑯	4	
⑰	8		⑱	16	
⑲	12		⑳	4	
㉑	2		㉒	2	

### Installation Steps

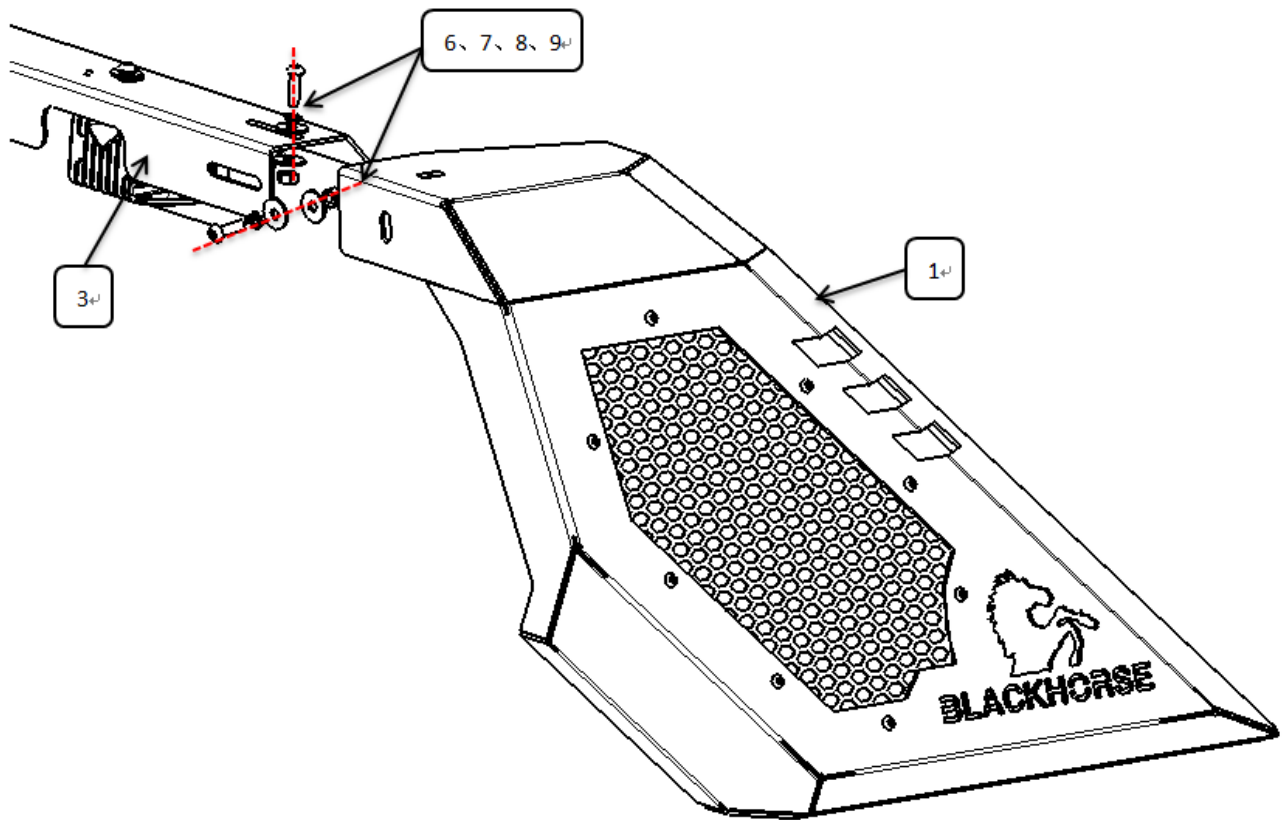
**Step1:** Install ③ and ④ with ⑥ ⑦ ⑧ ⑨ as below diagram shows.



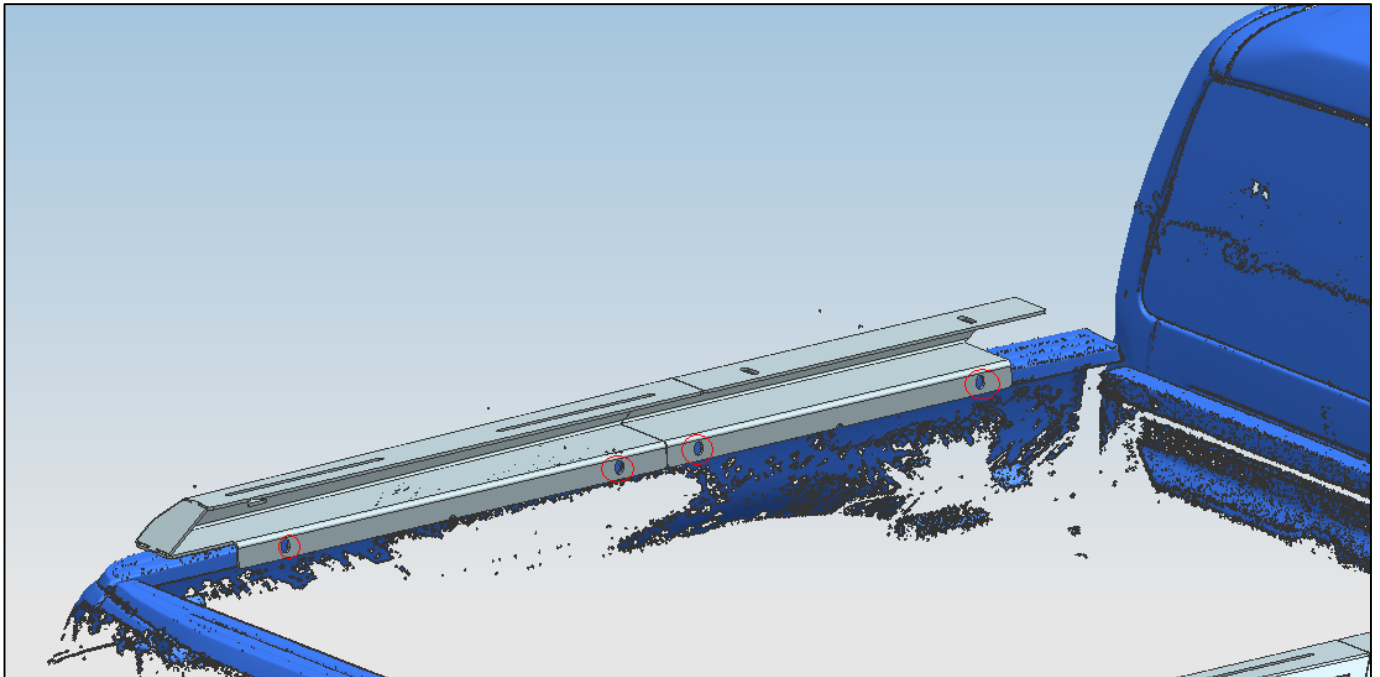
VIGOR ROLL BAR FOR 19-21 FORD RANGER  
(WITH ADJUSTABLE SQUARE LIGHT)

VIGOR ROLL BAR FOR 19-21 FORD RANGER  
(WITH ADJUSTABLE SQUARE LIGHT)

**Step2:** Install ① ② ③ and ④ with ⑥ ⑦ ⑧ ⑨ as below diagram shows.

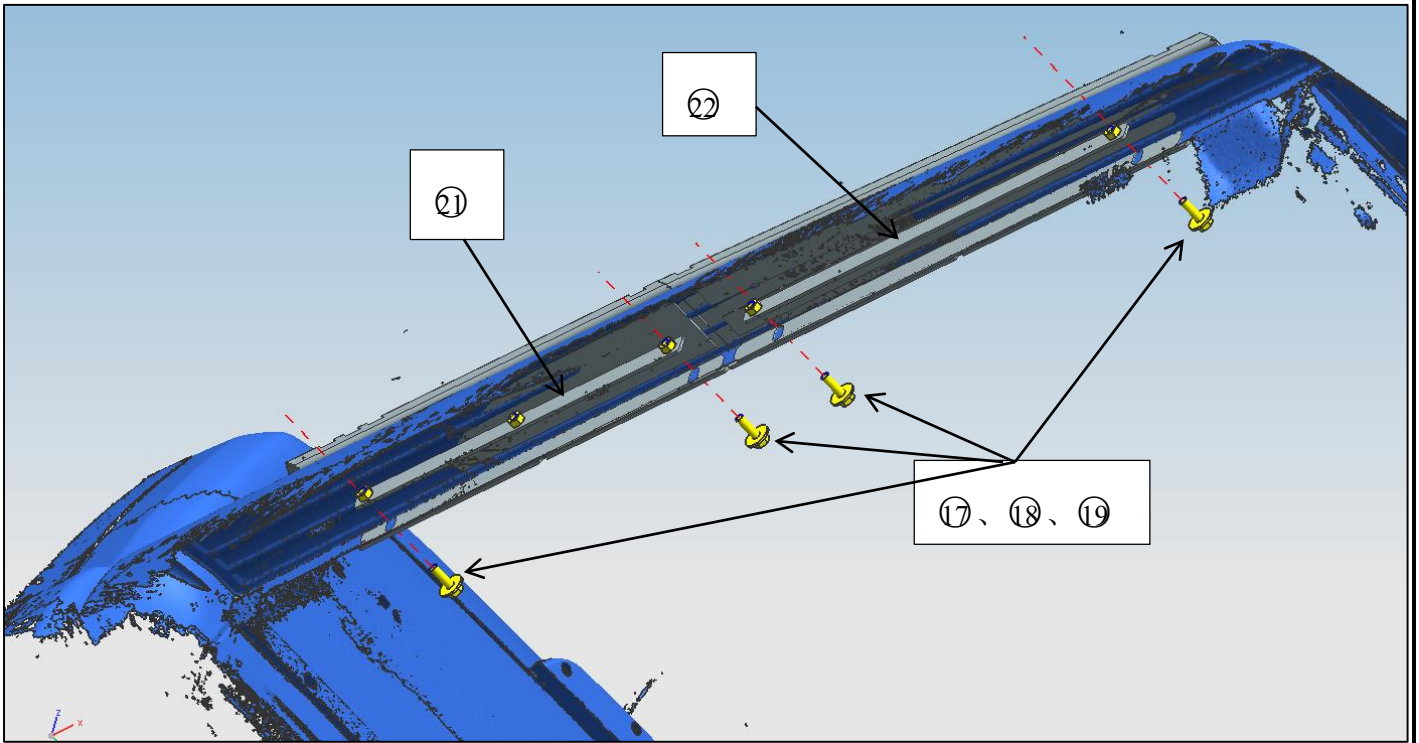


**Step 3:** Place the brackets on the truck. Drill the  $\phi$  12 size of holes for installing brackets.

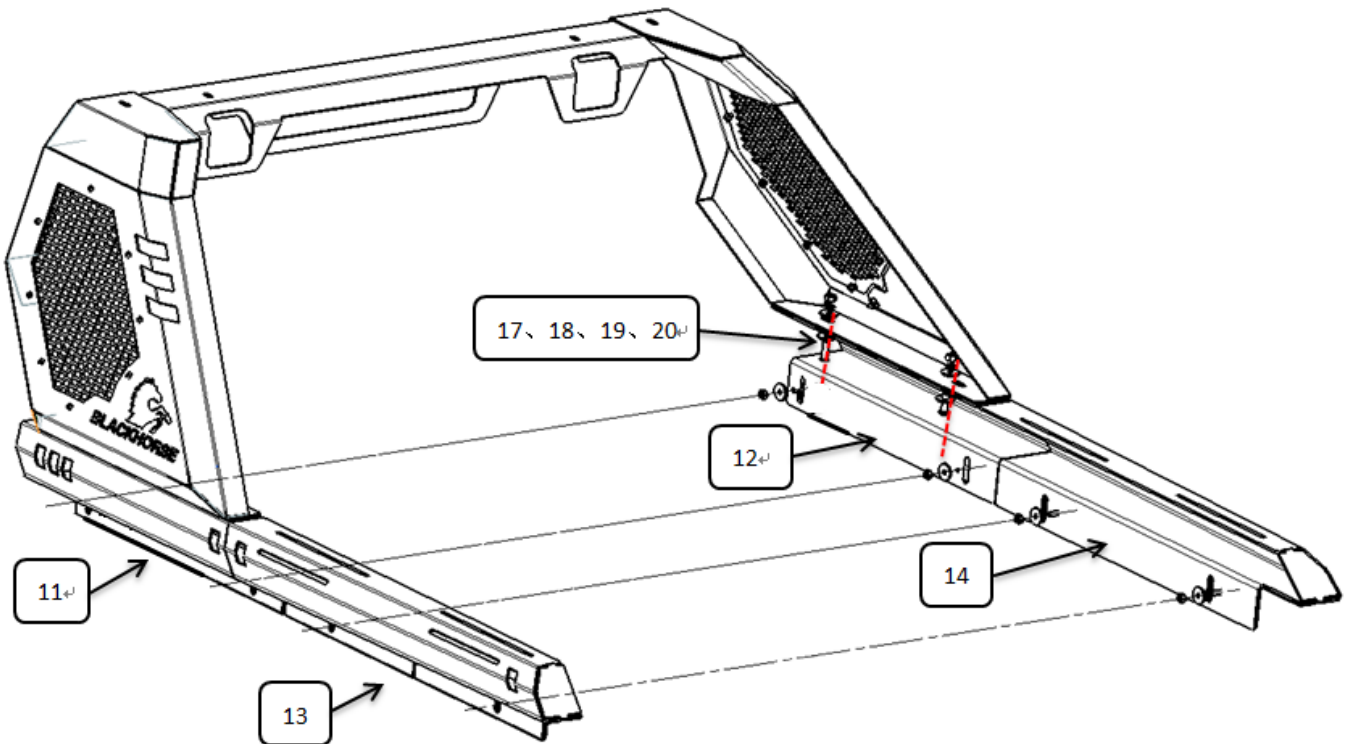


Assemble roll bar with base on the truck with standard parts ⑰ ⑱ ⑲ ⑳ ㉑ .

VIGOR ROLL BAR FOR 19-21 FORD RANGER  
(WITH ADJUSTABLE SQUARE LIGHT)



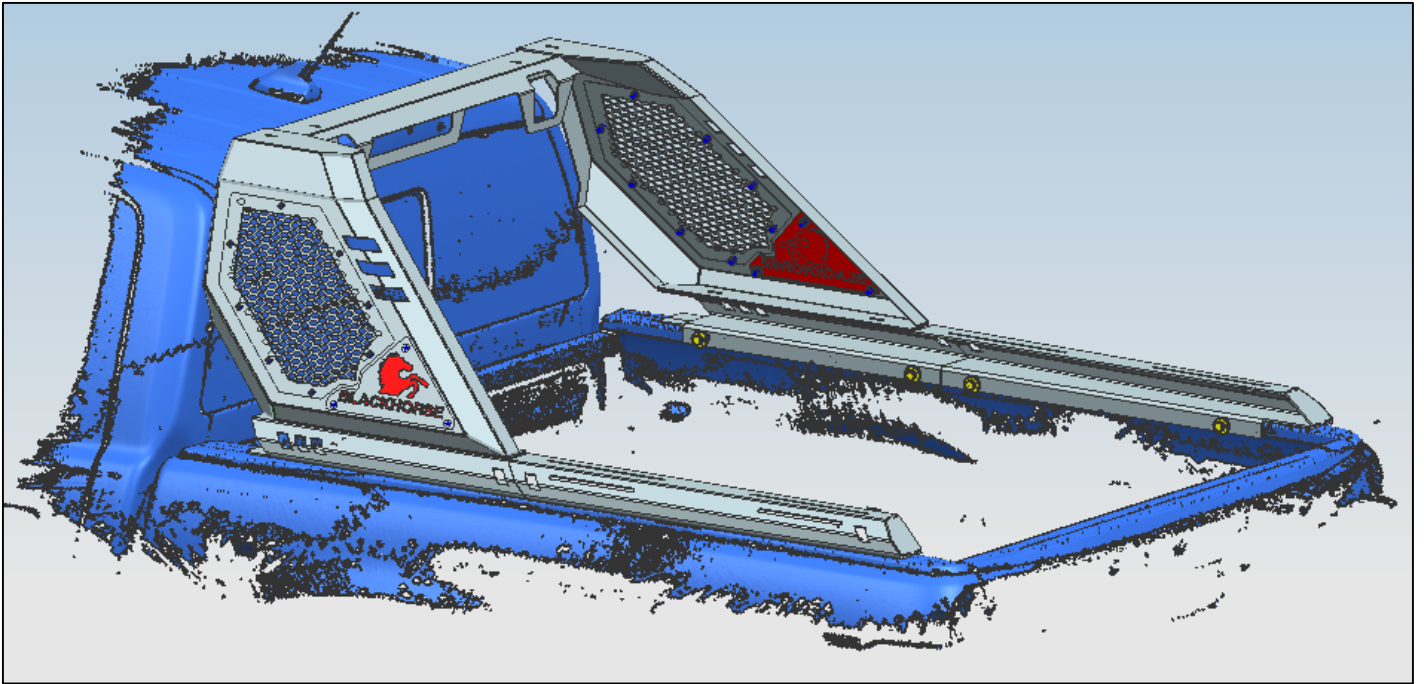
**Step 4:** Connect brackets and roll bar with standard parts 17 18 19 20 as figure shows.



**Step 4:** Test and make sure that the roll bar is steadily fixed, fully tighten all hardware.

**Step 5:** Installation is finished, pick up all tools.

VIGOR ROLL BAR FOR 19-21 FORD RANGER  
(WITH ADJUSTABLE SQUARE LIGHT)



**NOTE**

Any damages and losses caused by improper installation and application, goes beyond our quality warranty.