



INSTALLATION INSTRUCTIONS
VIGOR ROLL BAR FOR 15-21 CHEVY COLORADO- GMC
CANYON (WITH ADJUSTABLE SQUARE LIGHT)
PART # VIRB05B

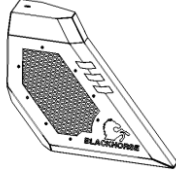
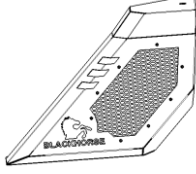


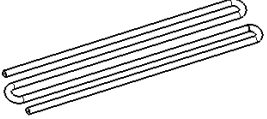
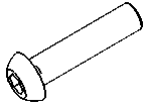
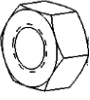



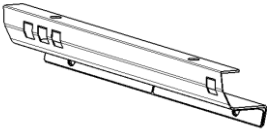
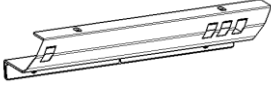
Before Installation

- Please read the instruction completely for easy installation, which will also help you to avoid scratches or other potential damages to your appealing car.
- The figures here are for reference only and may have differences with the actual product you received, however they share the same assembly way.

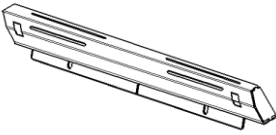
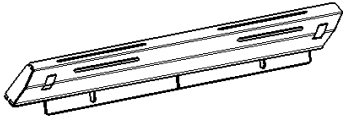

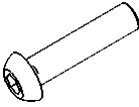
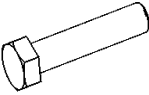


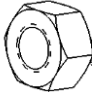
Care and Cleaning

- Mild soap may be used also to clean the Product.
- Please periodically check and retighten all the hardware and clean the investment for a refresh look.

Parts list

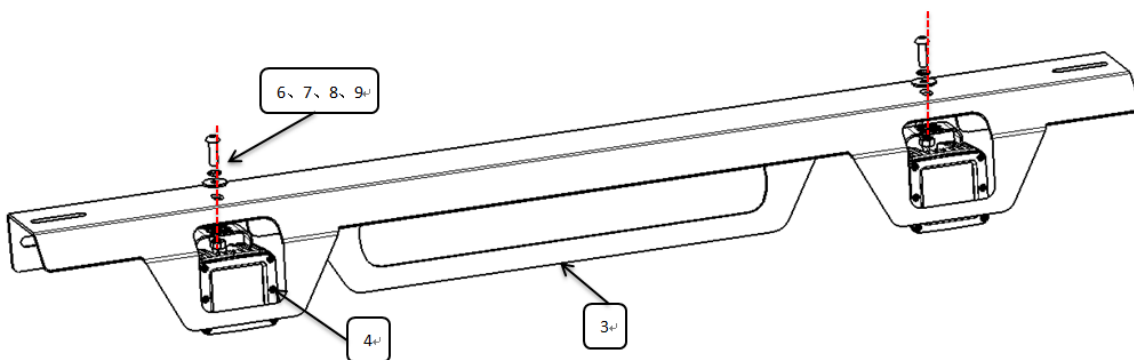
NO.	QTY	NAME	NO.	QTY	NAME
①	1	 Left installation part	②	1	 Right installation part
③	1	 Connection plate	④	2	 LED light
⑤	1	 LED light line	⑥	6	 Button head allen bolts M8_25
⑦	6	 Hex nut M8	⑧	6	 Spring washer D8
⑨	10	 Flat washer D8	⑩	1	 Allen wrench S=5
⑪	1	 Front bracket (L)	⑫	1	 Front bracket (R)

VIGOR ROLL BAR FOR 15-21 CHEVY COLORADO- GMC CANYON (WITH ADJUSTABLE SQUARE LIGHT)

<p>⑬</p> <p>1</p>	 <p>Rear bracket (L)</p>	<p>⑭</p> <p>1</p>	 <p>Rear bracket (R)</p>
<p>⑮</p> <p>1</p>	 <p>Allen wrench S=6</p>	<p>⑯</p> <p>4</p>	 <p>Button head allen bolts M10_30</p>
<p>⑰</p> <p>8</p>	 <p>Hex bolt M10_35</p>	<p>⑱</p> <p>24</p>	 <p>Flat washer D10</p>
<p>⑲</p> <p>12</p>	 <p>Spring washer D10</p>	<p>⑳</p> <p>12</p>	 <p>Hex nut M10</p>

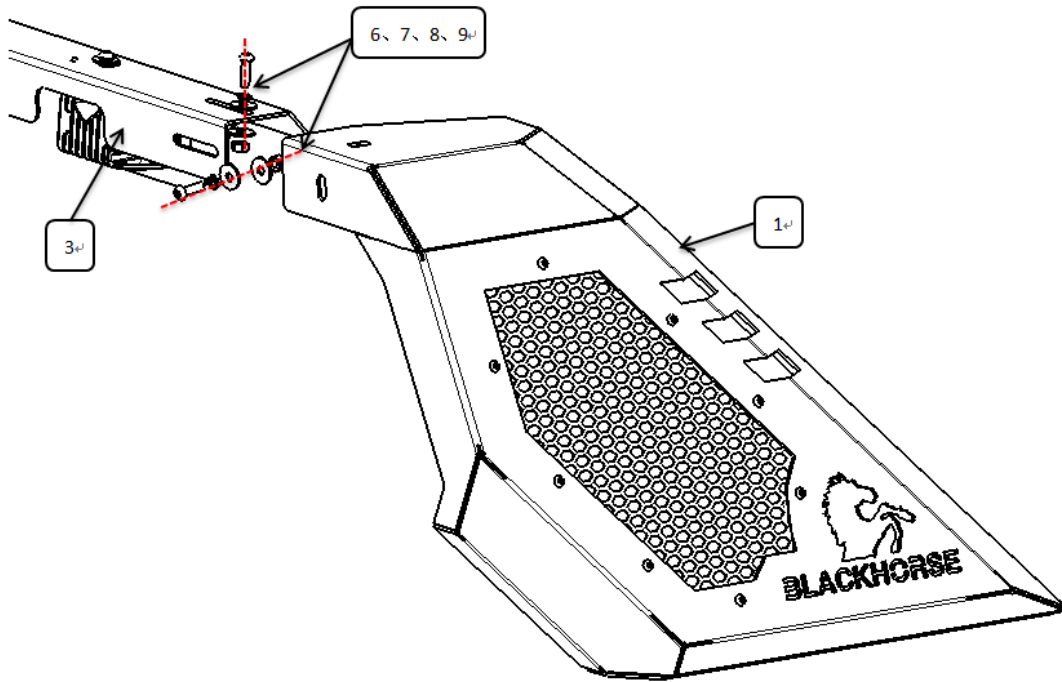
Installation Steps

Step1: Install ③ and ④ with ⑥ ⑦ ⑧ ⑨ as below diagram shows.



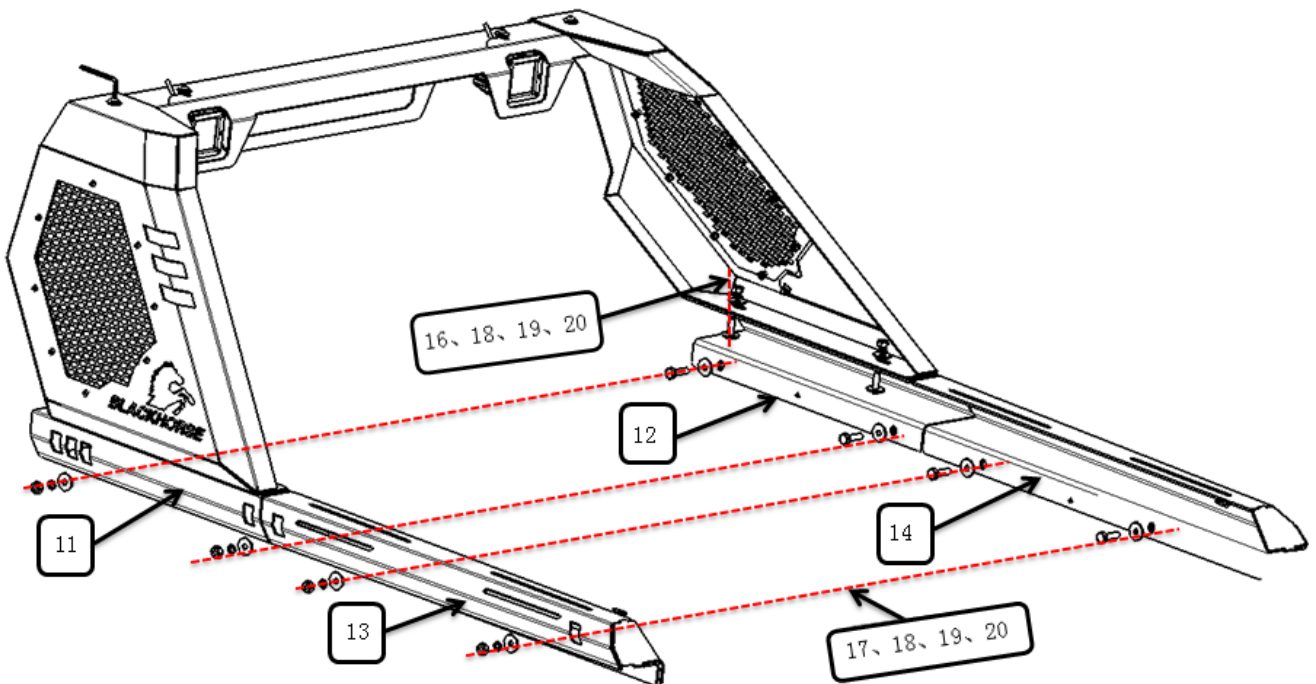
VIGOR ROLL BAR FOR 15-21 CHEVY COLORADO- GMC CANYON (WITH ADJUSTABLE SQUARE LIGHT)

Step 2: Install ① ② ③ and ④ with ⑥ ⑦ ⑧ ⑨ as below diagram shows.



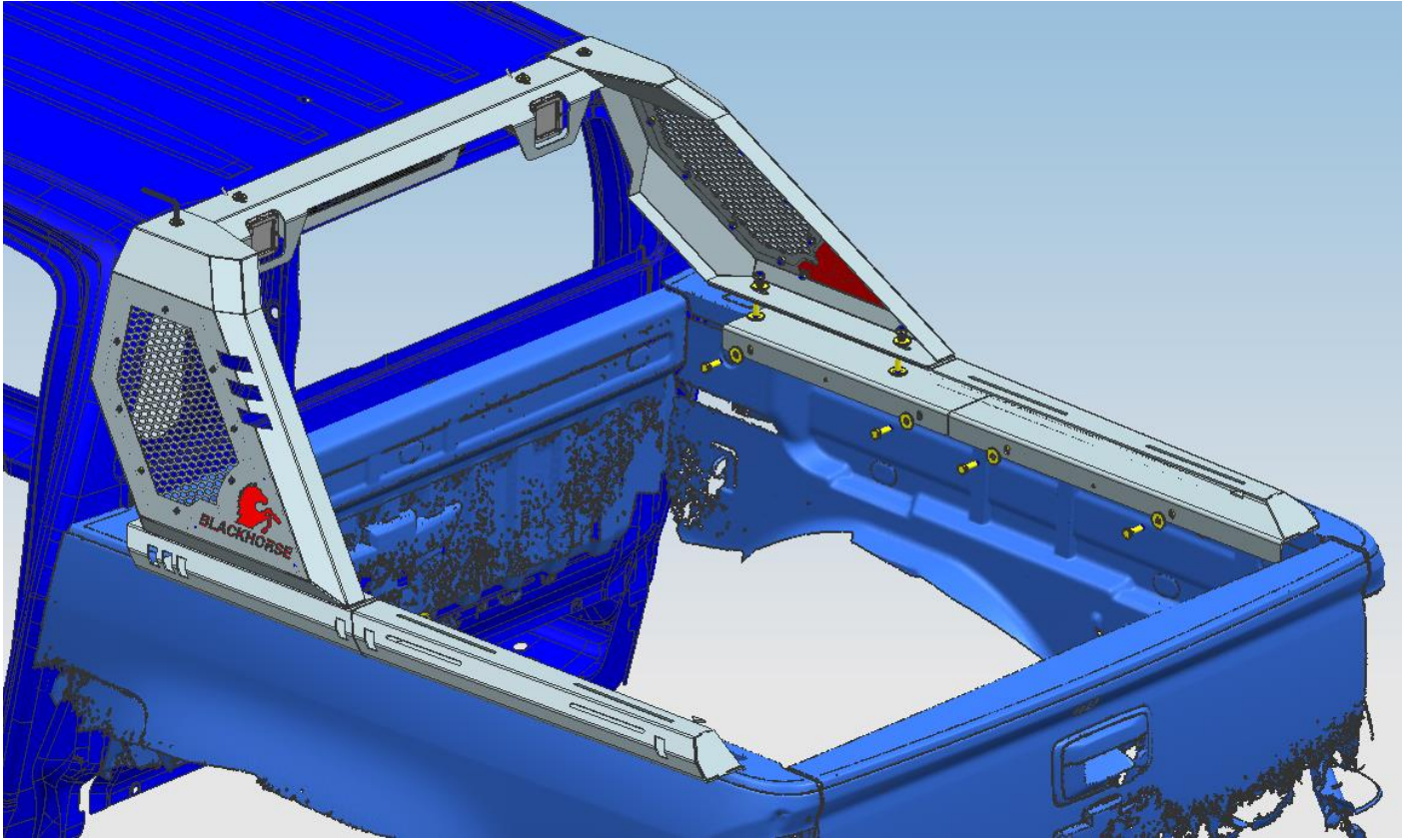
Step 3: Connect brackets and roll bar with standard parts ①⑥ ①⑧ ①⑨ ②① as figure shows.

Assemble roll bar with base on the truck with standard parts ①⑦ ①⑧ ①⑨ ②① .



Step 4: Test and make sure that the roll bar is steadily fixed, fully tighten all hardware.

Step 5: Installation is finished, pick up all tools.



NOTE

Any damages and losses caused by improper installation and application, goes beyond our quality warranty.