

VIGOR ROLL BAR FOR 1/2 TON TRUCKS (GM SILVERADO 2015-FORD F150 2015) (WITH ADJUSTABLE SQUARE LIGHT)



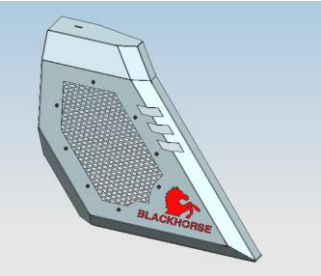
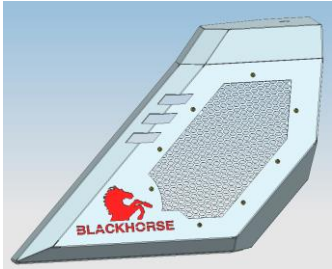
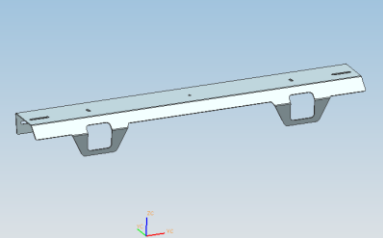
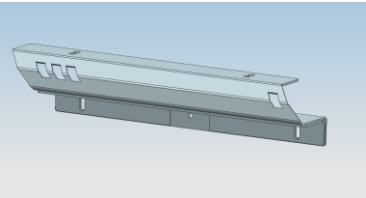
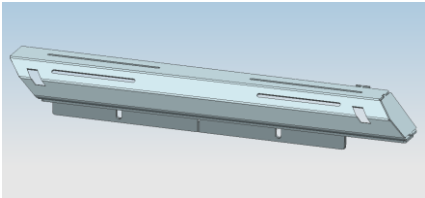
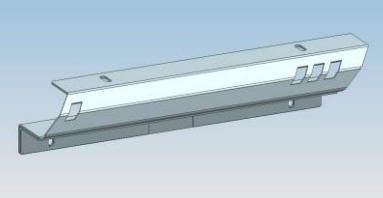
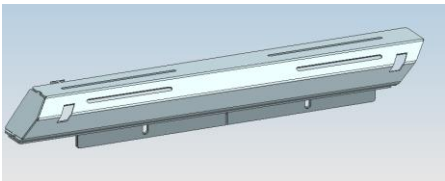
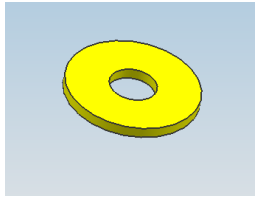
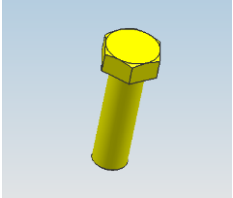
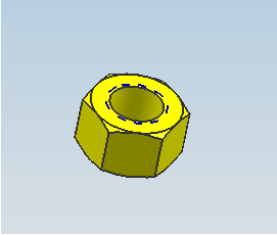

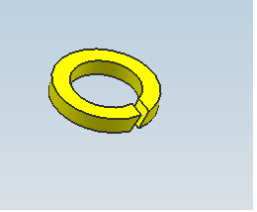
INSTALLATION INSTRUCTIONS

**VIGOR ROLL BAR FOR 1/2 TON TRUCKS (GM SILVERADO 2015-FORD F150 2015) (WITH
ADJUSTABLE SQUARE LIGHT)**

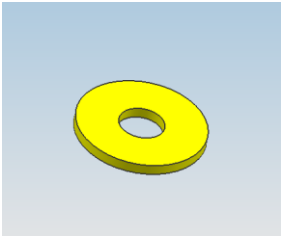
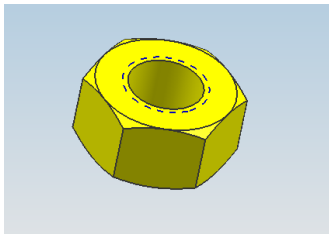
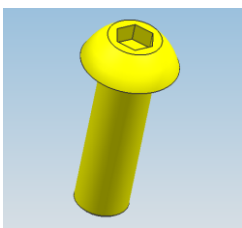

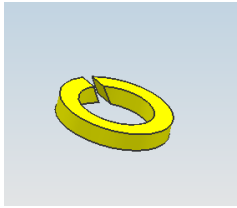
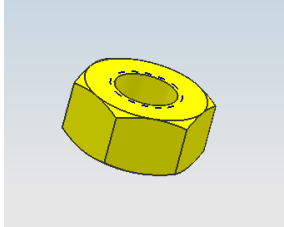
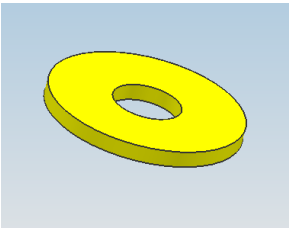
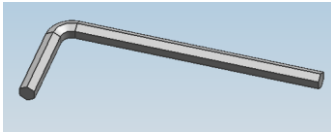
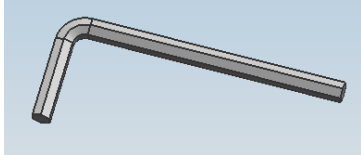
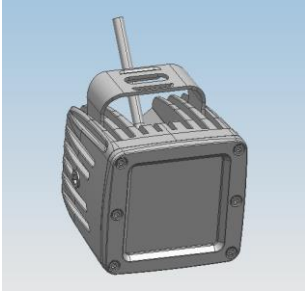
PART # VIRB02B

VIGOR ROLL BAR FOR 1/2 TON TRUCKS (GM SILVERADO 2015-FORD F150 2015) (WITH ADJUSTABLE SQUARE LIGHT)

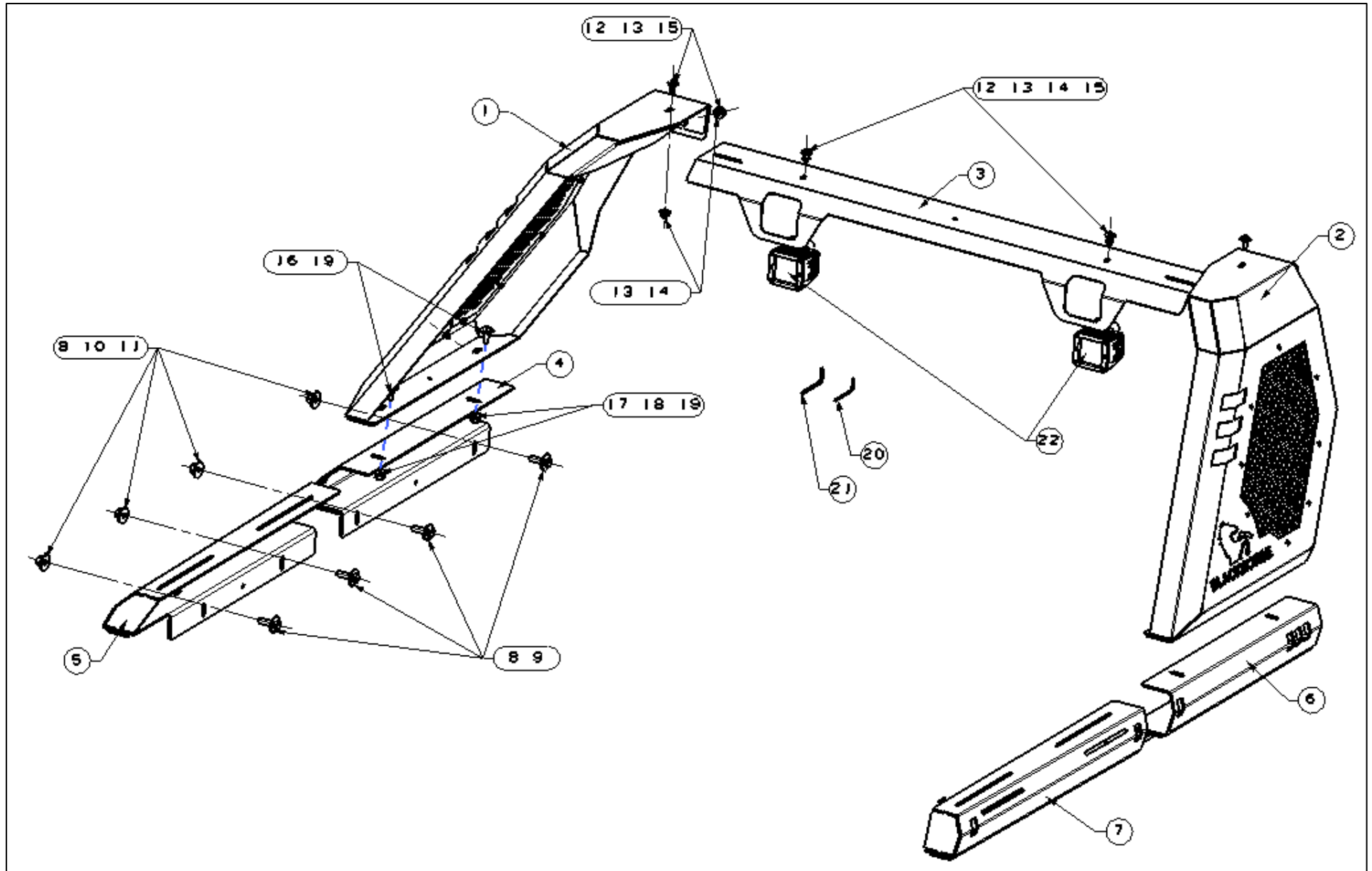
Parts list

| NO. | QTY | PICTURE | NO. | QTY | PICTURE | NO. | QTY | PICTURE |
|-----|-----|---|-----|-----|--|-----|-----|---|
| ① | 1 |  Left installation part | ② | 1 |  Right installation part | ③ | 1 |  Connection plate |
| ④ | 1 |  Front bracket (L) | ⑤ | 1 |  Rear bracket (L) | ⑥ | 1 |  Front bracket (R) |
| ⑦ | 1 |  Rear bracket (R) | ⑧ | 16 |  Flat washer D12 | ⑨ | 8 |  Hex bolt M12x40 |
| ⑩ | 8 |  Hex nut M12 | ⑪ | 8 |  Spring washer D12 | ⑫ | 6 |  Spring washer D8 |

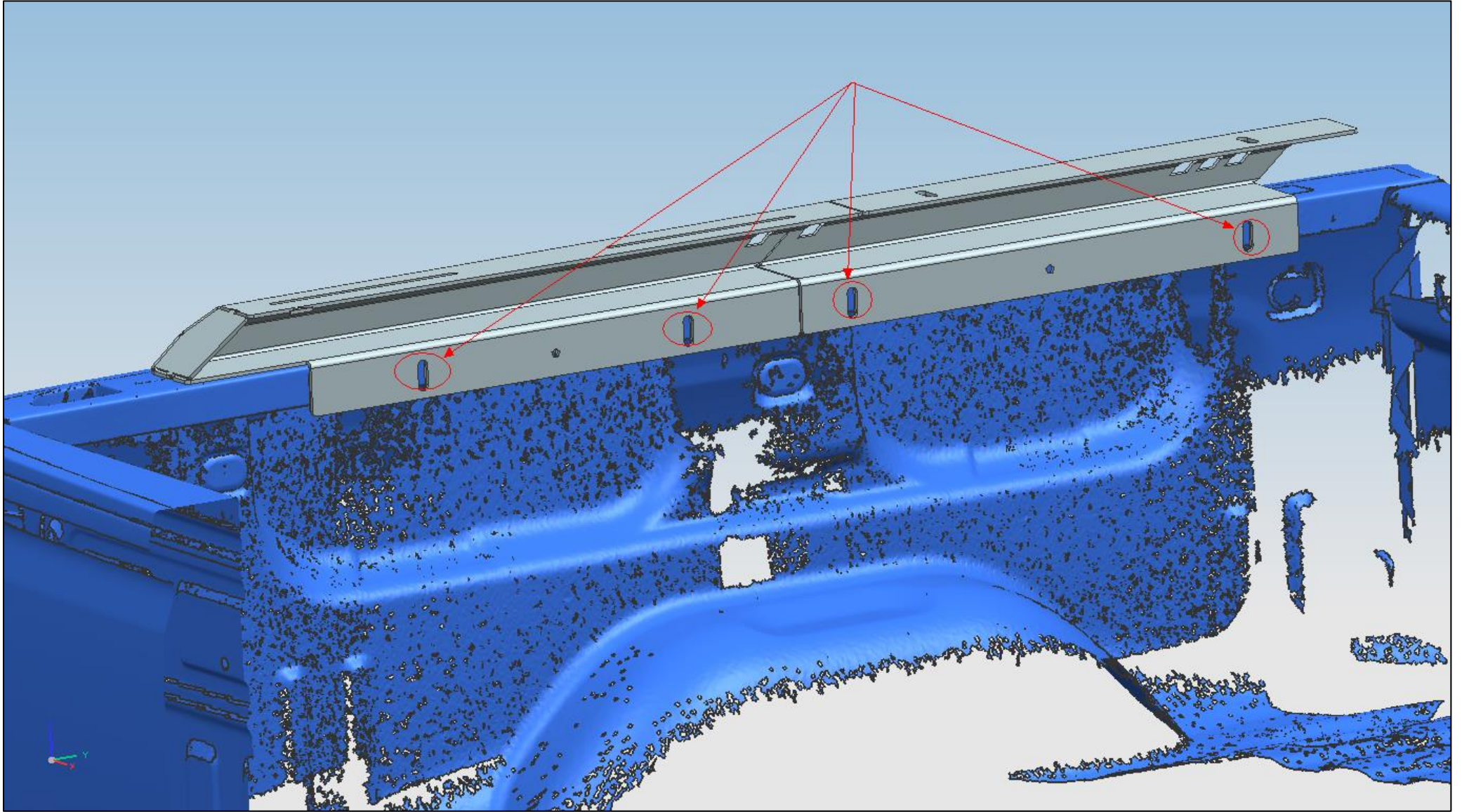
VIGOR ROLL BAR FOR 1/2 TON TRUCKS (GM SILVERADO 2015-FORD F150 2015) (WITH ADJUSTABLE SQUARE LIGHT)

| | | | | | | | | |
|----------|-----------|--|----------|----------|--|----------|----------|---|
| <p>⑬</p> | <p>10</p> |  <p>Flat washer D8</p> | <p>⑭</p> | <p>6</p> |  <p>Hex nut M8</p> | <p>⑮</p> | <p>6</p> |  <p>Hex bolt M8_25</p> |
| <p>⑯</p> | <p>4</p> |  <p>Hex bolt M10_30</p> | <p>⑰</p> | <p>4</p> |  <p>Spring washer D10</p> | <p>⑱</p> | <p>4</p> |  <p>Hex nut M10</p> |
| <p>⑲</p> | <p>8</p> |  <p>Flat washer D10 (10x30x2.5MM)</p> | <p>⑳</p> | <p>1</p> |  <p>Allen wrench S=4</p> | <p>㉑</p> | <p>1</p> |  <p>Allen wrench S=5</p> |
| <p>㉒</p> | <p>1</p> |  <p>Square LED Light</p> | | | | | | |

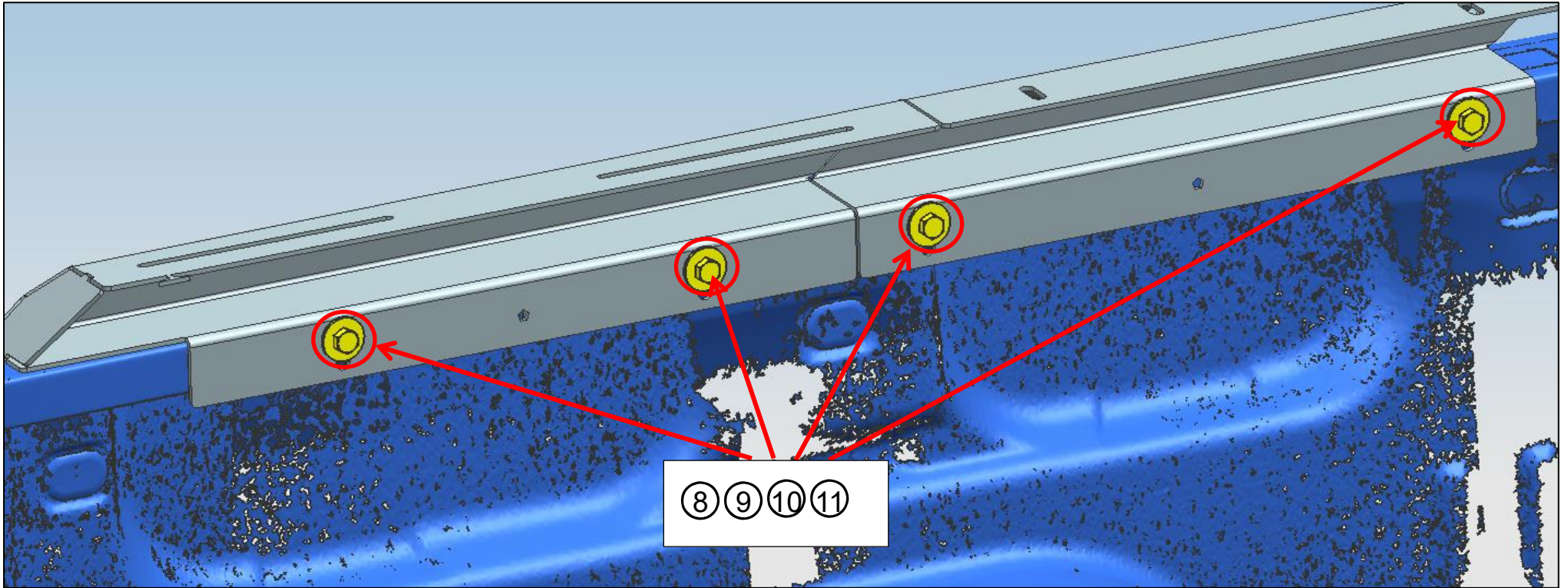
Installation Figure:



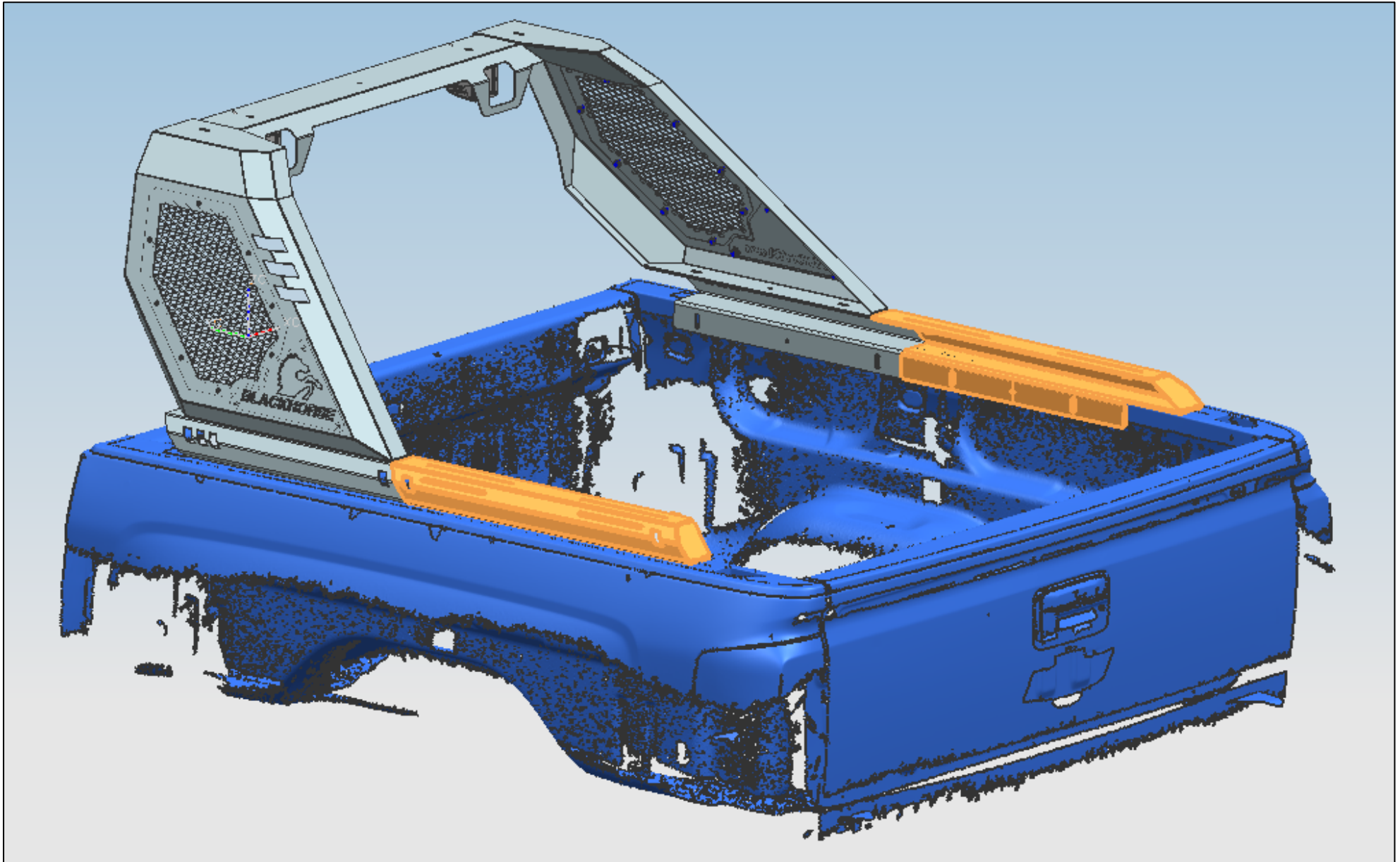
Place the brackets on the truck. Drill the $\phi 12$ size of holes for installing brackets:



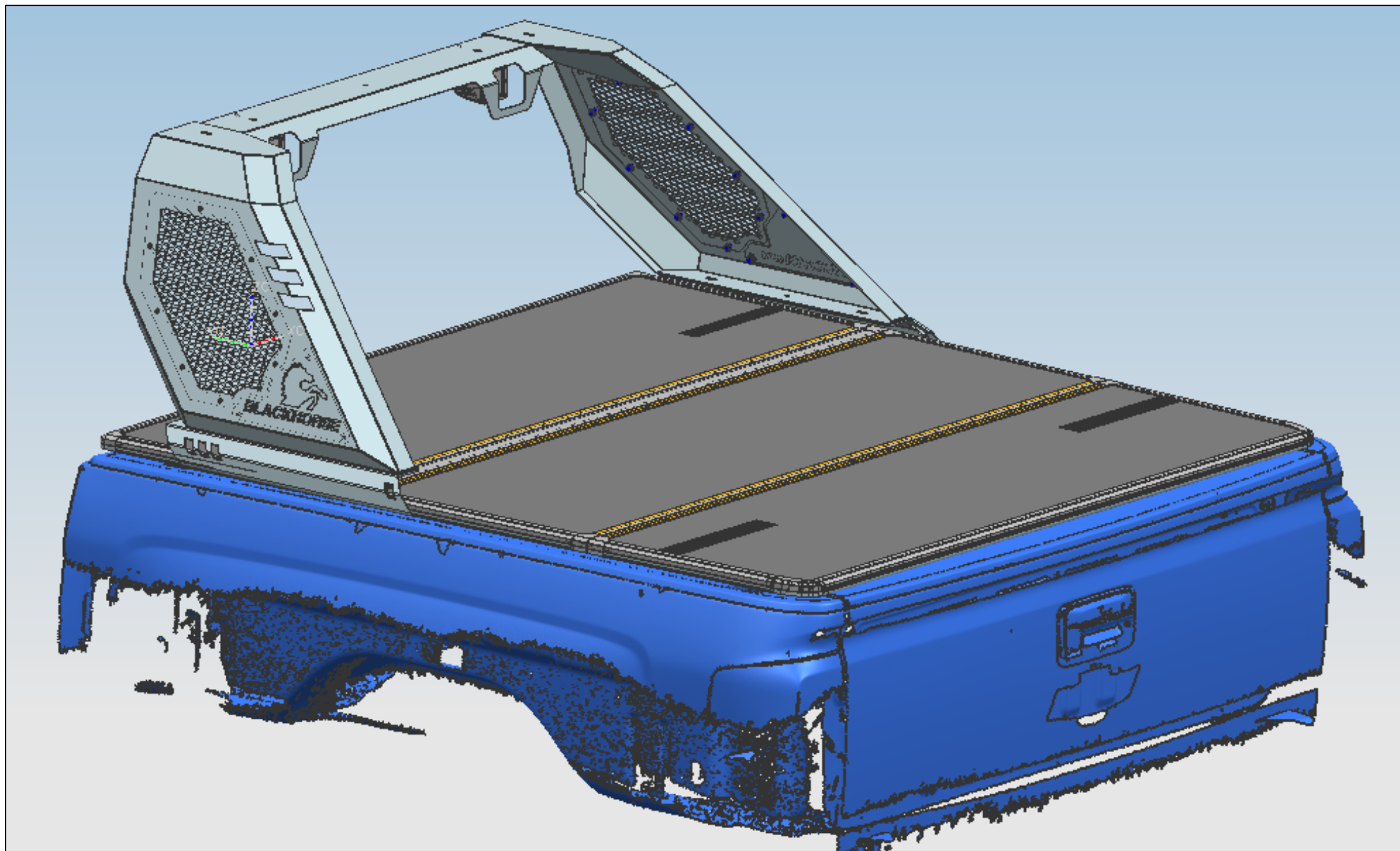
Install with ⑧ Flat washer D12, ⑨ Hex bolt M12x40, ⑩ Hex nut M12 and ⑪ Spring washer D12:



The left and right rear brackets should be removed when installing the tri-fold cover:

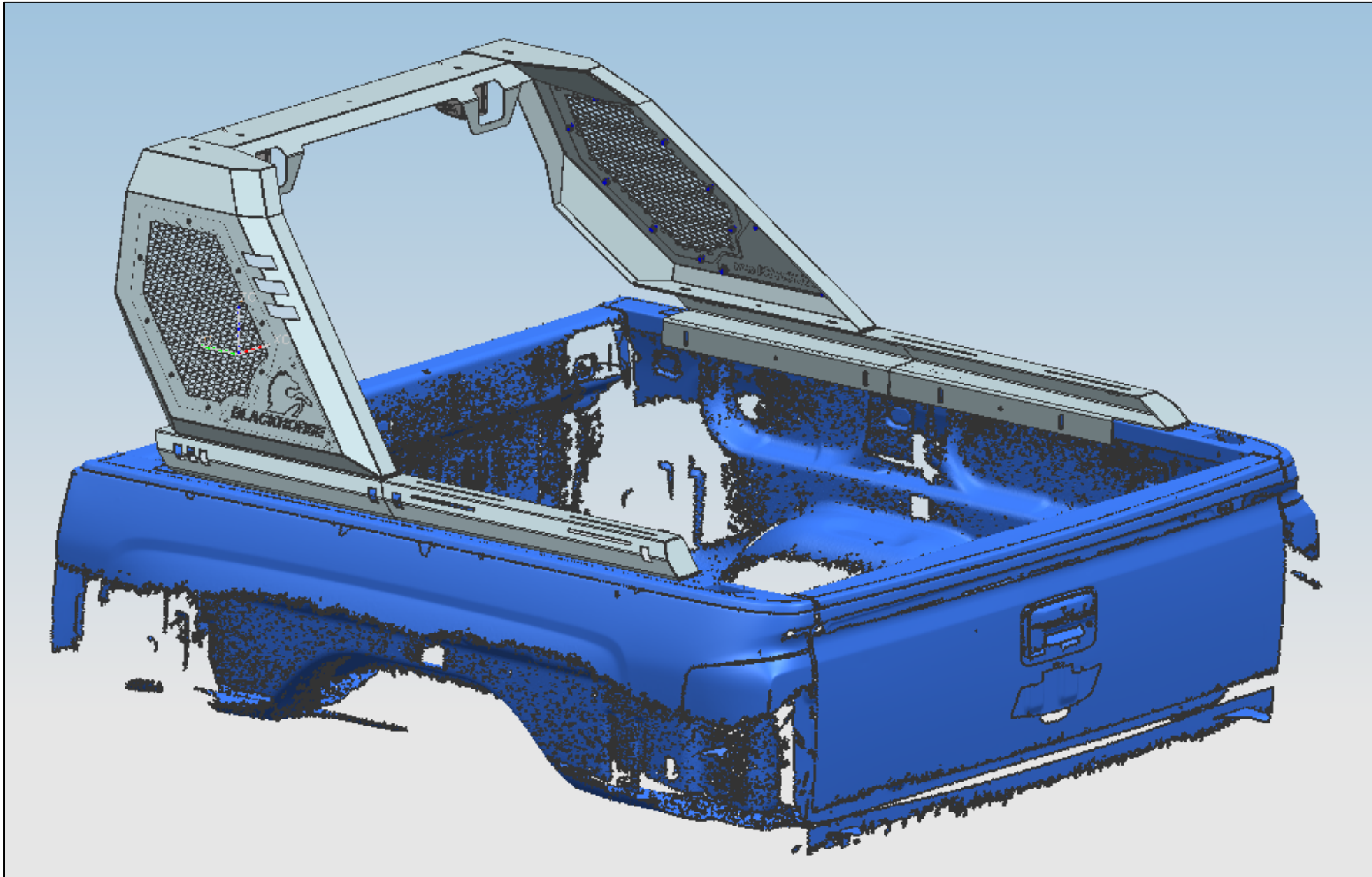


VIGOR ROLL BAR FOR 1/2 TON TRUCKS (GM SILVERADO 2015-FORD F150 2015) (WITH ADJUSTABLE SQUARE LIGHT)



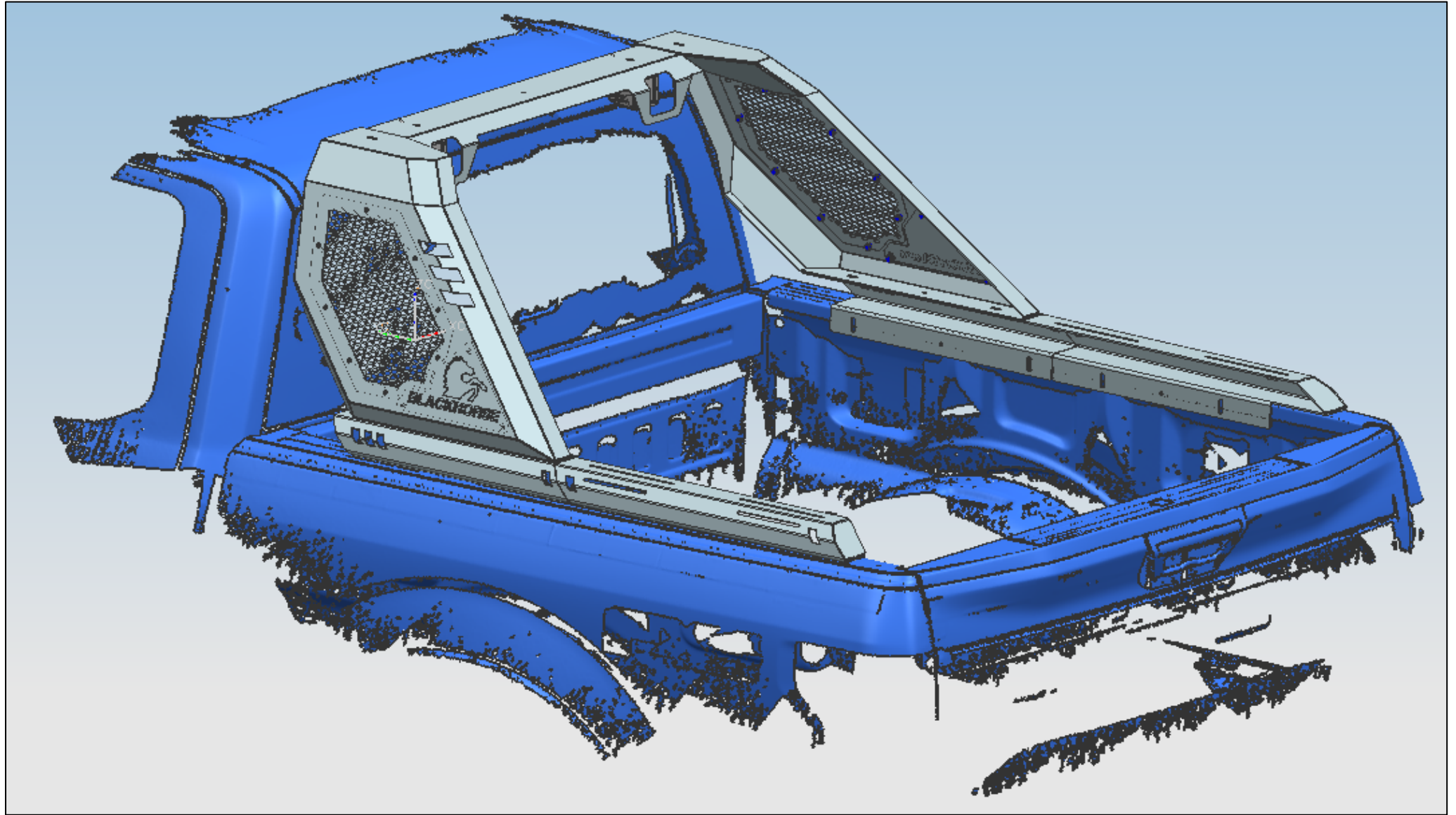
INSTALLATION FIGURE:

FOR CHERY SILVERADO 13+:

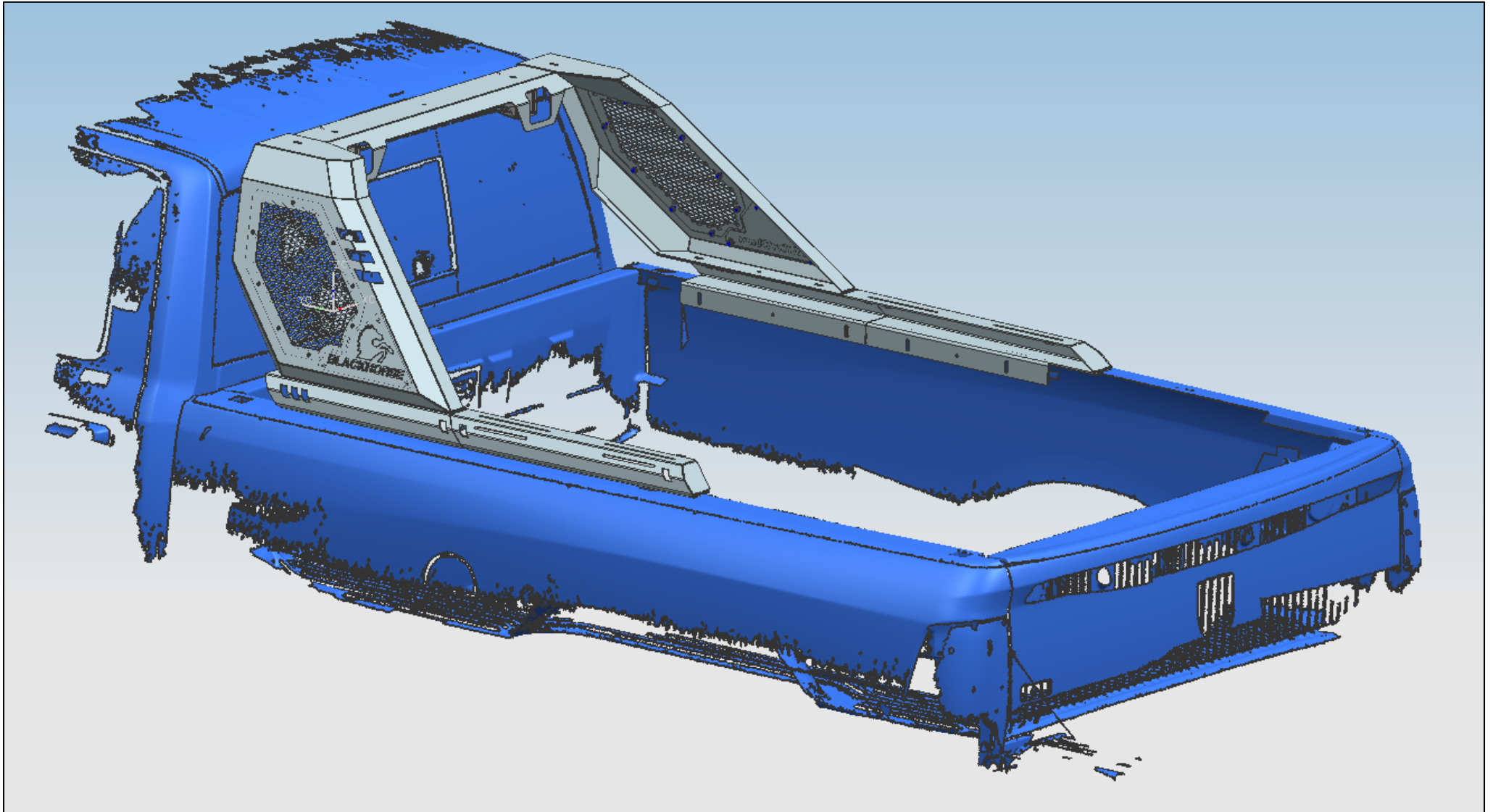


VIGOR ROLL BAR FOR 1/2 TON TRUCKS (GM SILVERADO 2015-FORD F150 2015) (WITH ADJUSTABLE SQUARE LIGHT)

FOR FORD F150 15+:



FOR DODGE RAM 13+:



NOTE

Any damages and losses caused by improper installation and application, goes beyond our quality warranty.