

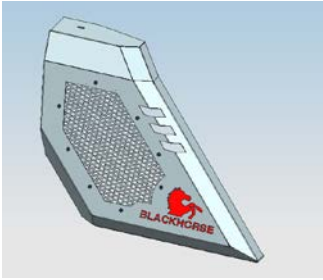
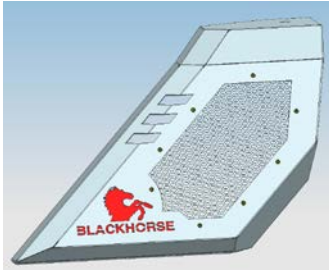
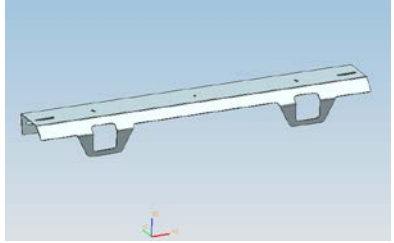

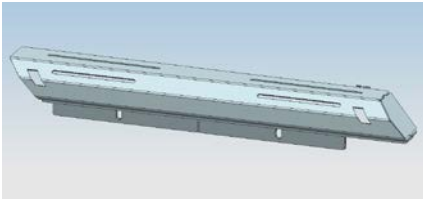
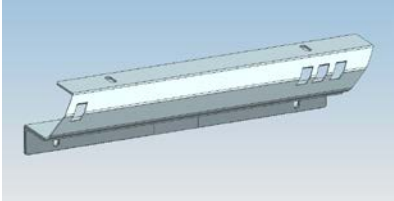
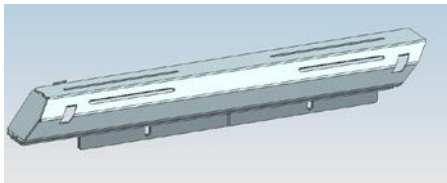
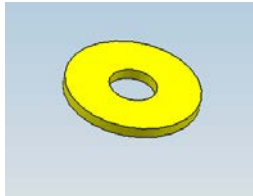

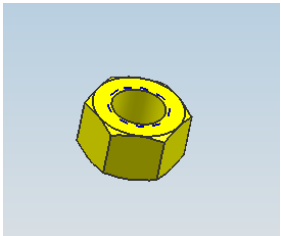

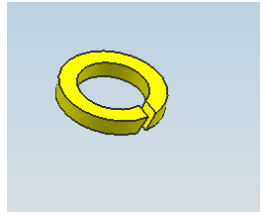


# **INSTALLATION INSTRUCTIONS**


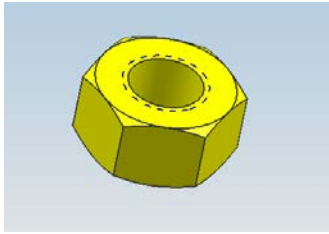


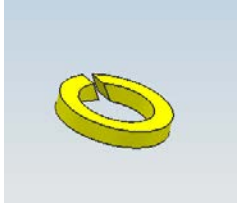
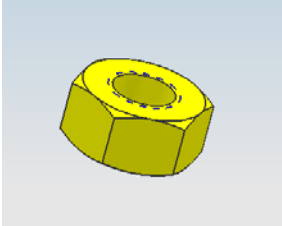
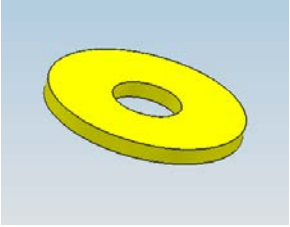

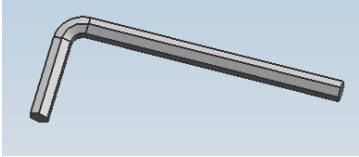

**VIGOR ROLL BAR FOR 1/2 TON TRUCKS (GM SILVERADO 2015-FORD F150 2015) (WITH  
ADJUSTABLE SQUARE LIGHT)**

**PART # VIRB02B**

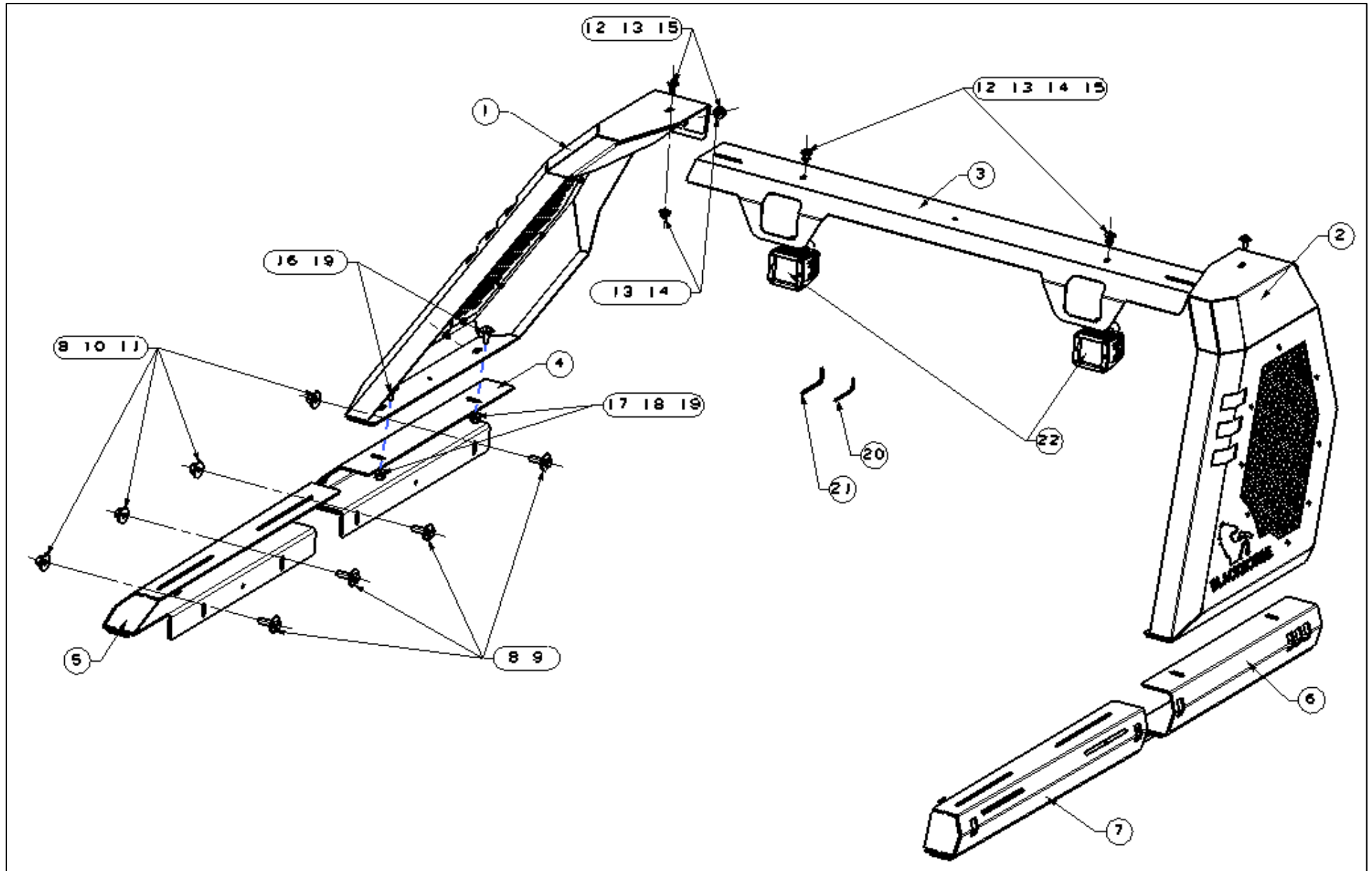
Parts list

NO.	QTY	PICTURE	NO.	QTY	PICTURE	NO.	QTY	PICTURE
①	1	 Left installation part	②	1	 Right installation part	③	1	 Connection plate
④	1	 Front bracket (L)	⑤	1	 Rear bracket (L)	⑥	1	 Front bracket (R)
⑦	1	 Rear bracket (R)	⑧	16	 Flat washer D12	⑨	8	 Hex bolt M12x40
⑩	8	 Hex nut M12	⑪	8	 Spring washer D12	⑫	6	 Spring washer D8

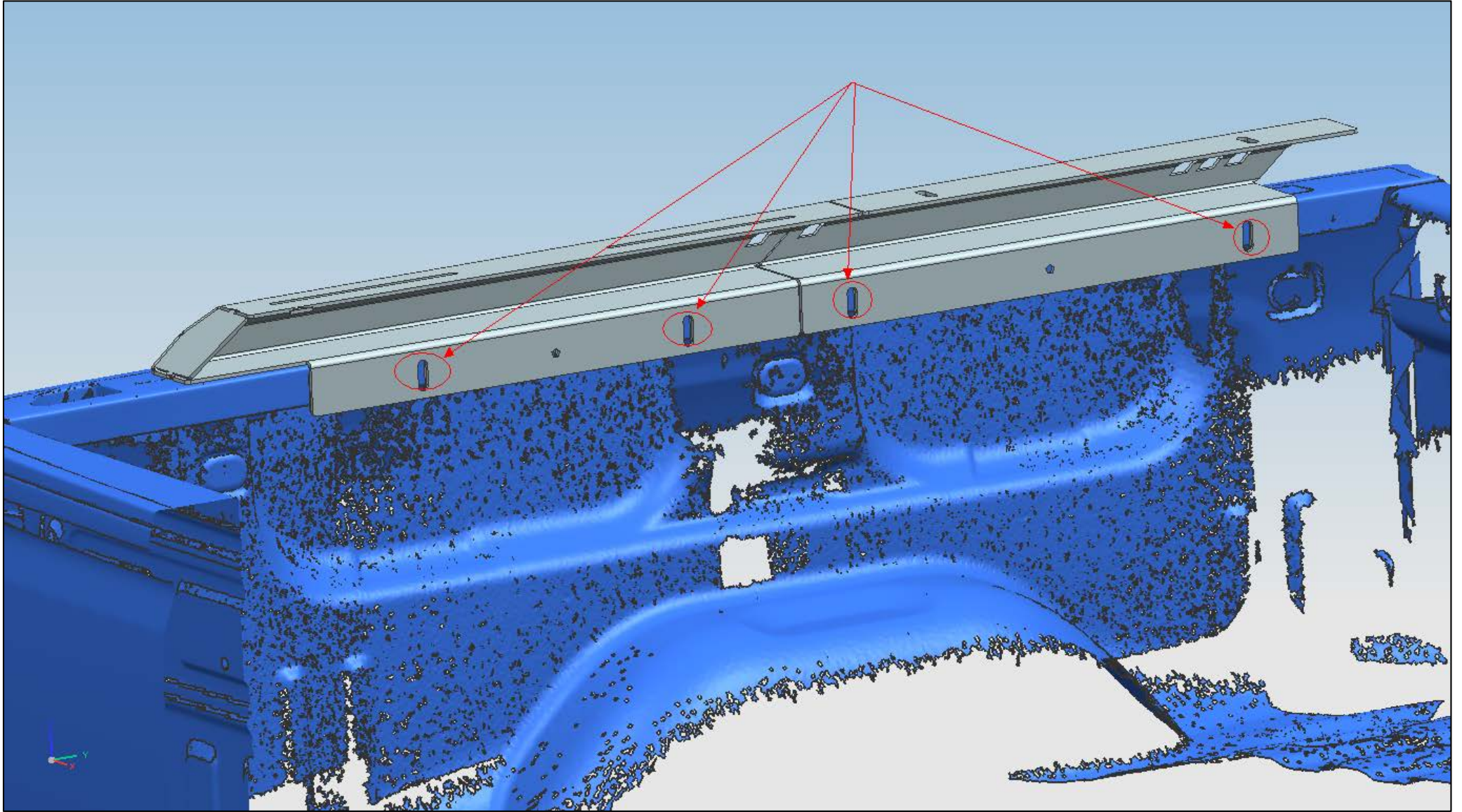
VIGOR ROLL BAR FOR 1/2 TON TRUCKS (GM SILVERADO 2015-FORD F150 2015) (WITH ADJUSTABLE SQUARE LIGHT)

<p>⑬</p>	<p>10</p>	 <p>Flat washer D8</p>	<p>⑭</p>	<p>6</p>	 <p>Hex nut M8</p>	<p>⑮</p>	<p>6</p>	 <p>Hex bolt M8_25</p>
<p>⑯</p>	<p>4</p>	 <p>Hex bolt M10_30</p>	<p>⑰</p>	<p>4</p>	 <p>Spring washer D10</p>	<p>⑱</p>	<p>4</p>	 <p>Hex nut M10</p>
<p>⑲</p>	<p>8</p>	 <p>Flat washer D10 (10x30x2.5MM)</p>	<p>⑳</p>	<p>1</p>	 <p>Allen wrench S=4</p>	<p>㉑</p>	<p>1</p>	 <p>Allen wrench S=5</p>
<p>㉒</p>	<p>1</p>	 <p>Square LED Light</p>						

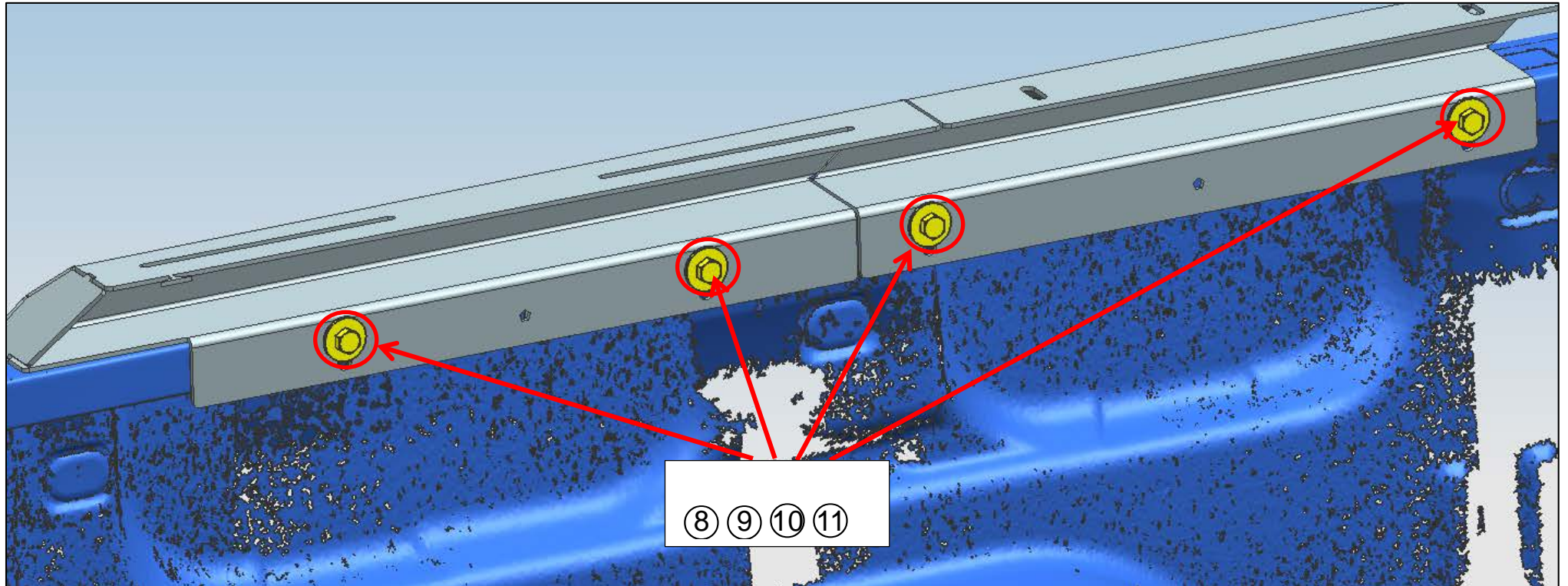
**Installation Figure:**



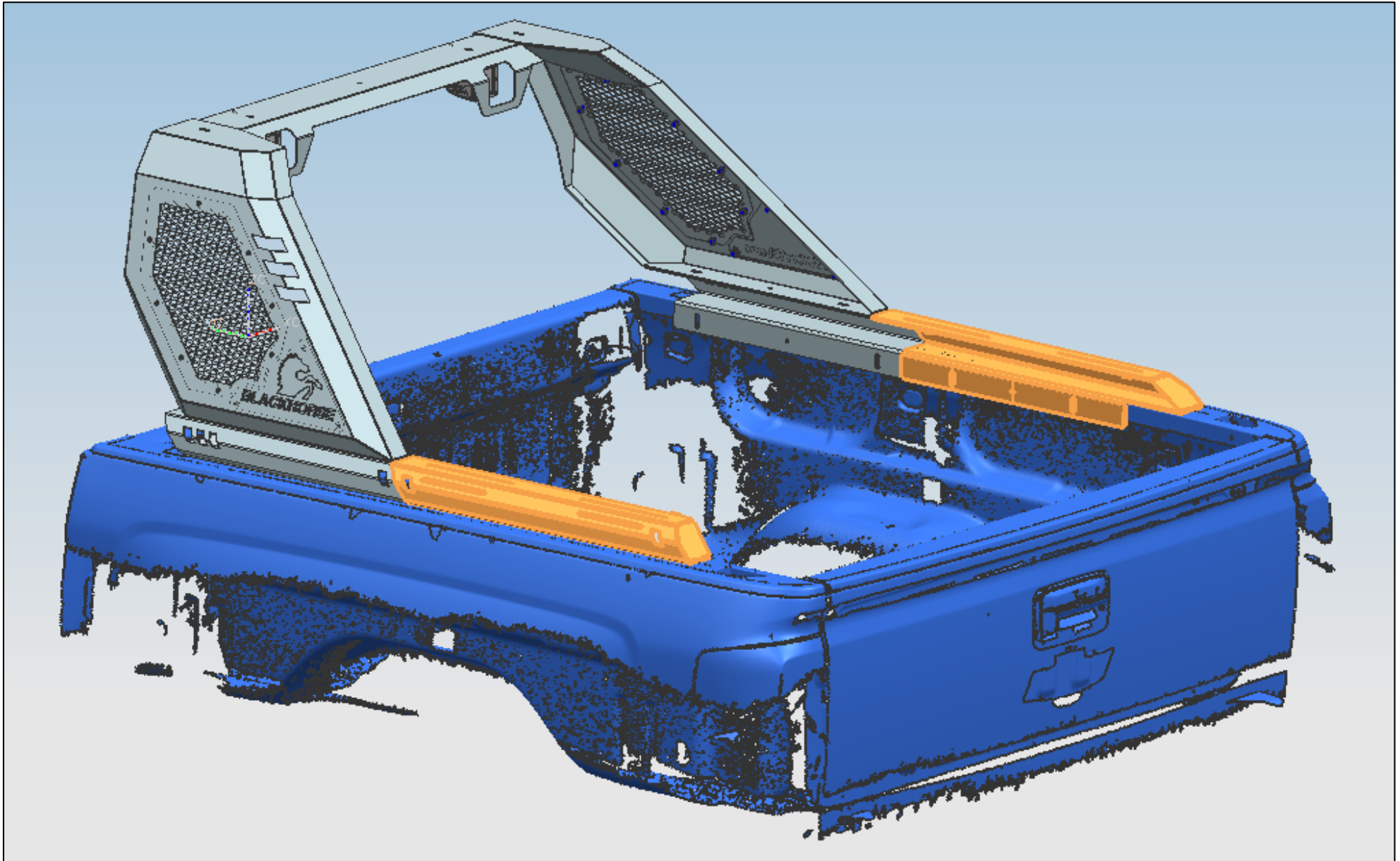
**Place the brackets on the truck. Drill the  $\phi 12$  size of holes for installing brackets:**

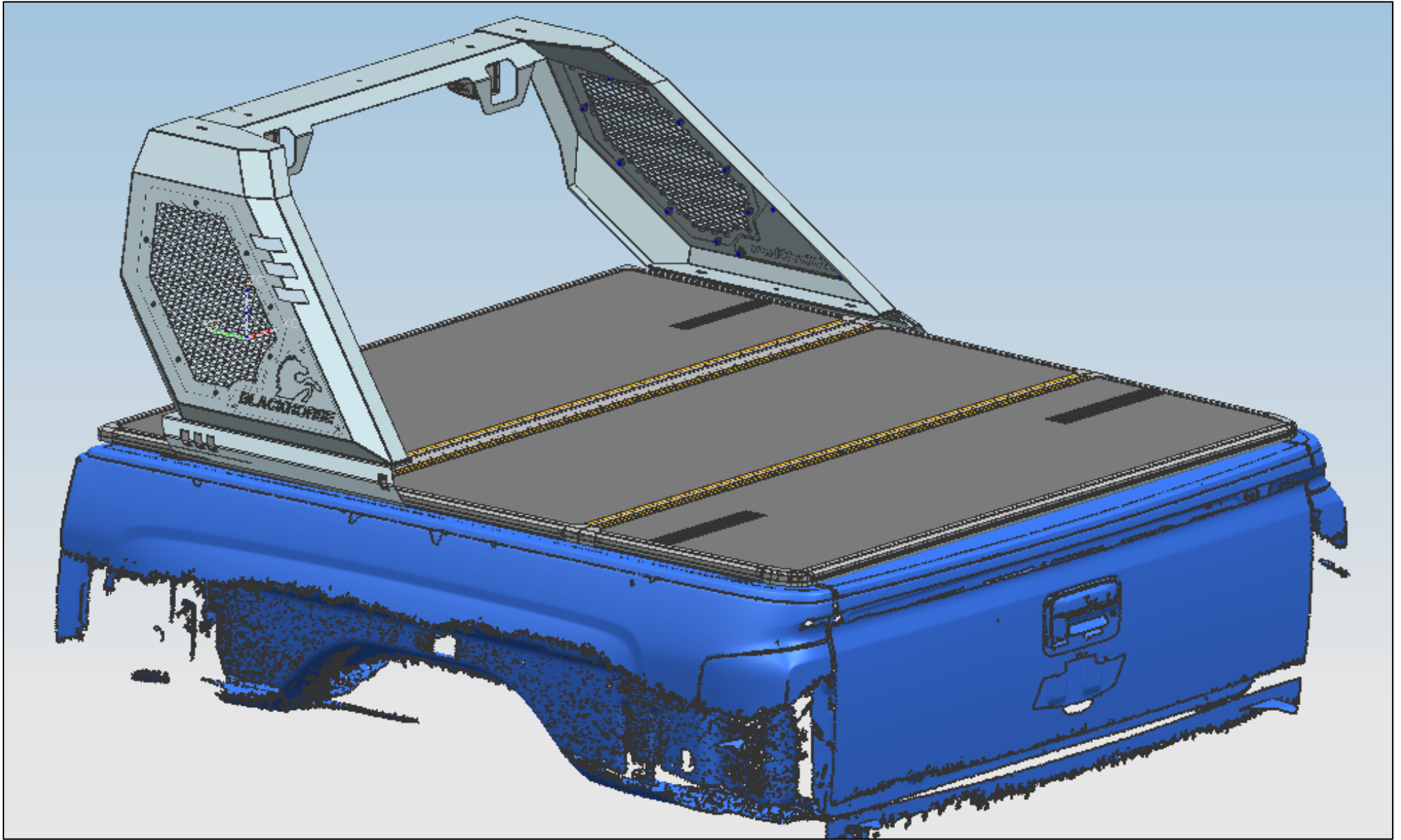


Install with ⑧ Flat washer D12, ⑨ Hex bolt M12x40, ⑩ Hex nut M12 and ⑪ Spring washer D12:



**The left and right rear brackets should be removed when installing the tri-fold cover:**

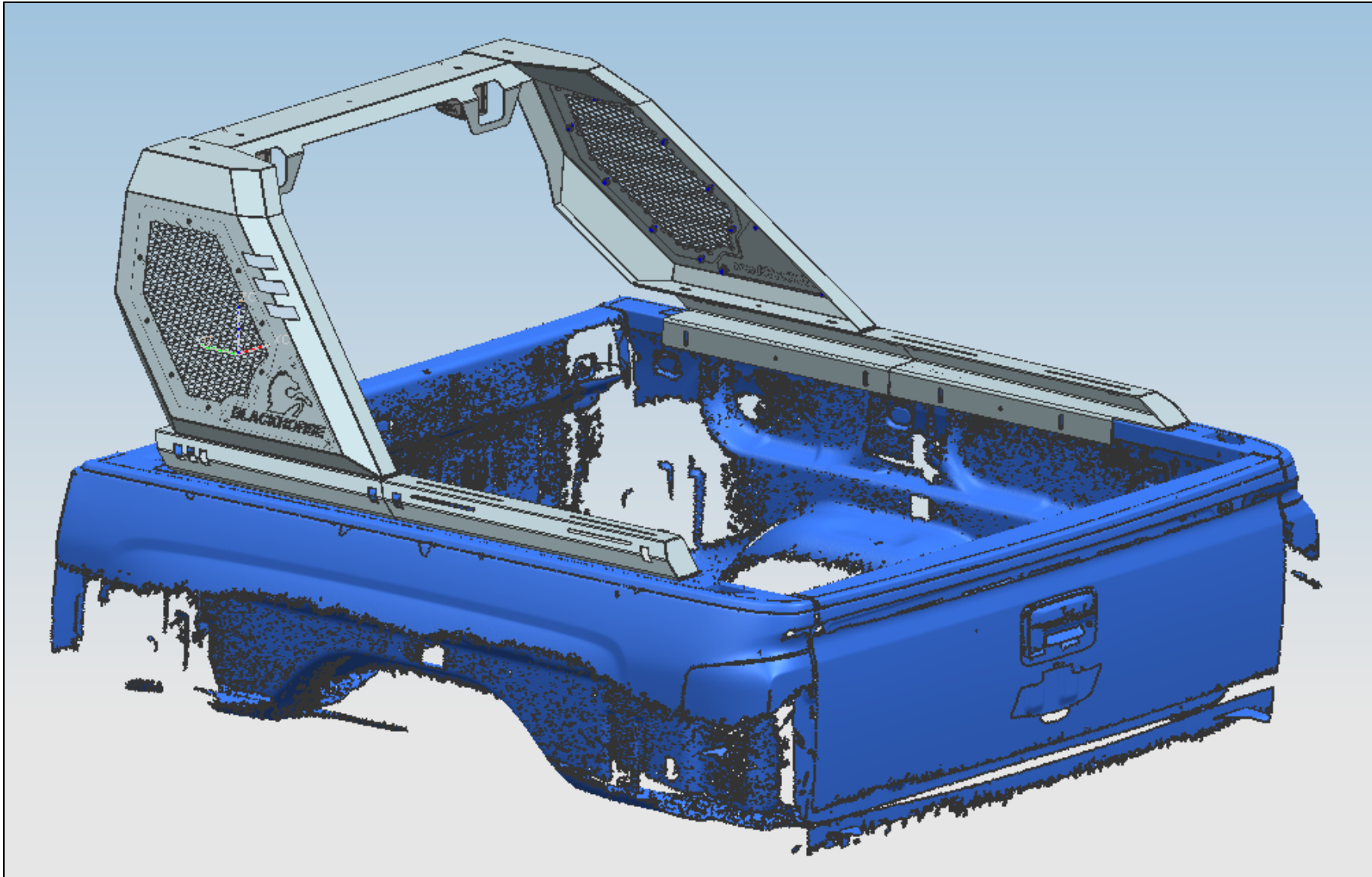




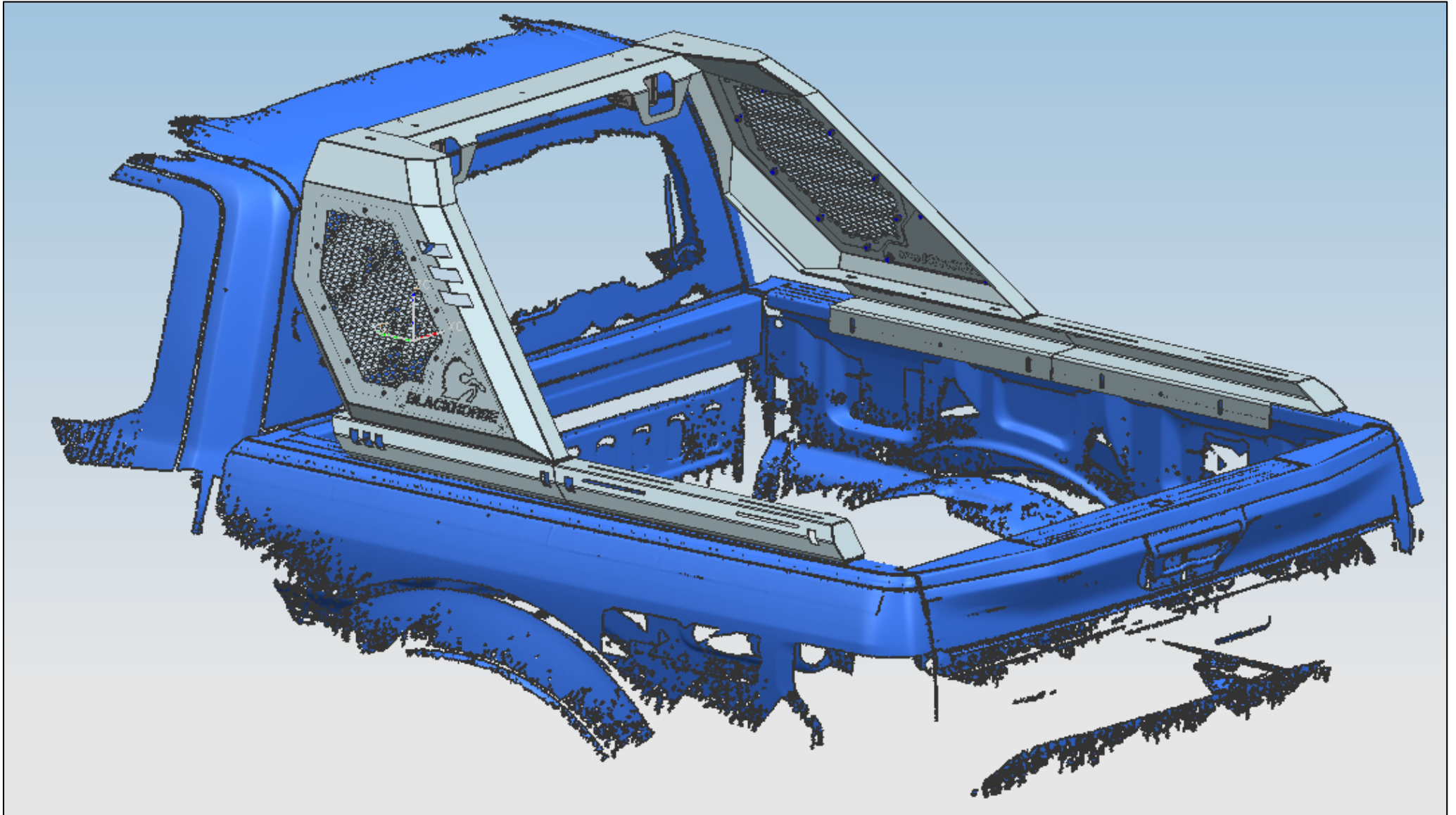


**INSTALLATION FIGURE:**

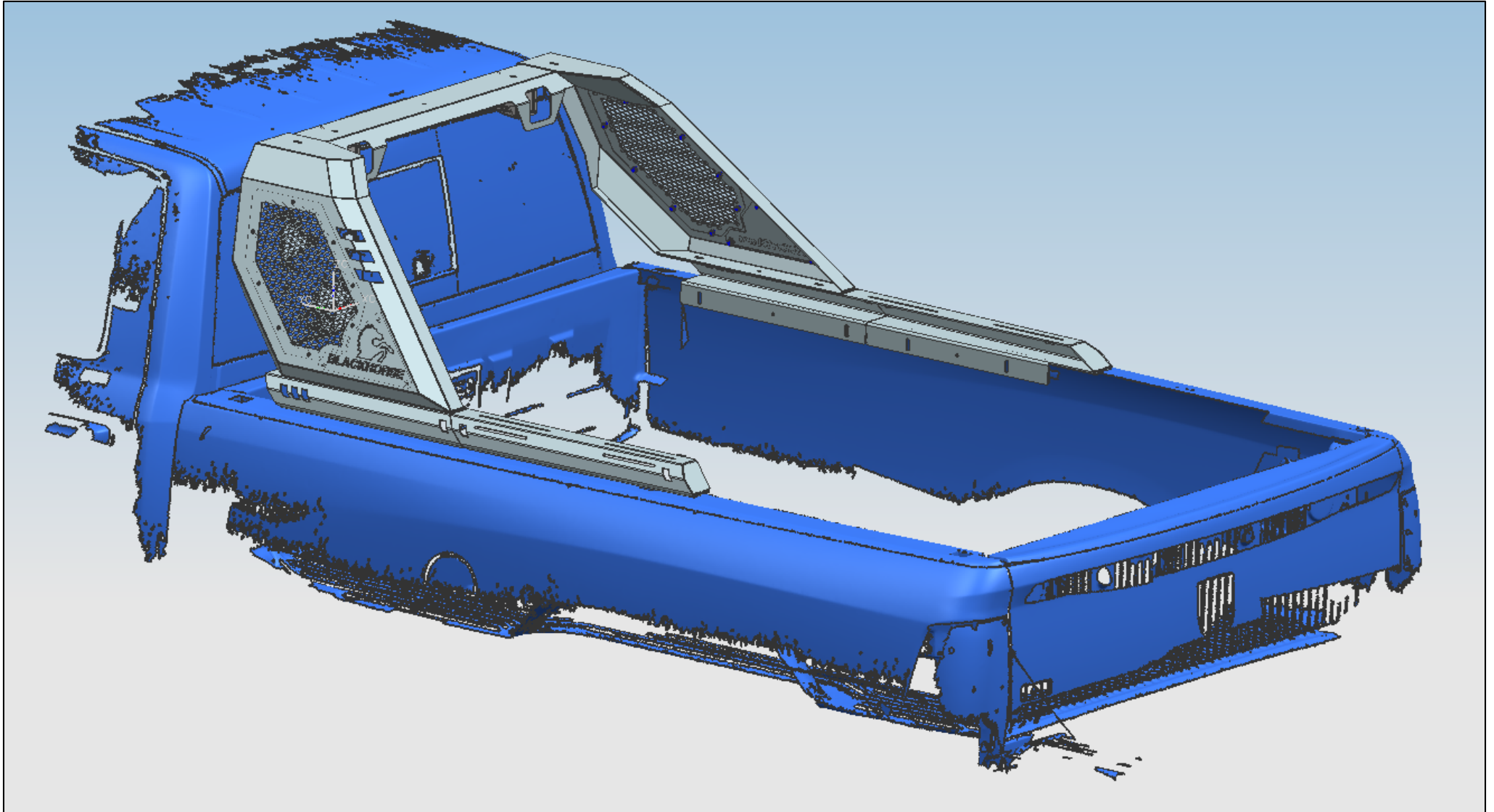
**FOR CHERY SILVERADO 13+:**



**FOR FORD F150 15+:**



**FOR DODGE RAM 13+:**



**NOTE**

Any damages and losses caused by improper installation and application, goes beyond our quality warranty.