

52" SILVER CROSS BAR FOR CHEVY COLORADO 16-20/GMC CANYON 15-20 /NISSAN FRONTIER 05-20/FORD RANGER 19-20(COMPATIBLE WITH TRRB2)



INSTALLATION INSTRUCTIONS

52" SILVER CROSS BAR FOR CHEVY COLORADO 16-20/GMC

CANYON 15-20 /NISSAN FRONTIER 05-20/FORD RANGER

19-20(COMPATIBLE WITH TRRB2)

PART # TR-52BK

PART # TR-52SI

52" SILVER CROSS BAR FOR CHEVY COLORADO 16-20/GMC CANYON 15-20 /NISSAN FRONTIER 05-20/FORD RANGER 19-20(COMPATIBLE WITH TRRB2)

Before Installation

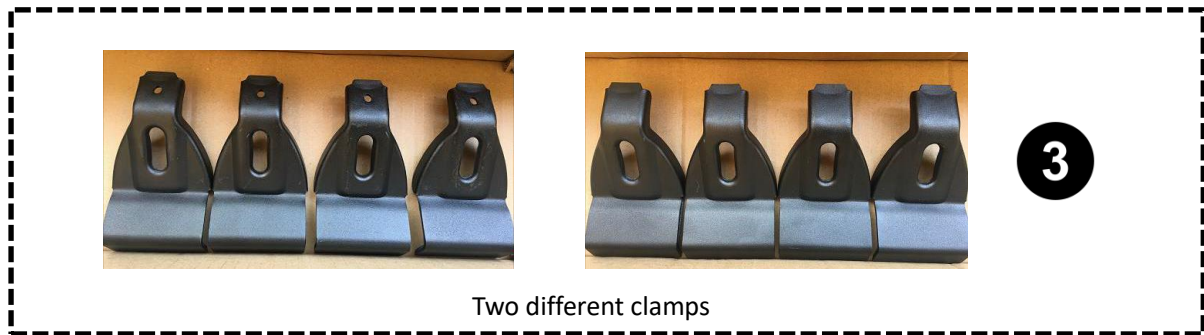
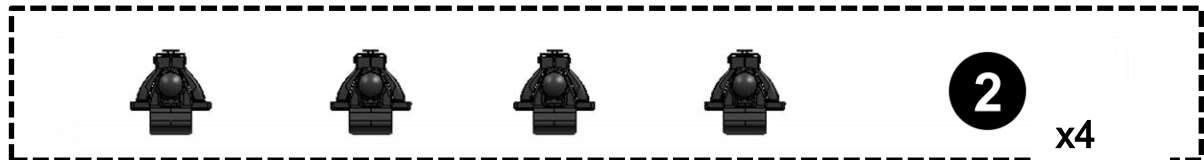
- Please read the instruction completely for easy installation, which will also help you to avoid scratches or other potential damages to your appealing car.
- The figures here are for reference only and may have differences with the actual product you received, however they share the same assembly way.



Care and Cleaning

- Mild soap may be used also to clean the Product.
- Please periodically check and retighten all the hardware and clean the investment for a refresh look.

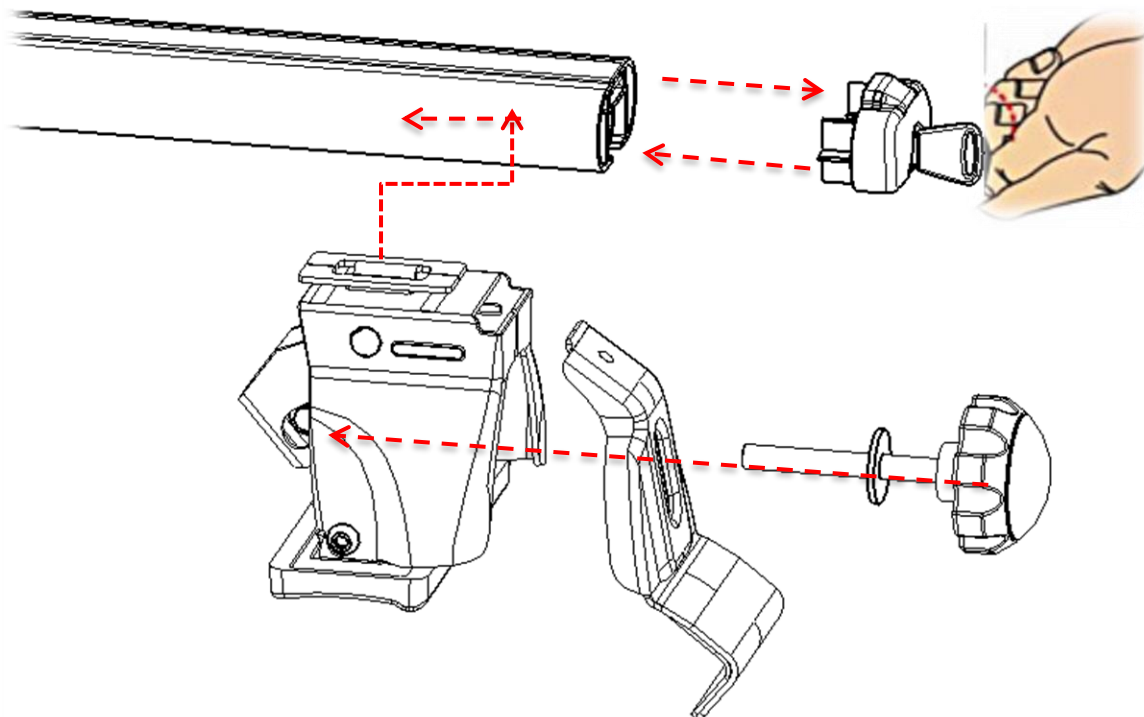
52" SILVER CROSS BAR FOR CHEVY COLORADO 16-20/GMC CANYON 15-20 /NISSAN FRONTIER 05-20/FORD RANGER 19-20(COMPATIBLE WITH TRRB2)



Installation Instruction



52" SILVER CROSS BAR FOR CHEVY COLORADO 16-20/GMC CANYON 15-20 /NISSAN FRONTIER 05-20/FORD RANGER 19-20(COMPATIBLE WITH TRRB2)



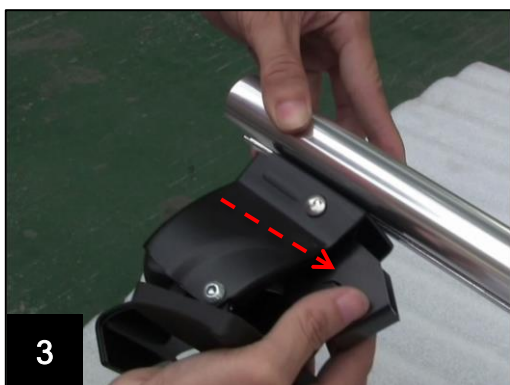
Installation Steps

Step 1:

Open the locks of two sides, then put the support base into cross bar, then lock the locks.

Notice: Make the mobile plate forward before put support base into cross bar.

(The left side's installation way is the same with the right.)



Step 2:

52" SILVER CROSS BAR FOR CHEVY COLORADO 16-20/GMC CANYON 15-20 /NISSAN FRONTIER 05-20/FORD RANGER 19-20(COMPATIBLE WITH TRRB2)

Install the installed cross bar on the top of vehicle. (The two side's installation method is the same)

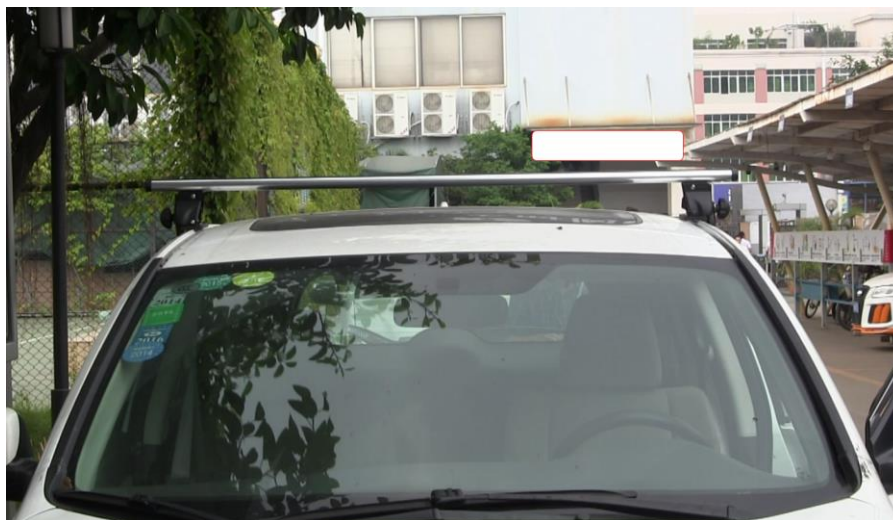
Notice: There are two kinds of clamps for you option.

1. Put the support base on the rain gutter and hook the edge of roof. If find the clamp is not suitable, pls change to use another clamps.
2. Stress fully the support base to the arrow direction, then screw the plastic bolts tightly and close the door.



Step 3:

Inspect the cross bar if it is in correct position, if yes, make sure to tighten all the bolts. If not, adjust the bolts to the right position, then tighten.



52" SILVER CROSS BAR FOR CHEVY COLORADO 16-20/GMC CANYON 15-20 /NISSAN FRONTIER 05-20/FORD RANGER 19-20(COMPATIBLE WITH TRRB2)

Step 4: Complete Installation

NOTE

Any damages and losses caused by improper installation and application, goes beyond our quality warranty.

[Learn more about roof racks and cargo carriers we have.](#)