

# Installation Instructions

## SUP-GM01-19

2019-2021 Chevrolet / 2019 -2021 GMC Sierra 1500

Crew Cab SUPERIOR Side Steps WTW-STEP DOWN

### PARTS LIST

	2	Step bars	(3)	12	Lock washers (8 mm)
(A)	4	Mounting brackets	(4)	12	U-nut (8 mm)
(B)	2	Middle mounting brackets	(5)	12	Round head square neck bolt (3/8" * 3/4")
(1)	12	Hex head bolts (M8-1.25*25)	(6)	12	Serrated flange nut (3/8")
(2)	12	Flat washers (8 mm)			

### PROCEDURE

- 1: Read and understand instructions completely before beginning installation.
- 2: Starting on the driver's side. Remove the rubber plug see Figure 1. Then locate front mounting location and locate (1) mount bracket A and loosely install onto rocker panel using (1) M8 hex head bolts, (2) M8 flat washers and (3) M8 lock washers. See Figure 2.
- 3: Install three rocker panel brackets to the attachments points located on the backside of the channel using supplied (5) 3/8" x 3/4" carriage bolts and (6) 3/8" flange nuts. Leave finger tight for now. See Figures 3.
- 3: Repeat step 2 and 3 for the rear of the driver side mount locations. Use bracket B for driver side.
- 4: Repeat step 2 and 3 for the passenger side but use mount bracket A instead of mount bracket B.
- 5: Align and adjust step bars as necessary then tighten hardware.

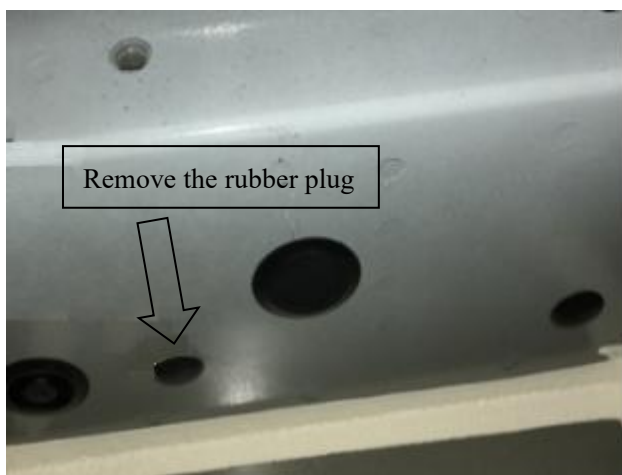


Figure 1

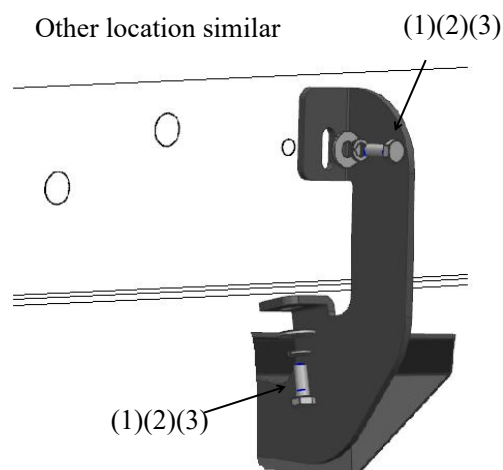


Figure 2

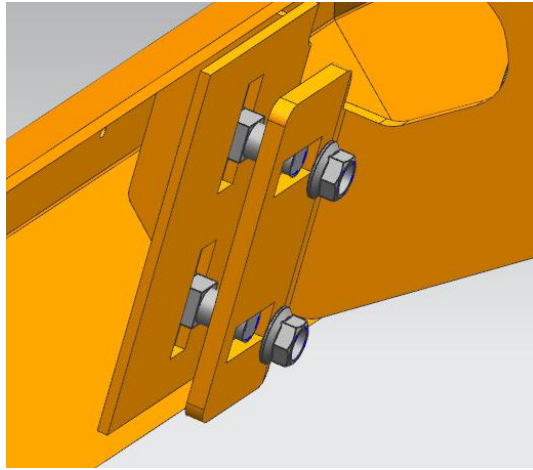
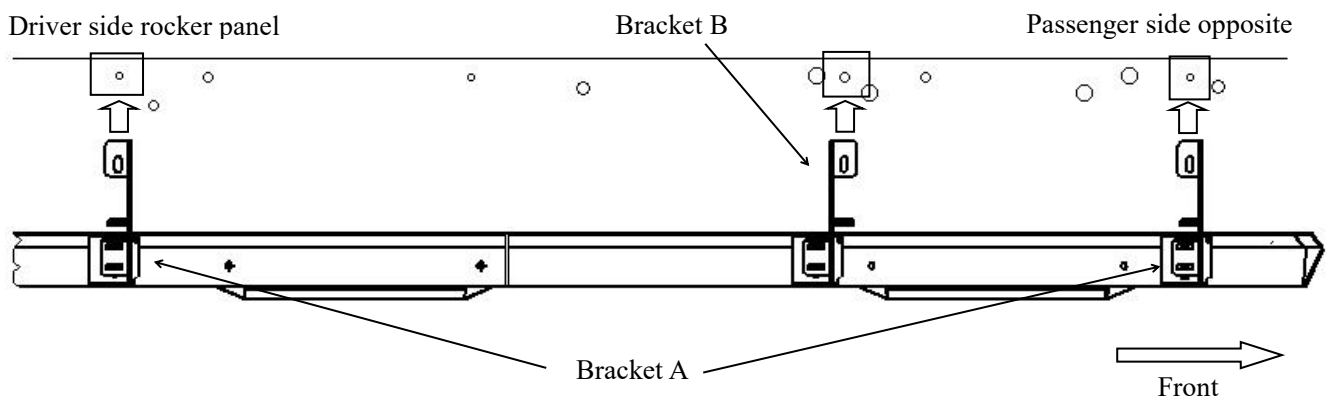


Figure 3



[View other running boards and step bars made by Black Horse on our website.](#)