

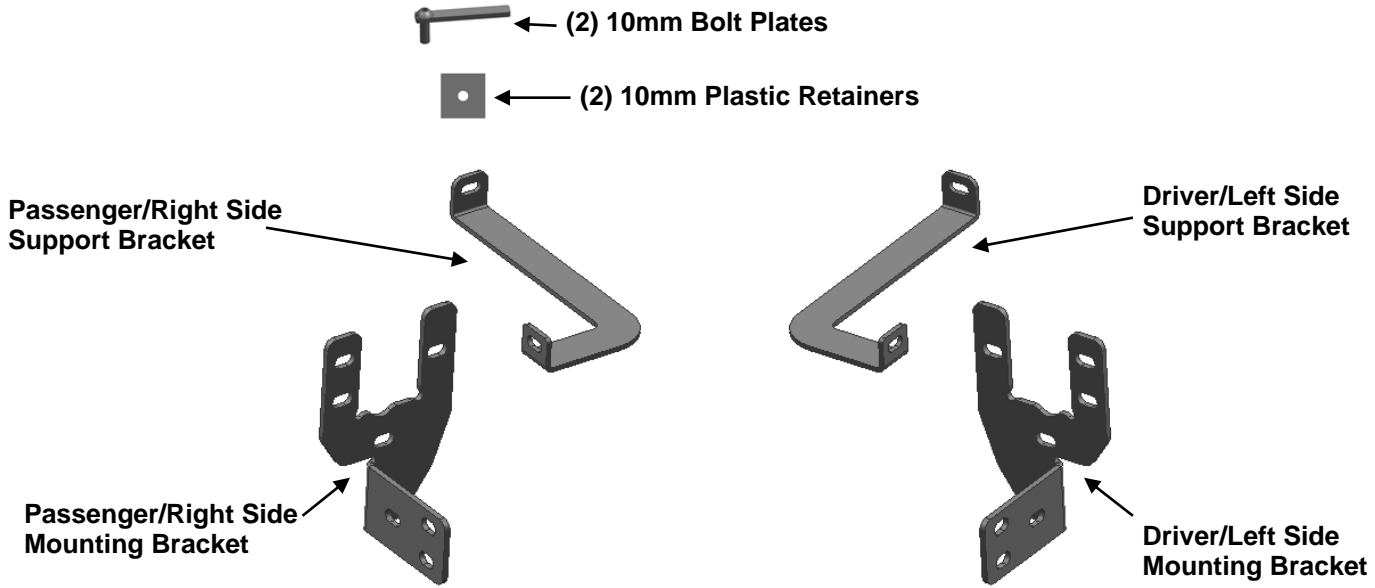


INSTALLATION INSTRUCTIONS

**MODULAR RUGGED GRILLE GUARD FOR
05-15 TOYOTA TACOMA
PART# RU-TOTA05-B**

PARTS LIST:

1	Main Body	1	Allen Wrench S=8
1	Driver/Left Brush Guard	18	8mm x 24mm OD x 2mm Flat Washers
1	Passenger/Right Brush Guard	10	8mm x 25mm Button Head Allen Screws
2	LED lamp Bracket	8	8mm Nylon Lock Nuts
1	Driver/Left Side Support Bracket	2	10mm Nylon Lock Nuts
1	Passenger/Right Side Support Bracket	2	10mm x 27mm OD x 3mm Flat Washers
1	Driver/Left Side Mounting Bracket	10	12mm Nylon Lock Nuts
1	Passenger/Right Side Mounting Bracket	6	12mm x 35mm Hex Bolts
2	10mm Bolt Plates	2	12mm x 120mm Hex Bolts
2	10mm Plastic Retainers	20	12mm x 32mm OD x 3mm Flat Washers
1	Allen Wrench S=5	2	12mm x 35mm Button Head Allen Screws



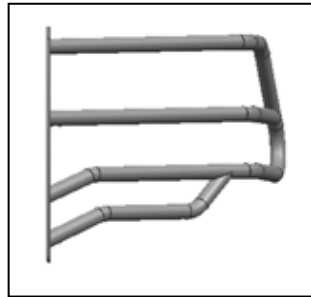
(2)LED lamp Bracket



Main Body
For example only



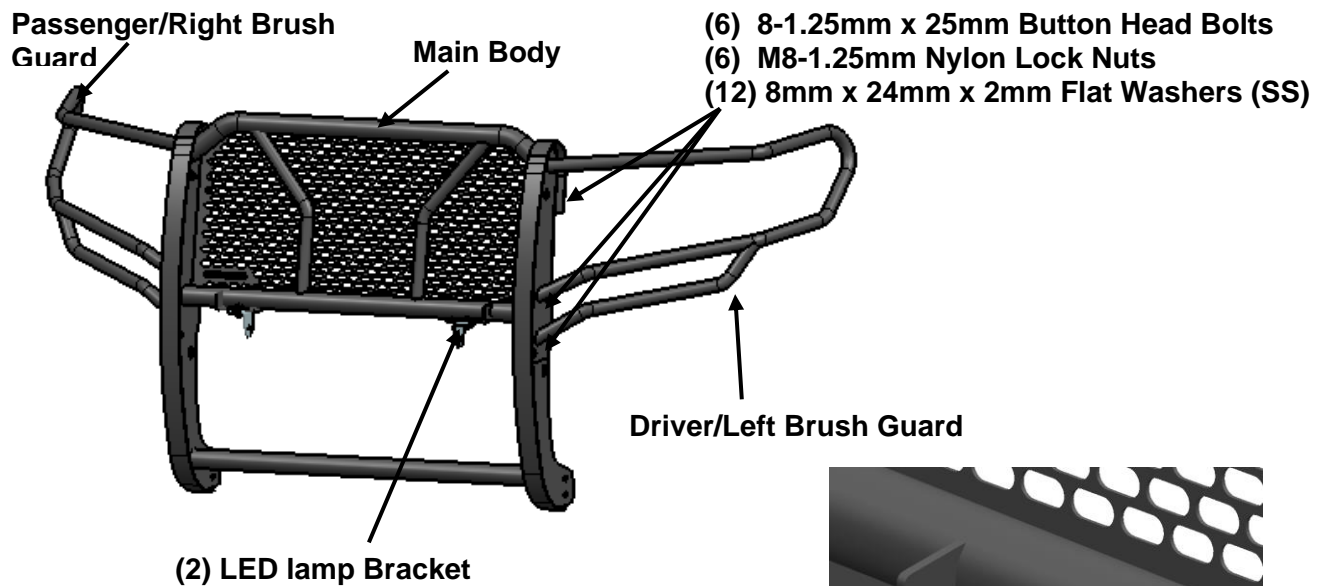
Passenger/Right
Brush Guard
For example only



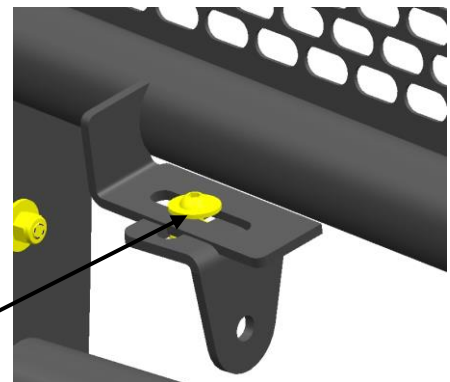
Driver/Left
Brush Guard
For example only

Please Noted:

1. Before you install the Grille Guard on the vehicle, please install the Driver/Left Brush Guard and Passenger/Right Brush Guard on the main body first.
2. Before you install the LED Lamp on the main body please install the LED Lamp Bracket first.
3. If you are not going to install a LED Lamp, the LED Lamp Bracket installation is unnecessary. For main body installation follow the instruction as bellow.



- (2) 8-1.25mm x 25mm Button Head Bolts
(2) M8-1.25mm Nylon Lock Nuts
(4) 8mm x 24mm x 2mm Flat Washers

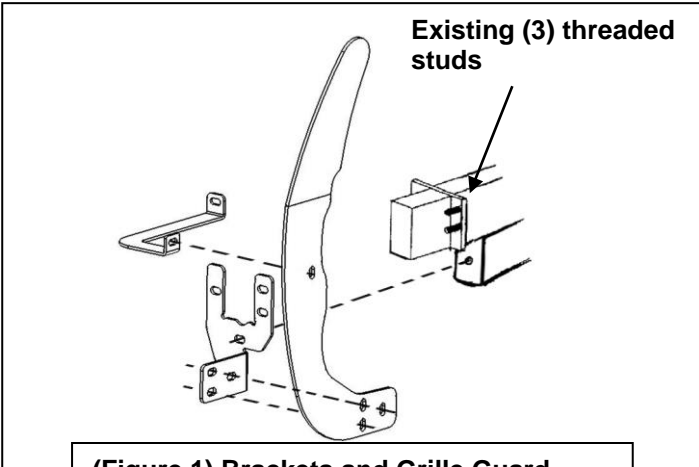


PROCEDURE:

- 1. REMOVE CONTENTS FROM BOX. VERIFY ALL PARTS ARE PRESENT. READ INSTRUCTIONS CAREFULLY BEFORE STARTING INSTALLATION. DO NOT ATTEMPT INSTALLATION ALONE; PERSONAL INJURY OR DAMAGE TO THE TRUCK MAY RESULT.**
2. Starting on the driver side, remove the (3) factory nuts bolting the bumper support to the end of the frame channel, **(Figures 1, 4 & 5)**.
3. Line-up the (3) upper holes in the driver side Frame Mounting Bracket with the threaded studs in the end of the frame channel. Bolt the Bracket to the studs using the existing nuts removed in **Step 2**, **(Figures 1, 4 & 5)**. Insert (1) 12mm x 120mm Hex Bolt with (1) 12mm x 32mm Flat Washer through the lower mounting hole in the bracket and into the end of the frame channel. Use the included (1) 12mm x 32mm Flat Washer and (1) 12mm Nylon Lock Hex Nut to secure the Bracket to the lower mounting hole, **(Figure 1, 2 & 5)**. Tighten hardware at this time.
4. Repeat **Steps 2 - 3** for passenger side Frame Mounting Bracket installation.
5. Open the hood on the vehicle. Locate the factory hole on each side of the front of the radiator support crossmember behind the grille insert, **(Bumper removed for instruction purposes ONLY-Figure 6)**. **NOTE: DO NOT remove bumper.** Select (1) 10mm Bolt Plate. Insert the Bolt Plate through the back of the crossmember and through the hole in the front of the crossmember. Thread (1) 10mm Plastic Retainer to hold the Bolt Plate in place, **(Figures 2 & 6 - 9)**.
6. Slide the driver side Support Bracket through the plastic grille opening and attach it to the previously inserted Bolt Plate and Plastic Retainer using the included (1) 10mm Flat Washer and (1) 10mm Nylon Lock Hex Nut, **(Figure 2 & 7)**. Do not tighten hardware. Repeat this Step for passenger side Support Bracket installation, **(Figure 8)**.
7. With assistance, position the Grille Guard onto the outside of the Mounting Brackets. Use the included (6) 12mm x 35mm Hex Bolts, (12) 12mm x 32mm Flat Washers and (6) 12mm Nylon Lock Nuts to attach the Grille Guard to the Mounting Brackets, **(Figures 1 & 3-5)**.
8. Line up the mounting hole in the passenger side Support Bracket with the corresponding hole in the upright on the Grille Guard. Bolt the Support Bracket to the Grille Guard with the included (1) 12mm x 35mm Button Head Bolt, (2) 12mm x 32mm Flat Washers and (1) 12mm Nylon Lock Hex Nut, **(Figure 1, 3 & 9)**. Do not tighten hardware at this time. Repeat this Step to bolt the driver side Support Bracket to the Grille Guard.
9. Align the Grille Guard properly and tighten all hardware.
10. Do periodic inspections to the installation to make sure that all hardware is secure and tight.

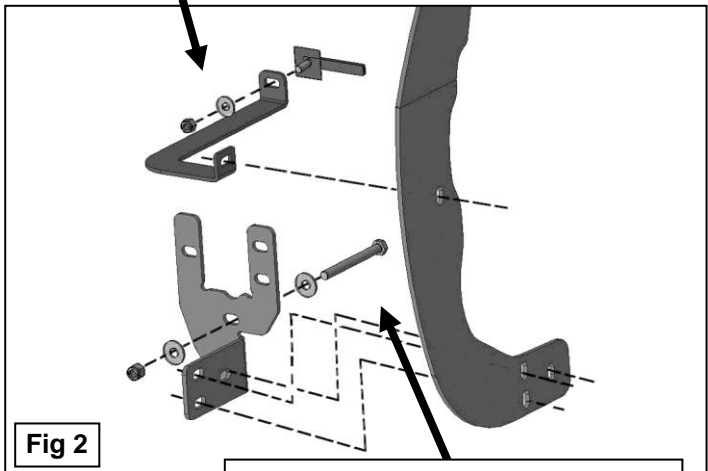
To protect your investment, wax this product after installing. Regular waxing is recommended to add a protective layer over the finish. Do not use any type of polish or wax that may contain abrasives that could damage the finish. Mild soap may be used to clean the Grille Guard.

Driver/Left Side Installation Pictured



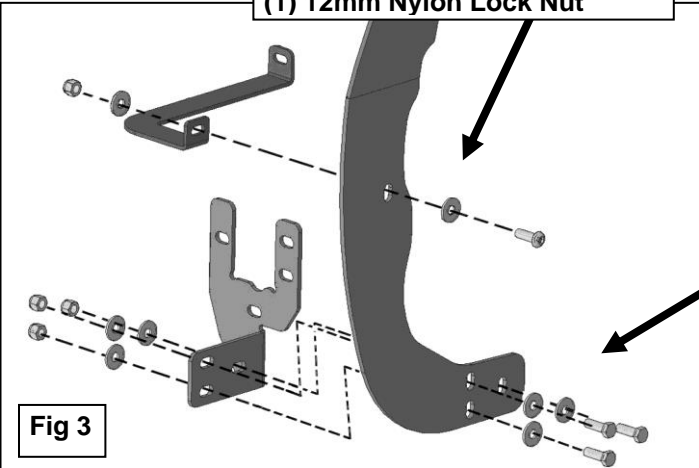
(Figure 1) Brackets and Grille Guard Mounting Locations

- 10mm Bolt Plate
- 10mm Plastic Retainer
- 10mm Flat Washer
- 10mm Nylon Lock Nut



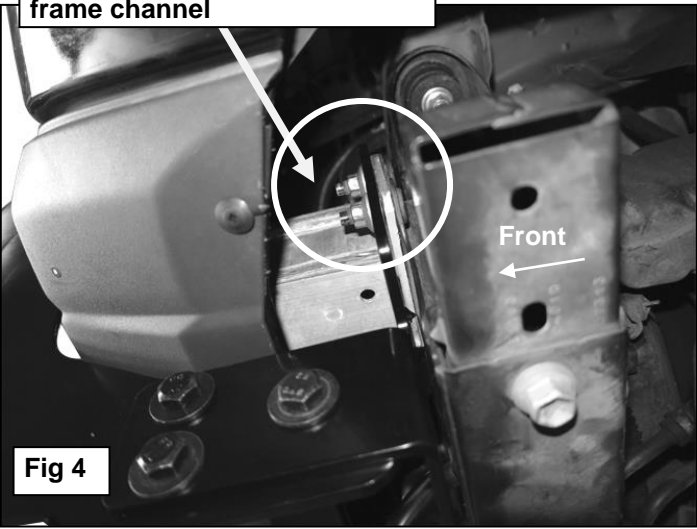
- (1) 12mm x 120mm Hex Bolt
- (2) 12mm x 32mm Flat Washers
- (1) 12mm Nylon Lock Nut

- (1) 12mm Button Head Bolt
- (2) 12mm x 32mm Flat Washers
- (1) 12mm Nylon Lock Nut

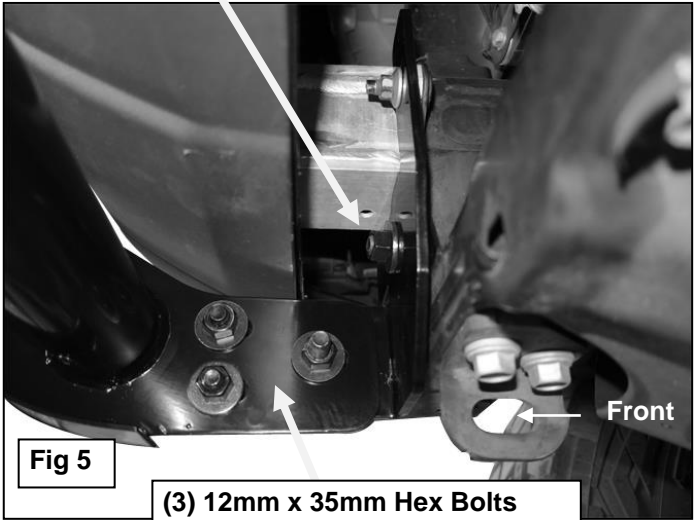


- (3) 12mm x 35mm Hex Bolts
- (6) 12mm x 32mm Flat Washers
- (3) 12mm Nylon Lock Hex Nuts

Factory hex nuts bolting driver side Frame Bracket to end of frame channel



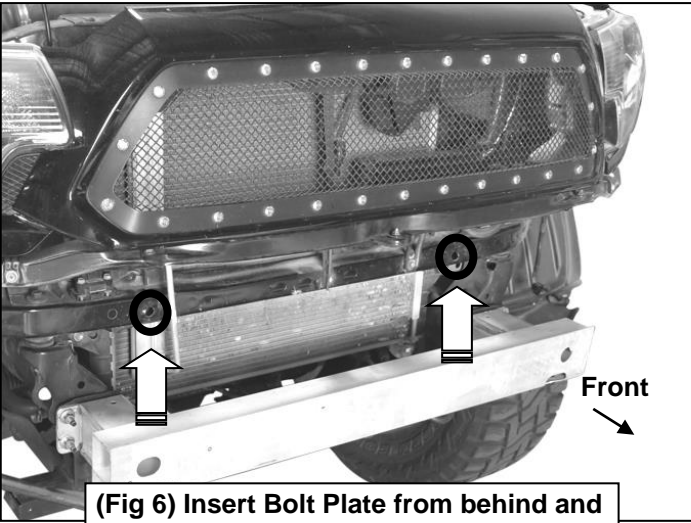
- (1) 12mm x 120mm Hex Bolt
- (1) 12mm x 32mm Flat Washers
- (1) 12mm Nylon Lock Nut



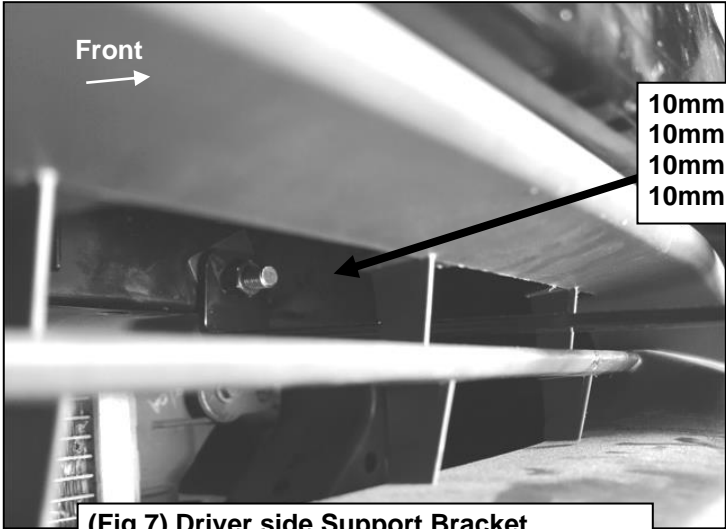
- (3) 12mm x 35mm Hex Bolts
- (6) 12mm x 32mm Flat Washers
- (3) 12mm Nylon Lock Nuts

NOTE: Bumper Removed for instruction purposes ONLY. DO NOT remove bumper.

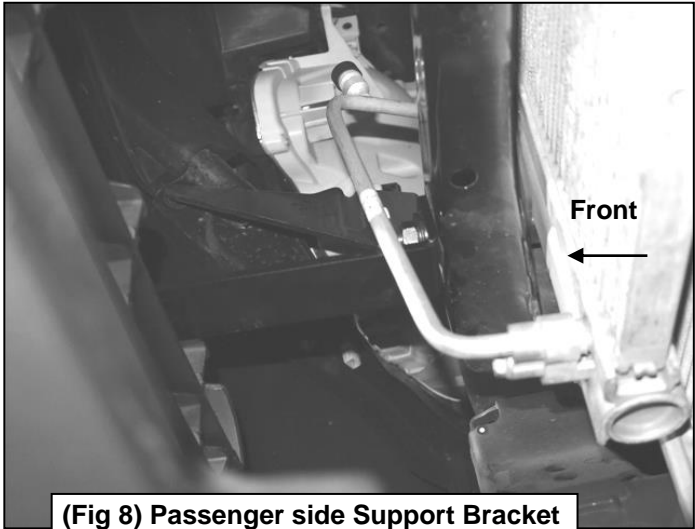
NOTE: It is not necessary but it may be easier to bolt the Support Brackets to the horizontal crossmember in front of the radiator after the factory skid plate has been removed



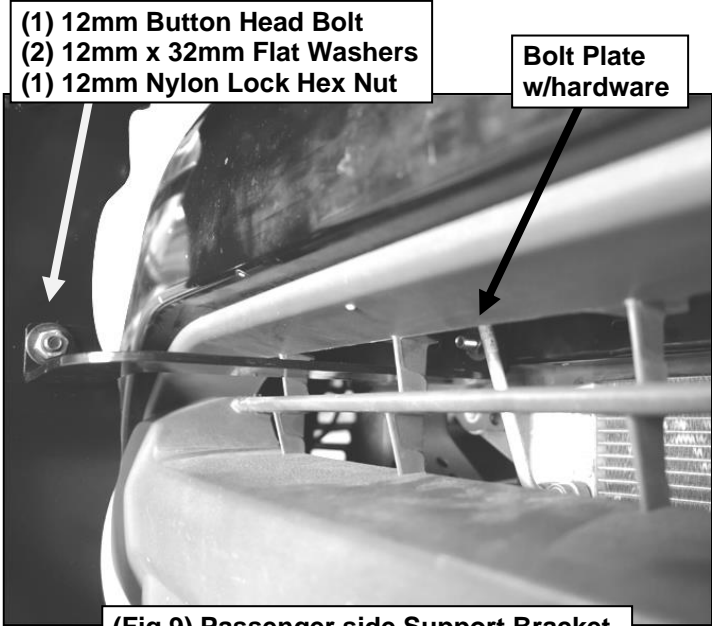
(Fig 6) Insert Bolt Plate from behind and through hole in front of crossmember.



(Fig 7) Driver side Support Bracket installation pictured through grille opening



(Fig 8) Passenger side Support Bracket installation pictured from below



(Fig 9) Passenger side Support Bracket installation through grille opening