

BLACK UNIVERSAL ROLL BAR FOR 1/2 TON TRUCKS (GM SILVERADO 2015-FORD F150 2015) FLAT BASE
WITH LED BRAKE LIGHT



INSTALLATION INSTRUCTIONS

**BLACK UNIVERSAL ROLL BAR FOR 1/2 TON TRUCKS (GM
SILVERADO 2015-FORD F150 2015) FLAT BASE WITH LED BRAKE
LIGHT**

PART # RB001BK


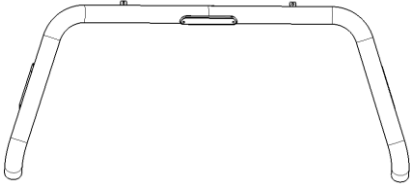
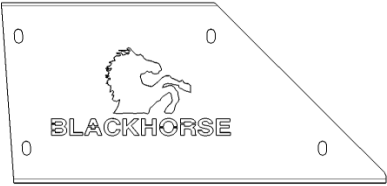

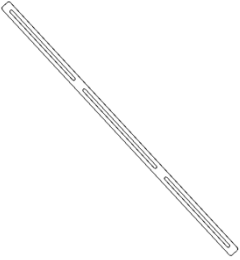
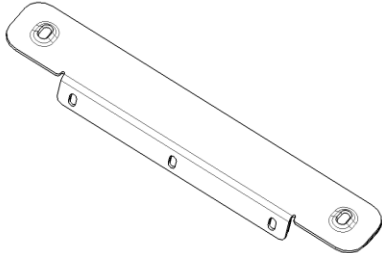

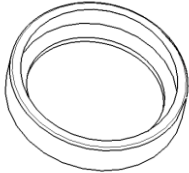
Before Installation

- Please read the instruction completely for easy installation, which will also help you to avoid scratches or other potential damages to your appealing car.
- The information shown here is for reference only and may differ from the product that you receive, however the goods are fitted in the same way.


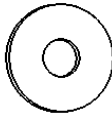

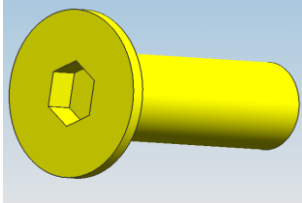

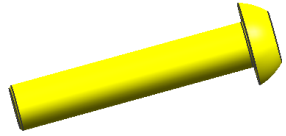
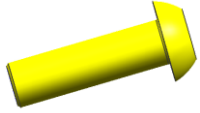



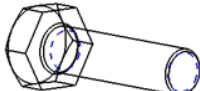

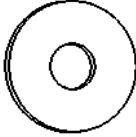



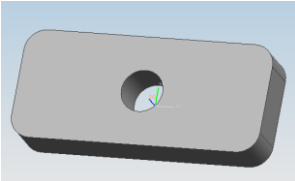
Care and Cleaning

- Mild soap may be used also to clean the Product.
- Please periodically check and retighten all the hardware and clean the investment for a refresh look.

Parts list

NO.	QTY	PICTURE	NO.	QTY	PICTURE
①	1	 Pipe 1	②	1	 Pipe 2
③	1	 Decoration plate-L	④	1	 Decoration plate-R
⑤	2	 Connecting plate (FOR LED LIGHT INSTALLATION)	⑥	2	 Support plate
⑦	1	 Allen wrench S=8	⑧	4	 Gum cover

BLACK UNIVERSAL ROLL BAR FOR 1/2 TON TRUCKS (GM SILVERADO 2015-FORD F150 2015) FLAT BASE
WITH LED BRAKE LIGHT

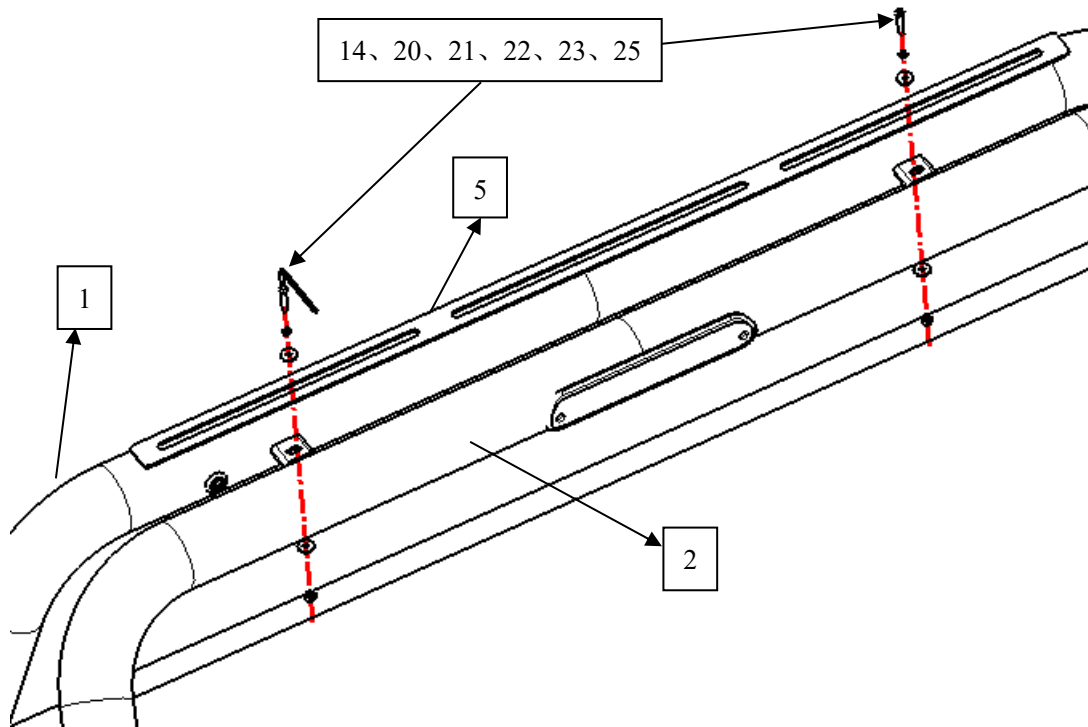
⑨	1	 Allen wrench S=4	⑩	16	 Flat washer D6
⑪	8	 Spring washer D6	⑫	4	 Button head allen bolts M12-40
⑬	8	 Hex nut M6	⑭	2	 Button head allen bolts M8-40
⑮	8	 Button head allen bolts M6-20	⑯	6	 Spring washer D12
⑰	12	 Flat washer D12	⑱	6	 Hex nut M12
⑲	6	 Hex nut M12*40	⑳	2	 Hex nut M8
㉑	4	 Flat washer D8	㉒	2	 Spring washer D8
㉓	1	 Allen wrench S=5	㉔	1	 Allen wrench S=2.5
㉕	2	 Block			

Installation Steps

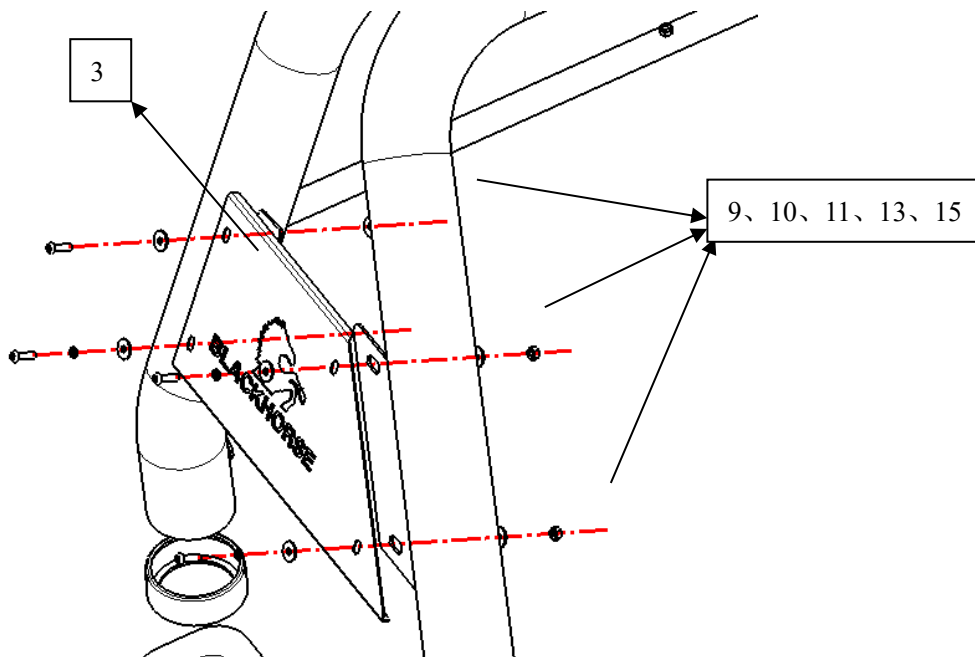
Installation Fig.

Step 1: Verify all parts are present.

Step 2: Use wrench 9 to install 1/2 main pipes and connecting plate 5 together with parts 10/11/13/14 as shown.

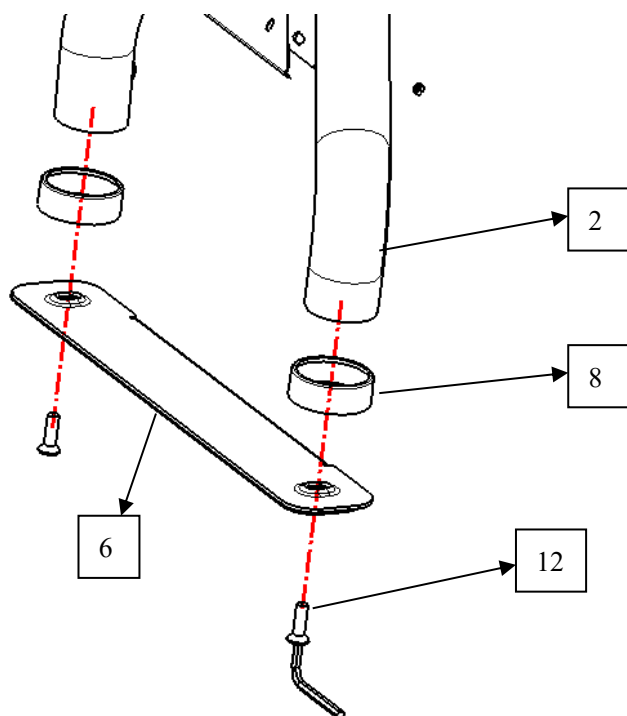


Step3: Using wrench 9, install 3/4 decoration plate together with parts 10/11/13/15 as shown.

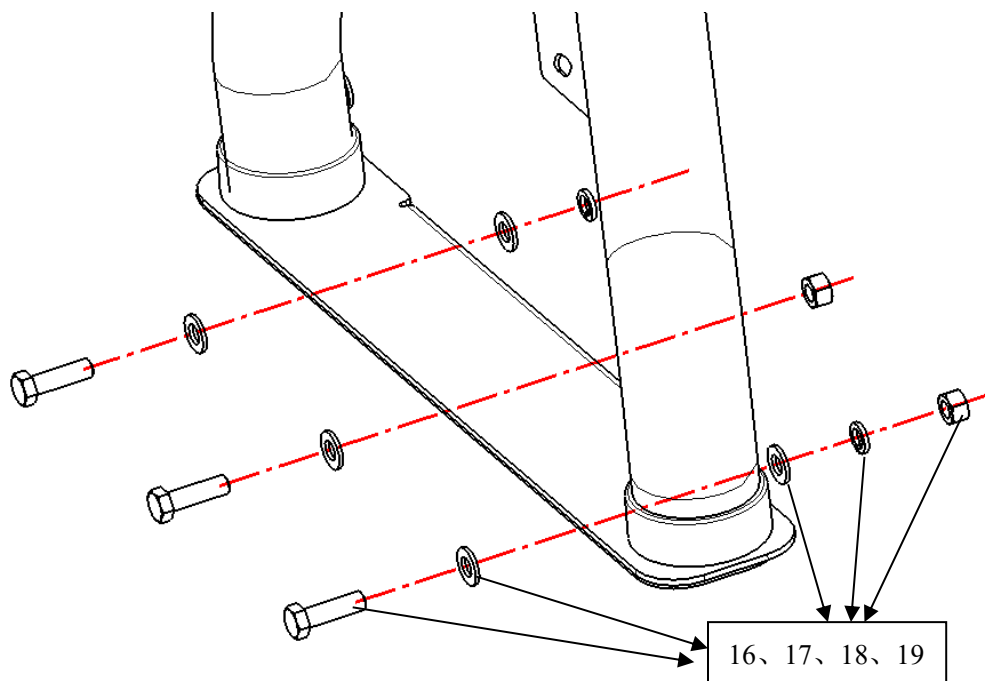


BLACK UNIVERSAL ROLL BAR FOR 1/2 TON TRUCKS (GM SILVERADO 2015-FORD F150 2015) FLAT BASE
WITH LED BRAKE LIGHT

Step4: Using wrench 7, install support plate 6 and gum cover 8 with part 12.

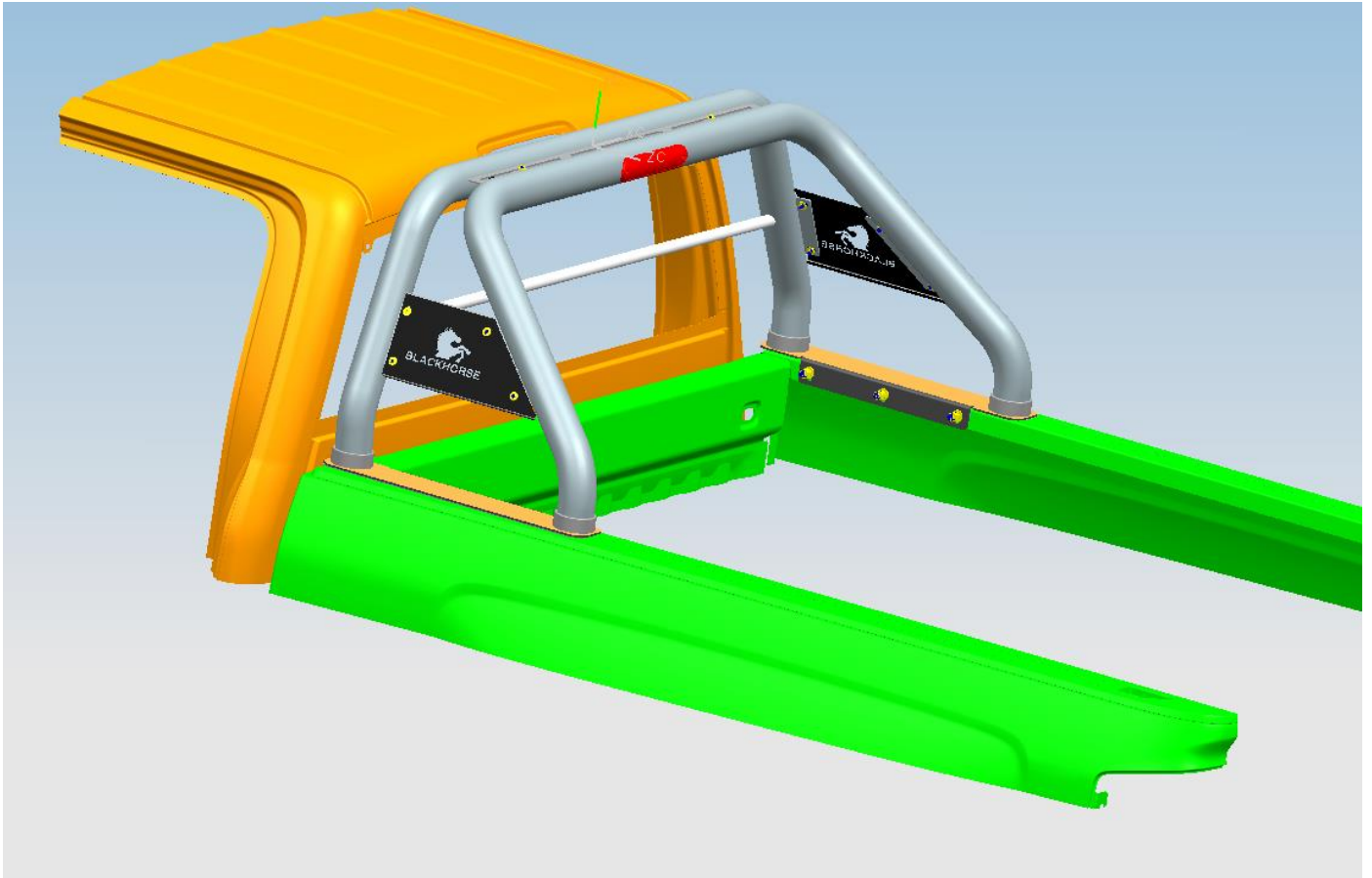


Step 5: Fix the roll bar on the trunk with parts 16/17/18/19 (need to drill the trunk if there's no installation holes). Test and make sure that the roll bar is steadily fixed, and then tighten all the hardware.



BLACK UNIVERSAL ROLL BAR FOR 1/2 TON TRUCKS (GM SILVERADO 2015-FORD F150 2015) FLAT BASE
WITH LED BRAKE LIGHT

Step 6: Installation is finished, pick up all tools.



NOTE

Any damages and losses caused by improper installation and application, goes beyond our quality warranty.