



INSTALLATION INSTRUCTIONS

**MAX T BULL BAR FOR 2010-2019 Toyota 4Runner (Exclude
14-19 Limited)(BBMAX12T+MT03)**

PART # MBT-MT0312

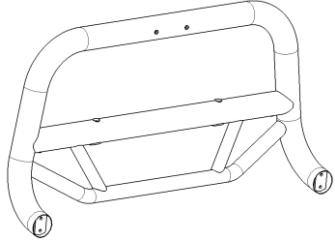
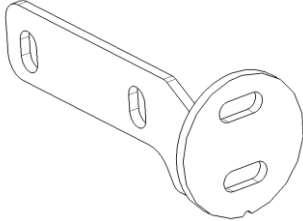
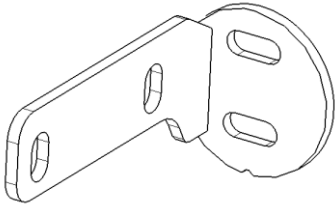
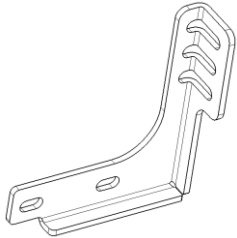
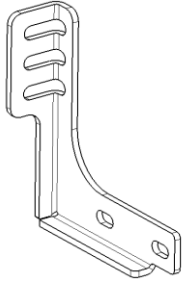
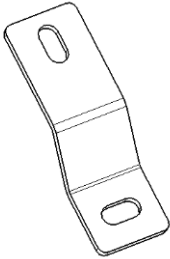
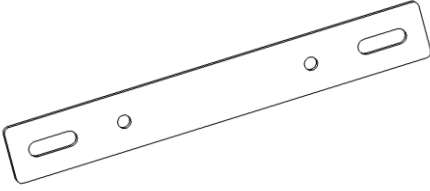
Before Installation

- Please read the instruction completely for easy installation, which will also help you to avoid scratches or other potential damages to your appealing car.
- The figures here are for reference only and may have differences with the actual product you received, however they share the same assembly way.

Care and Cleaning

- Mild soap may be used also to clean the Product.
- Please periodically check and retighten all the hardware and clean the investment for a refresh look.

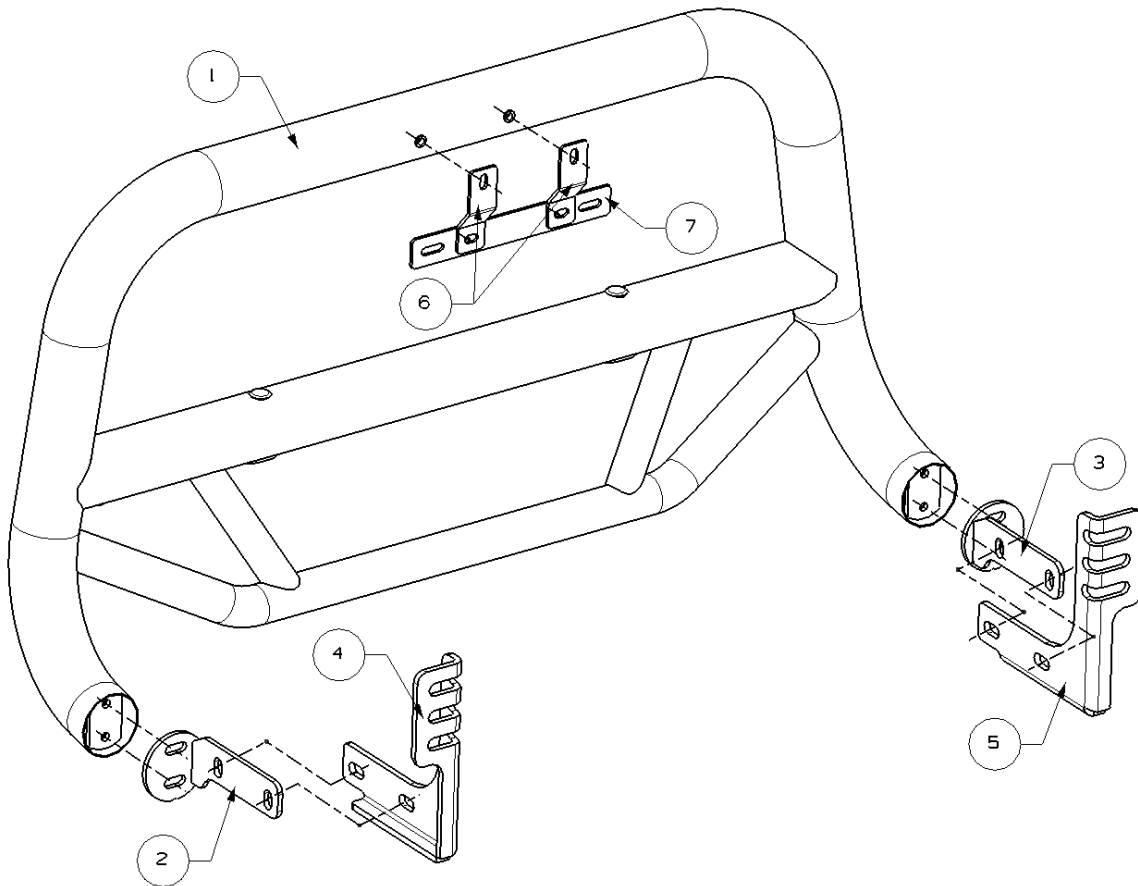
Parts list

NO.	QTY	NAME	NO.	QTY	NAME
①	1	 BULL BAR	②	1	 LEFT TUBE BRACKET
③	1	 RIGHT TUBE BRACKET	④	1	 LEFT FRAME BRACKET
⑤	1	 RIGHT FRAME BRACKET	⑥	2	 LICENSE PLATE BRACKET1
⑦	1	 LICENSE PLATE BRACKET2			

⑧	4	LICENSE PLATE BRACKET2 M6_20	⑨	4	FLAT WASHER D8_22_2
⑩	8	FLAT WASHER D10_27_3	⑪	4	FLAT WASHER M10_35
⑫	4	HEX BOLT M8_35	⑬	4	HEX BOLT M6
⑭	4	NYLON LOCK NUT M10	⑮	2	HEX BOLT M6_20
⑯	4	FLAT WASHER D6 (6x12x1.6mm)	⑰	4	LOCK WASHER D8
⑱	4	LOCK WASHER D6	⑲	1	Wrench S=4

Installation Steps

Installation Fig.

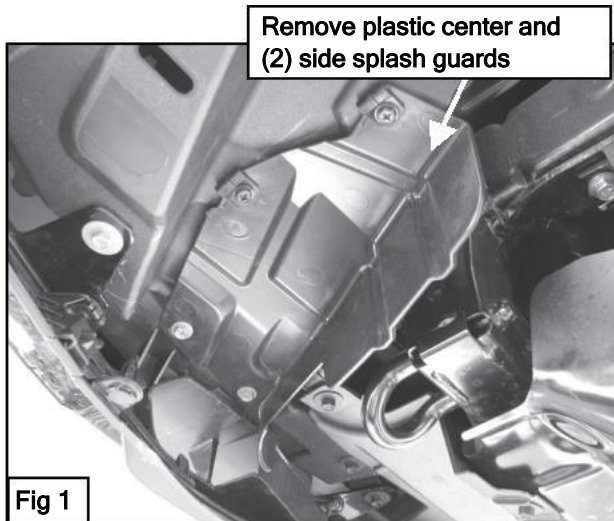


STEP 1:

If equipped, from under the front of the vehicle, remove the driver side and passenger side plastic splash guards and place them on a clean, stable work area, (Fig 1). To make reinstallation easier, note type and location of all factory fasteners. The plastic center splash guard may also be removed for better access to hardware if necessary.

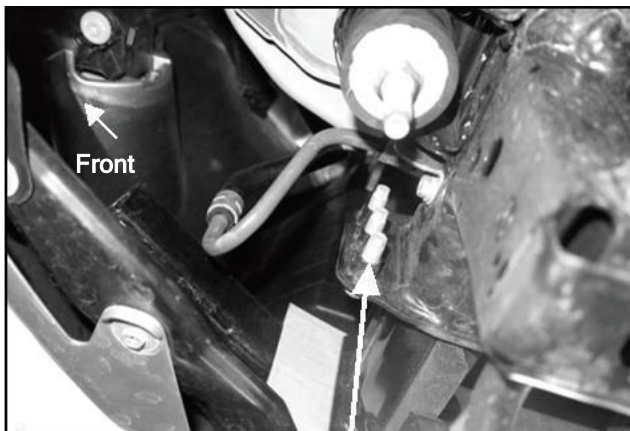
IMPORTANT: Apply masking tape to the openings in the bumper to protect the painted finish during

bracket installation.

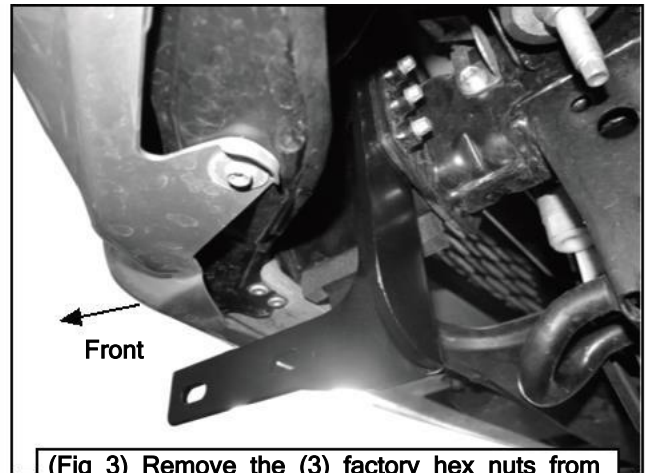


STEP 2:

Starting on the driver side, remove the (3) factory bumper mount bolts located toward the outside of the bumper mount, (Fig 2). Select the driver side Frame Mounting Bracket and hold it up behind the bumper. Align the holes in the Frame Mounting Bracket with the (3) bumper bolts. Attach the Bracket to the bumper bolts using the factory hex nuts, (Fig 3). Snug but do not tighten the hardware.



(Fig 2) Driver/right mounting location pictured



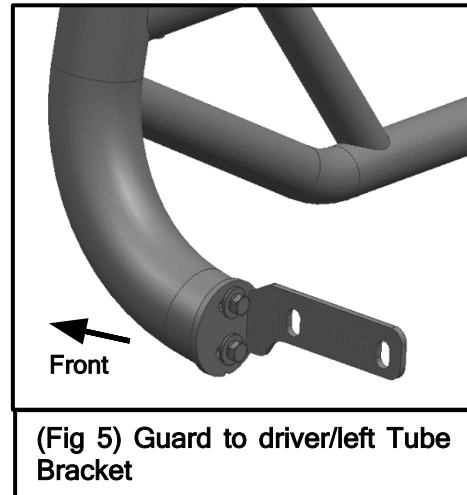
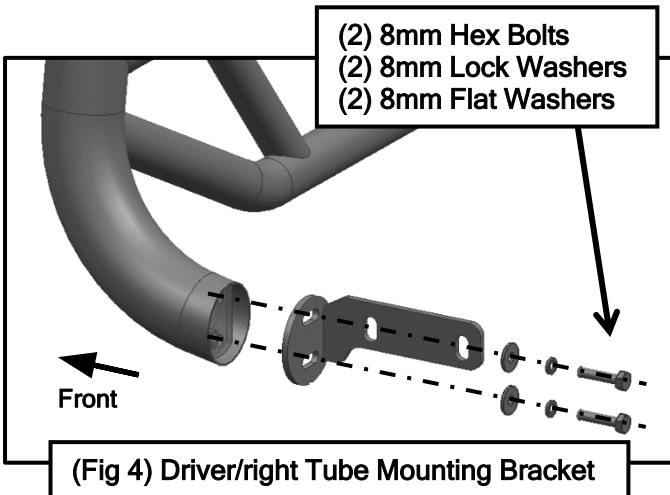
(Fig 3) Remove the (3) factory hex nuts from behind the bumper. Reuse the hex nuts to attach the driver side Frame Mounting Bracket to the back of the bumper bracket

STEP 3:

Repeat Step 2 for the passenger side Mounting Bracket installation.

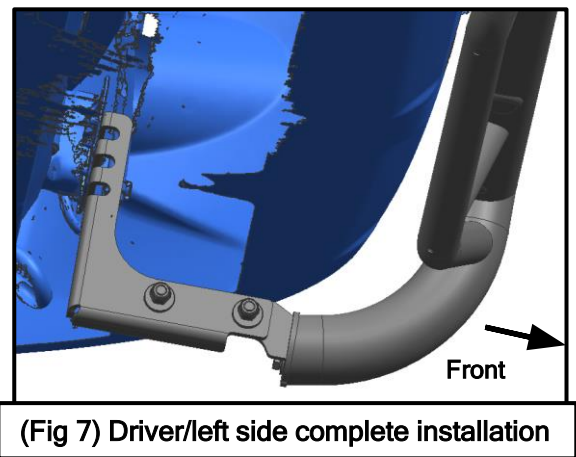
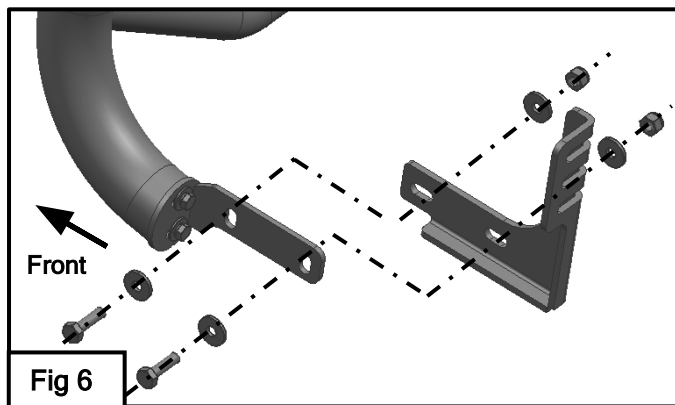
STEP 4:

Carefully unwrap the Guard. Select (1) driver side Tube Mounting Bracket. Attach the Bracket to the end of the Guard with (2) 8mm Hex Bolts, (2) 8mm Lock Washers and (2) 8mm Flat Washers, (Figs 4-5). Do not tighten hardware at this time.



STEP 5:

Repeat Step 4 for the passenger side Tube Mounting Bracket installation.



STEP 6:

With help, position the Guard with Tube Brackets up to the inside of the Mounting Brackets. Use the included (4) 10mm Hex Bolts, (8) 10mm Flat Washers and the (4) 10mm Nylon Lock Nuts to attach the Tube Brackets to the Mounting Brackets, (Figs 6-7). Do not tighten hardware at this time.

STEP 7:

Stand back from the vehicle and check to see that the Guard is centered and level on the vehicle. Tighten the Mounting Bracket hardware first, then tighten the (4) 8mm Hex Bolts securing the Tube Brackets to the Guard as described in Step 4.

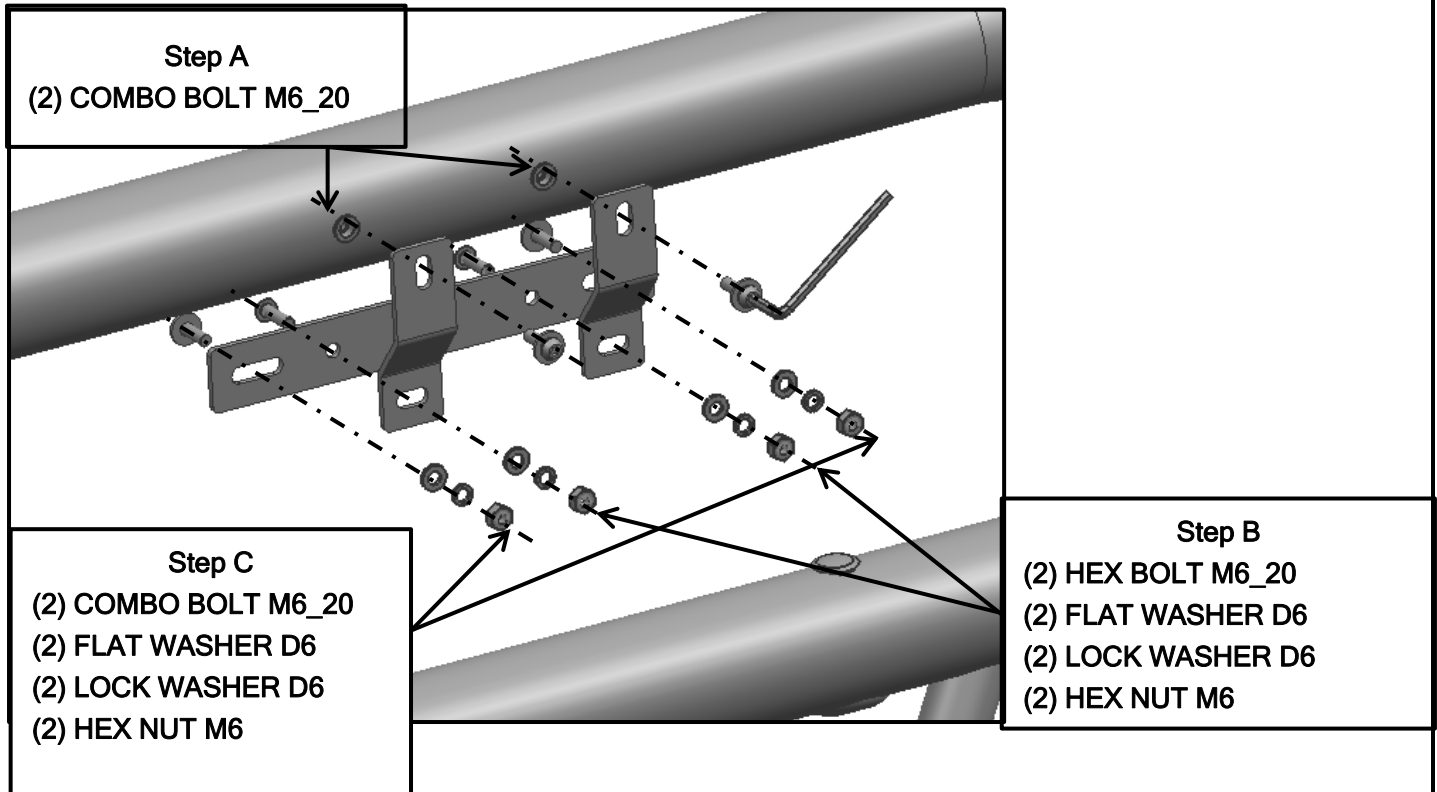
STEP 8:

Install the license plate as the picture shown

Step A. Connect the license plate bracket1 to guard by Combo bolt M6_20.

Step B. Connect the license plate bracket 1 with license plate bracket 2 by (2) HEX BOLT M6_20;
(2) FLAT WASHER D6;(2) LOCK WASHER D6;(2) HEX NUT M6.

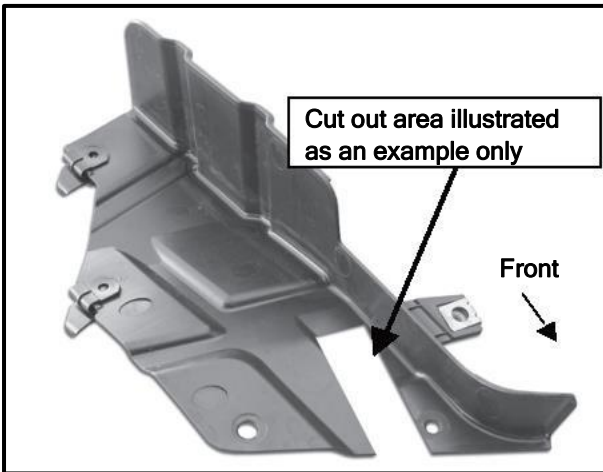
Step C. Install the license plate to license plate bracket 2 by (2) COMBO BOLT M6_20;
(2) FLAT WASHER D6;(2) LOCK WASHER D6;(2) HEX NUT M6

**STEP 9:**

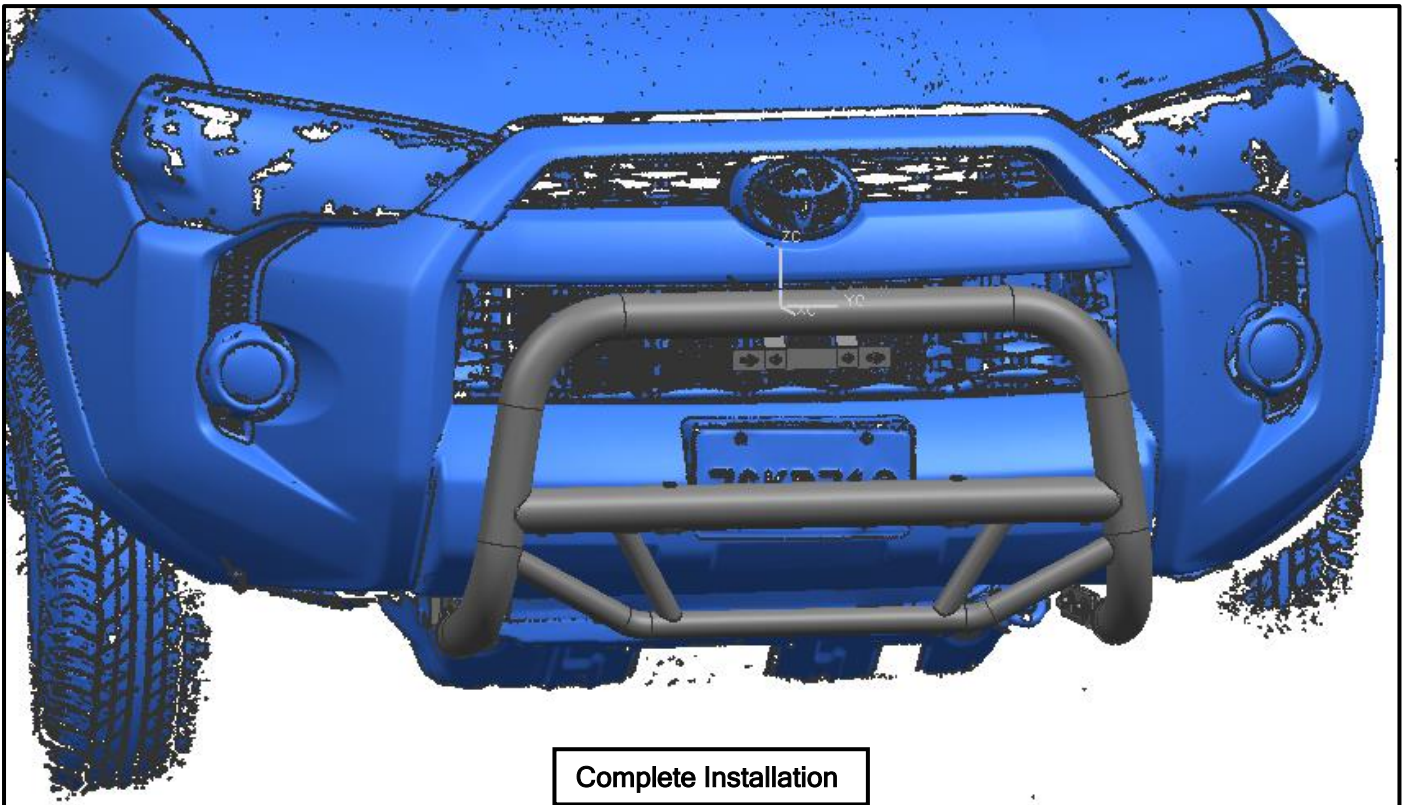
If equipped with a splash guard, Select the driver side plastic splash guard and hold it up in position against the Frame Mounting Bracket. Mark the area that needs to be removed from the splash guard to clear the Mounting Bracket. Check the location carefully and cut only the minimum amount of plastic from the splash guard to clear the Bracket, (Fig 8). Once the slot has been checked for clearance, reinstall the splash guard with the factory hardware. Repeat this step to reinstall the passenger side splash guard.

STEP 10:

Do periodic inspections of the installation to make sure that all hardware is secure and tight.



(Fig 8) Driver/left side splash guard pictured



Complete Installation

NOTE

Any damages and losses caused by improper installation and application, goes beyond our quality warranty.