



INSTALLATION INSTRUCTIONS

MAX T BULL BAR FOR 2009-2018 Ram 1500 (Exclude Rebel models.)(BBMAX12T+MR13)

PART # MBT-MR1312

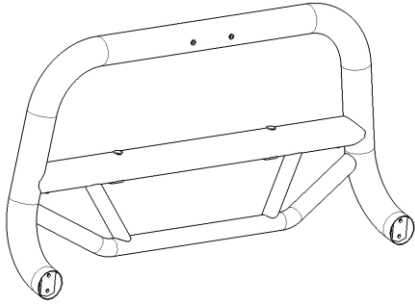
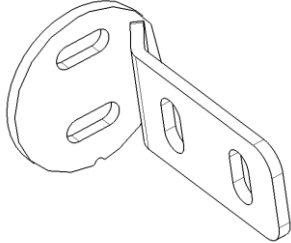
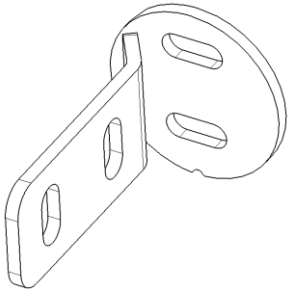
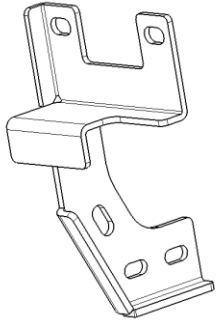
Before Installation

- Please read the instruction carefully before starting installation, which will help you to avoid scratches or other potential damages to your appealing car.
- The figures here are for reference only and may have differences with the actual product you received, however they share the same assembly way.

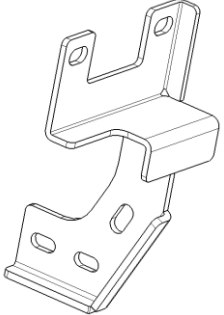
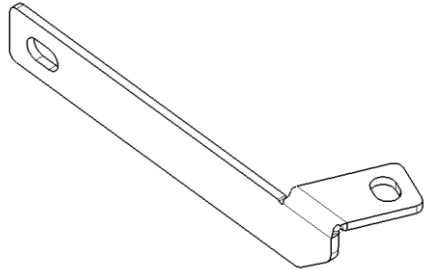
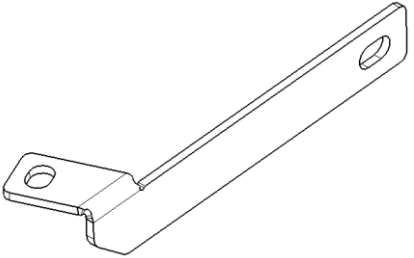
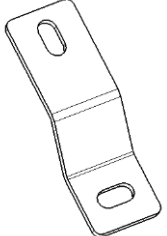
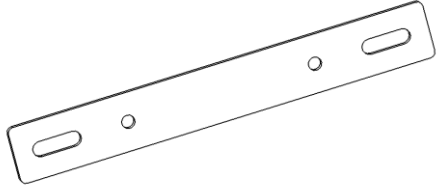
Care and Cleaning

- Mild soap may be used also to clean the Product.
- Do periodic inspections to the installation to make sure that all hardware is secure and tight.

Parts List

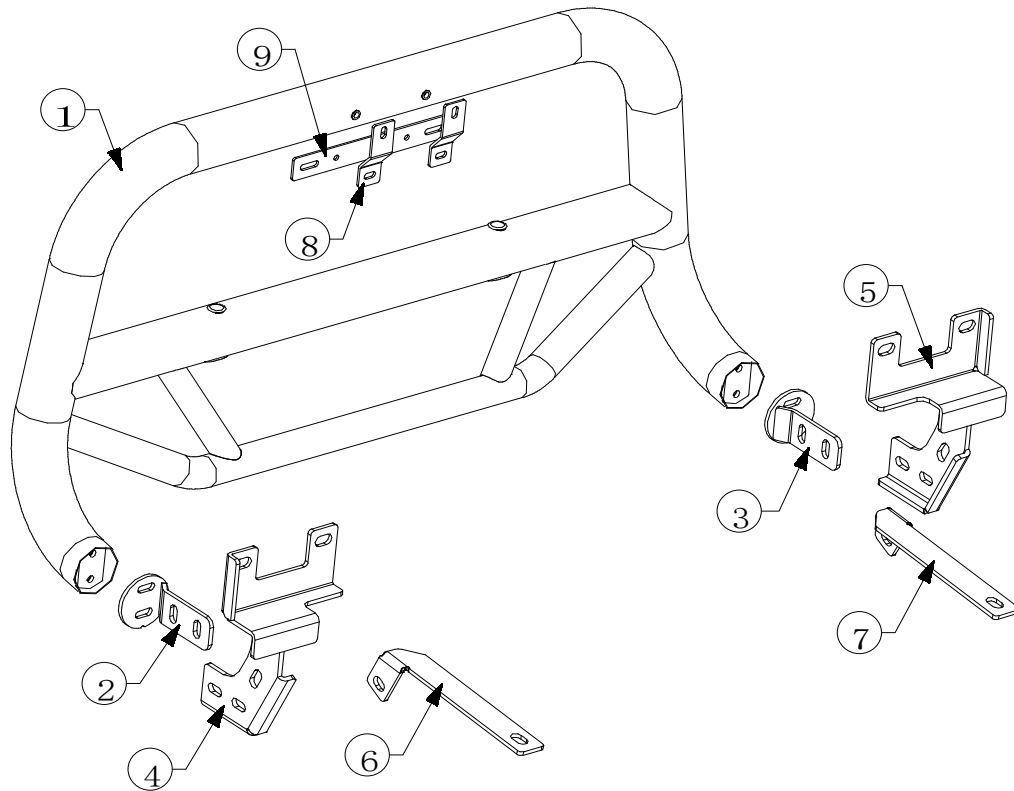
NO.	QTY	NAME	NO.	QTY	NAME
①	1	 BULL BAR	②	1	 Upper/Tube Bracket (L)
③	1	 Upper/Tube Bracket (R)	④	1	 Mounting Bracket (L)

MAX T BULL BAR FOR 2009-2018 Ram 1500 (Exclude Rebel models.)(BBMAX12T+MR13)

⑤	1	 Mounting Bracket (R)	⑥	1	 Support Bracket (L)
⑦	1	 Support Bracket (R)	⑧	2	 License Plate Bracket 1
⑨	1	 License Plate Bracket 2			
⑩	4	Combo Bolts M6_20	⑪	2	Hex Bolts M6_20
⑫	2	Hex Bolts M12x1.5_30	⑬	6	Hex Bolts M12_35
⑭	4	Hex Bolts M8_35	⑮	4	Lock Washers D12
⑯	4	Lock Washers D8	⑰	4	Lock Washers D6
⑱	4	Flat Washers D8_22_2	⑲	14	Flat Washers D12_32_3
⑳	4	Flat Washers D6	㉑	2	Hex Nuts M12
㉒	4	Hex Nuts M12	㉓	4	Hex Nuts M6
㉔	1	Wrench S=4			

Installation Steps

Installation Fig.



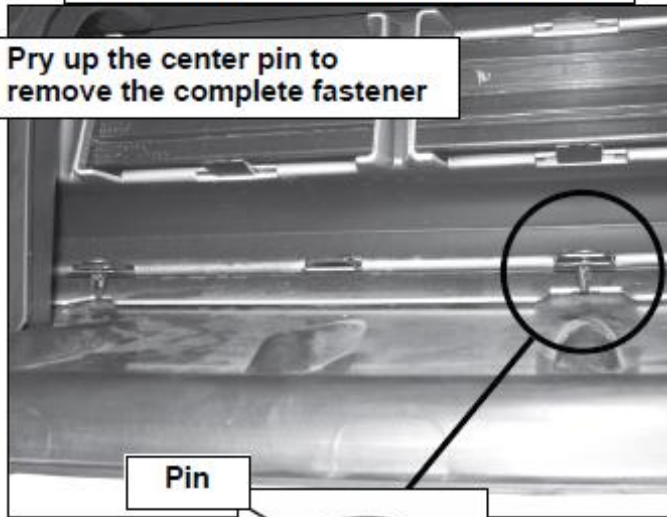
STEP 1:

Start installation under the front bumper and carefully remove the plastic splash guard. NOTE: Depending on the model of vehicle, the splash guard may be attached to the bottom of the truck with hex bolts and several two-piece plastic push-in clips, (Fig 1A). Remove all hex bolts then locate the clips behind the bumper cover. Pry up on the center pin of the clip with a small flat blade screwdriver and remove the entire clip, (Fig 1B). Pay close attention to the type and location of all factory hardware for reinstallation.

IMPORTANT: The splash guard may also be attached at the ends of the bumper cover with rivets. Use wire cutters to remove the rivets.

(Fig 1A) Pictured from behind bumper

Pry up the center pin to
remove the complete fastener



Pin

Fig 1B

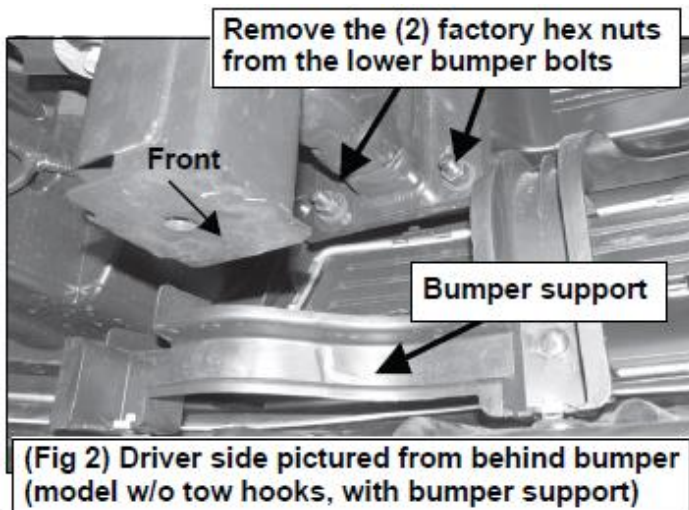
Housing

STEP 2:

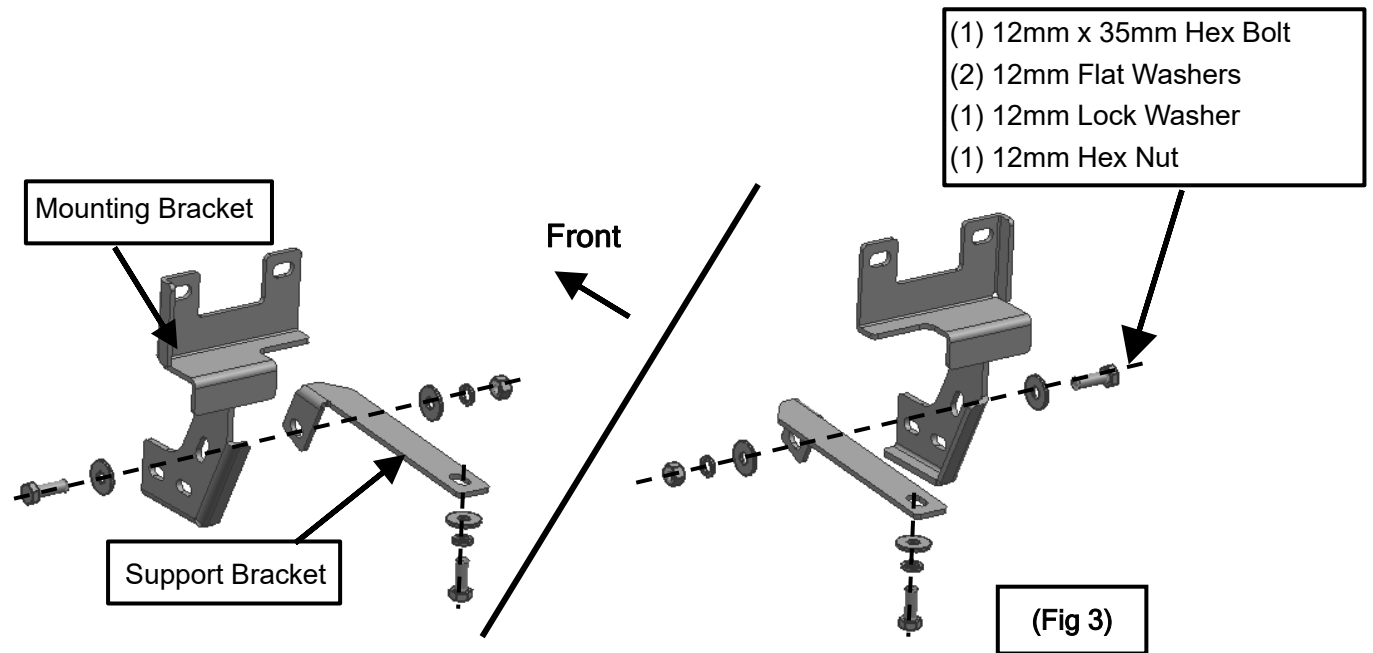
Next, determine if the truck is equipped with tow hooks.

For models without tow hooks:

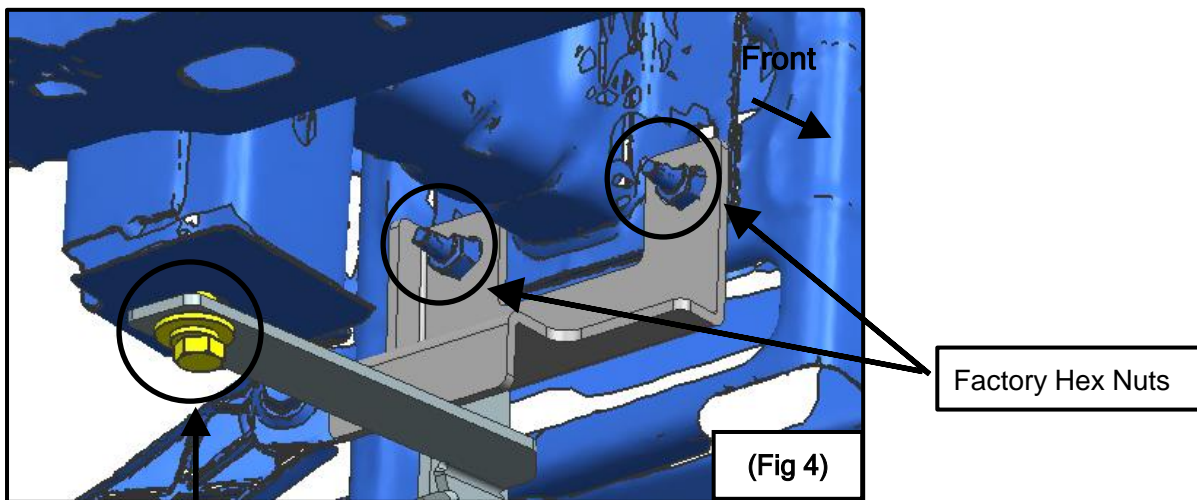
- a. Remove the hex nuts from the two lower bumper bolts, (Fig 2).



- b. Select the Upper Bracket & the Mounting Bracket, bolt the two brackets together with (1) 12mm x 35mm Hex Bolt, (2) 12mm Flat Washers, (1) 12mm Lock Washer and (1) 12mm Hex Nut Do not tighten at this time.(Fig 3).



c. Insert the Mounting Bracket assembly up from behind the bumper. Reuse the (2) factory hex nuts to attach the Bracket assembly to the bumper bolts, tighteh the support bracket with (1) 12-1.5mm x 30mm Fine Thread Hex Bolt , (1) 12mm Lock Washer, (1) 12mm Flat Washer. (Fig 4).

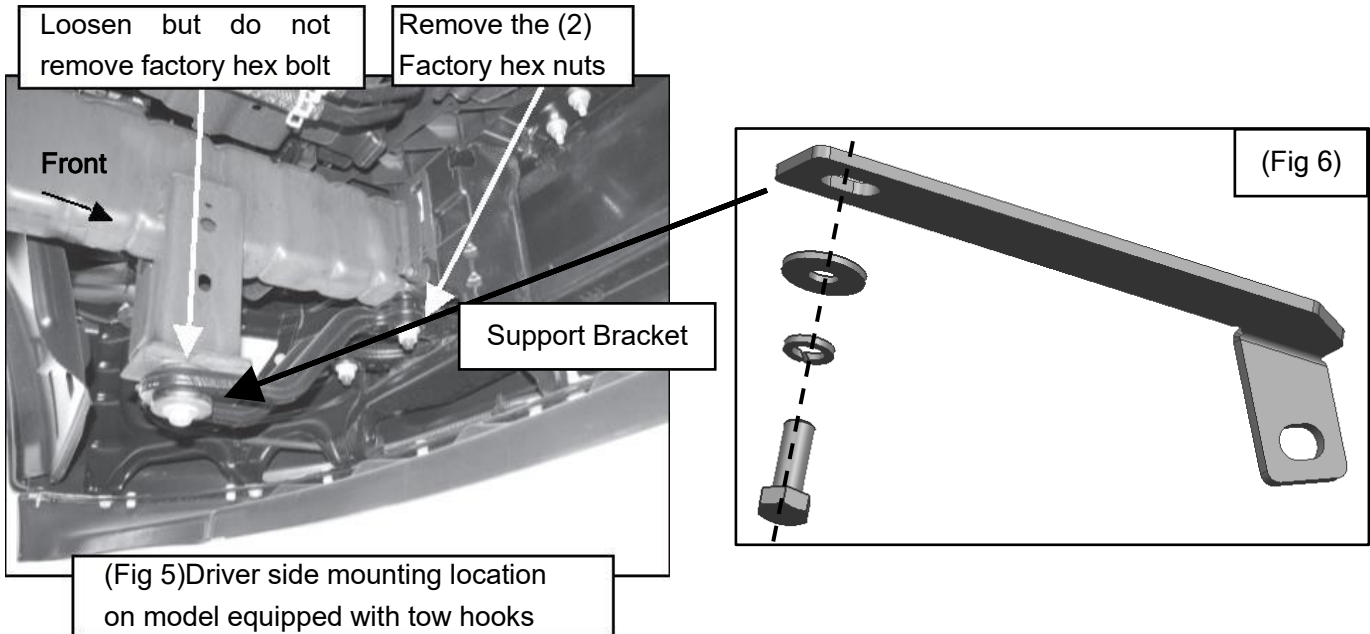


- (1) 12-1.5mm x 30mm Fine Thread Hex Bolt
- (1) 12mm Lock Washer
- (1) 12mm Flat Washer

For models with tow hooks:

a. Remove the (2) hex nuts attaching the front of the tow hook to the bottom of the bumper bracket, (Fig 5). Leave the rear hex bolt tight for the moment.

MAX T BULL BAR FOR 2009-2018 Ram 1500 (Exclude Rebel models.)(BBMAX12T+MR13)



b. Select the Upper Bracket & the Mounting Bracket, bolt the two brackets together with (1) 12mm x 35mm Hex Bolt, (2) 12mm Flat Washers, (1) 12mm Lock Washer and (1) 12mm Hex Nut Do not tighten at this time.(Fig 3).

c. Insert the Mounting Bracket (L) assembly up from behind the bumper. Reuse the (2) factory hex nuts to attach the Bracket assembly to the bumper bolts, (Fig 4)

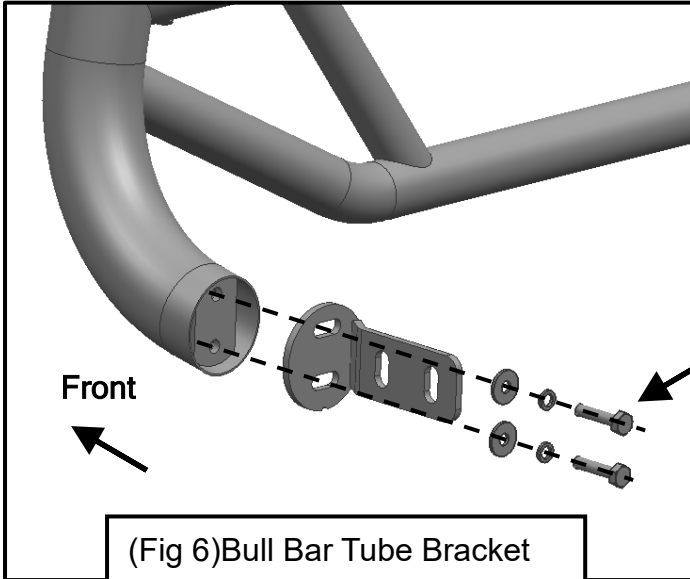
d. Remove the rear tow hook bolt, (Fig 5). Slide the inner bent end of the driver side Support Bracket between the bolt and the tow hook or replace with the included (1) 12-1.5mm x 30mm Special Fine Thread Hex Bolt, (1) 12mm Lock Washer and (1) 12mm Flat Washer, (Fig 6).

STEP 3:

Repeat the appropriate Step 2 for the passenger/right side Mounting Bracket installation.

STEP 4:

Next, select (1) Tube Mounting Bracket, (Fig 6). Attach the Bracket to the end of the Guard with (2) 8mm x 35mm Hex Bolts, (2) 8mm Lock Washers and (2) 8mm Flat Washers. Leave hardware loose at this time.



- (2) 8mm x 35mm Hex Bolts
- (2) 8mm Lock Washers
- (2) 8mm Flat Washers

(Fig 6) Bull Bar Tube Bracket

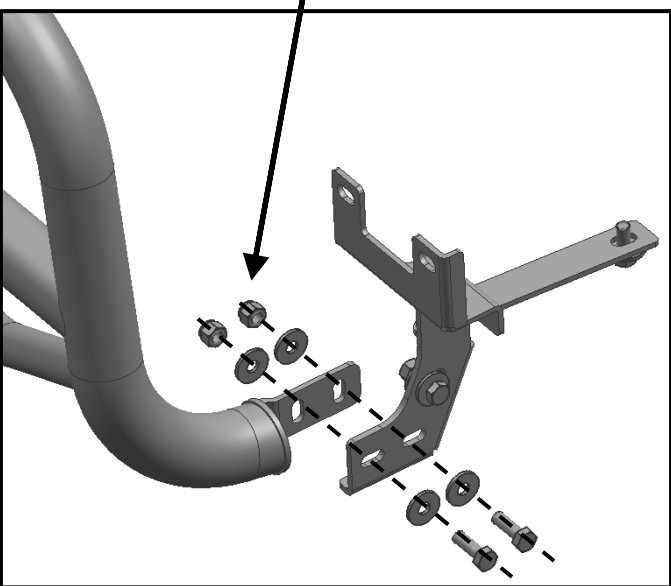
STEP 5:

Repeat Step 4 to install the passenger side Tube Bracket.

STEP 6:

With help, position the Guard with Tube Brackets up to the inside of the Mounting Brackets. Use the included (4) 12-1.75mm x 35mm Hex Bolts, (8) 12mm Flat Washers and (4) 12mm Nylon Lock Nuts to attach the Tube Brackets to the Mounting Brackets, (Figs 7 -8). Do not tighten hardware.

- (2) 12mm x 35mm Hex Bolts
- (2) 12mm Flat Washers
- (2) 12mm Nylon Lock Nuts



(Fig 7) Driver/left Bull Bar to Mounting Bracket

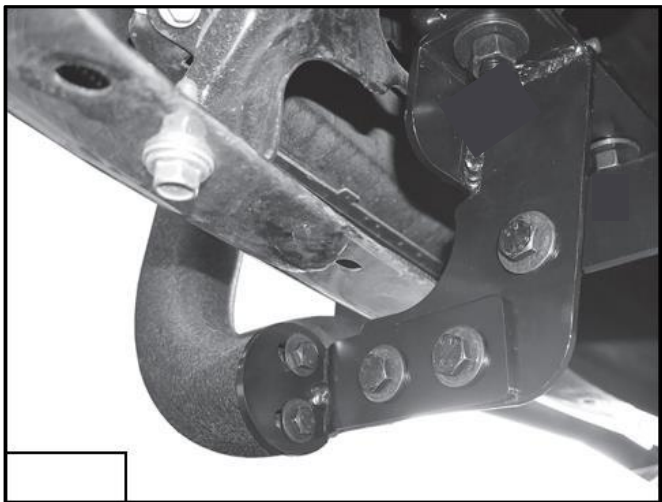


Fig 8

STEP 7:

Stand back from the vehicle and check to see that the Guard is centered and level on the vehicle and adjust as necessary. Fully tighten first the hardware securing the Mounting Brackets to the vehicle. Next tighten only the (4) 8mm Hex Bolts securing the Tube Brackets to the Guard as described in Step 4. Do not tighten the 12mm hardware attaching the Tube Brackets to the Mounting Brackets. Temporarily remove the Guard with Tube Brackets attached.

STEP 8:

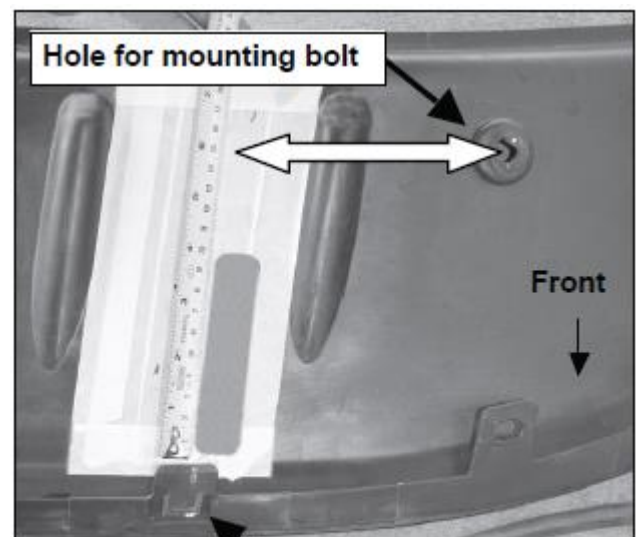
Hold the splash guard up to the bumper cover and align it with the mounting points, (Fig 9). Mark the location of the Mounting Brackets onto the back of the splash guard. Cut an approximately 1" wide by 4" long slot in the splash guard, (Fig 10).

NOTE: The size of the slot is an estimate only and may vary due to different factory designs for the splash guards and front bumper covers. Also, additional cutting may be required to clear the Support Bracket on vehicles equipped with tow hooks.

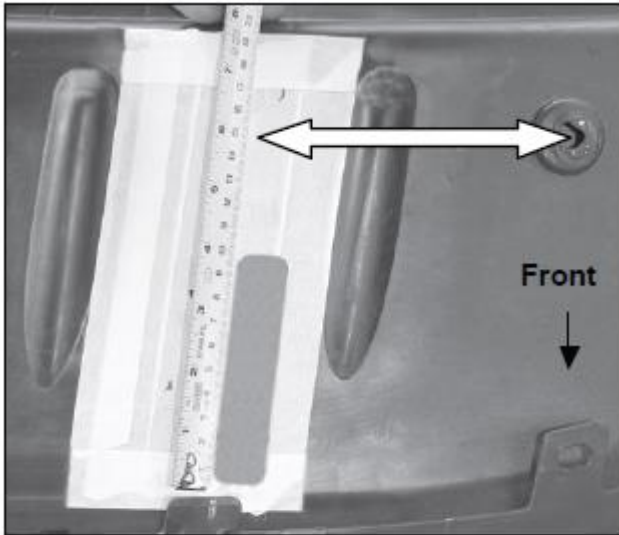
IMPORTANT: To avoid weakening the splash guard, do not cut the slot any larger than necessary. Do not cut through the front or back edges of the necessary. Do not cut through the front or back edges of the cover, (Fig 10). Make several small cuts first and check the fit often for a clean installation.



(Fig 9) Hold the splash guard up to the bottom of the brackets and mark location for cutting to clear brackets. Cut only what is needed to insert bracket through the splash guard.



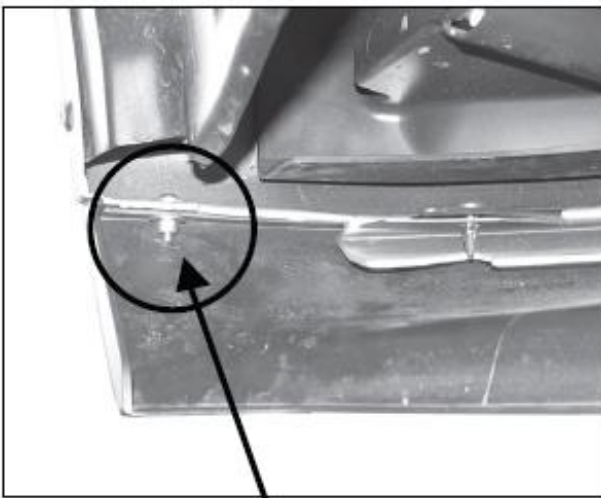
(Fig10) Do not cut through the front edge of the splash guard



Measure the distance from the mounting point for the splash guard to the bracket on the driver and passenger side. Use this measurement as a reference point to check location before cutting the 1" wide x 4" long slot

STEP 9:

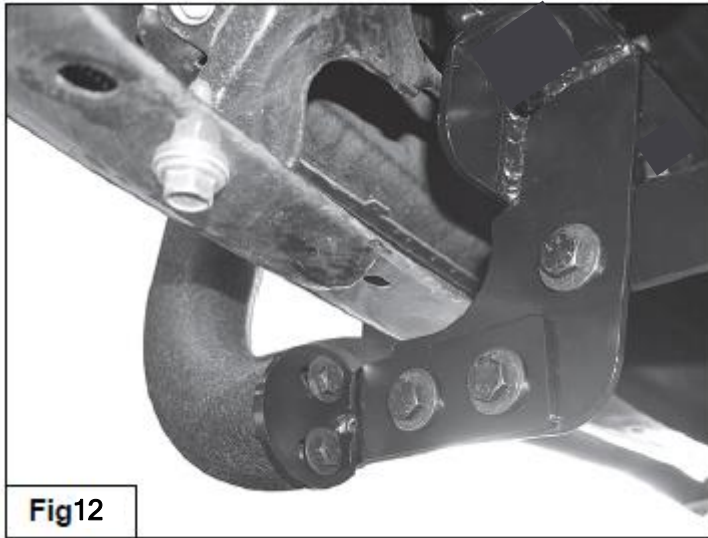
Reinstall the splash guard using the factory hardware. Use the included (2) 5mm x 15mm Allen Bolts, (4) 5mm Flat Washers and (2) 5mm Lock Nuts at the ends of the splash guard if required to replace rivets, (Fig 11).



(Fig 11) If required, replace the rivet at the corner of the splash guard with the supplied:
5mm x 15mm Button Head Allen Bolt
(2) 5mm Flat Washers
5mm Nylon Lock Nut

STEP 10:

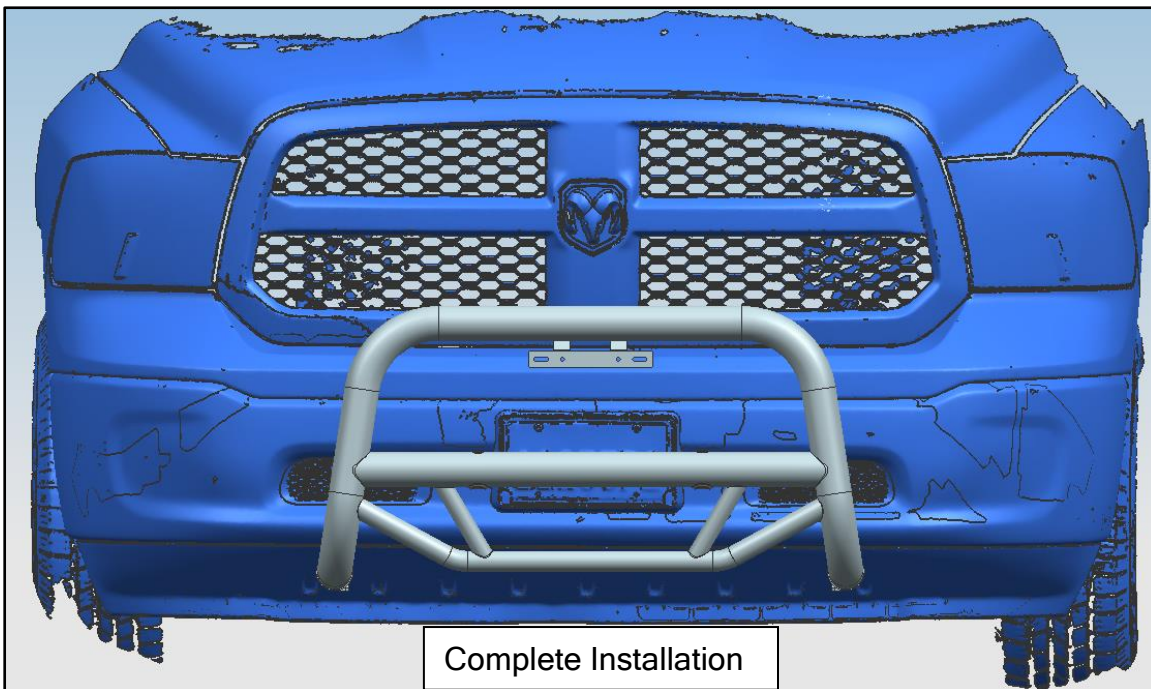
Reinstall the Guard as described in Step 6, (Fig 12).



STEP 11:

Level and adjust the Guard and tighten all hardware.

STEP 12:



NOTE

Any damages and losses caused by improper installation and application, goes beyond our quality warranty.