



# **INSTALLATION INSTRUCTIONS**

**MAX T BULL BAR FOR 2010-2018 DODGE RAM 2500/3500**

**PART # MBT-MR1103**

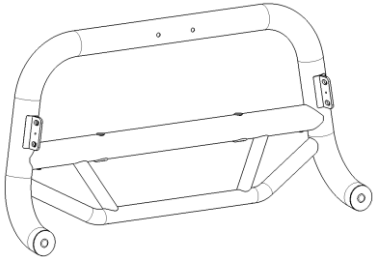
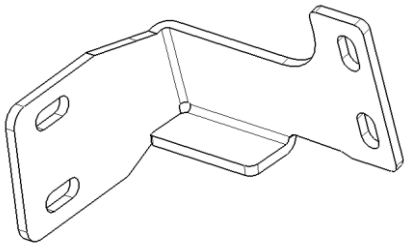
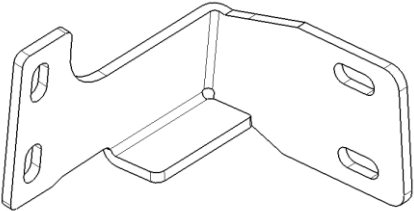
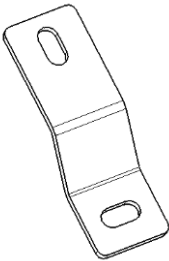
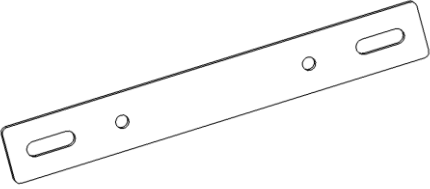
## Before Installation

- Please read the instruction completely for easy installation, which will also help you to avoid scratches or other potential damages to your appealing car.
- The figures here are for reference only and may have differences with the actual product you received, however they share the same assembly way.

## Care and Cleaning

- Mild soap may be used also to clean the Product.
- Please periodically check and retighten all the hardware and clean the investment for a refresh look.

## Parts list

NO.	QTY	NAME	NO.	QTY	NAME
①	1	 Bull Bar	②	1	 Bracket L
③	1	 Bracket R	④	2	 License Plate Bracket 1
⑤	1	 License Plate Bracket 2			

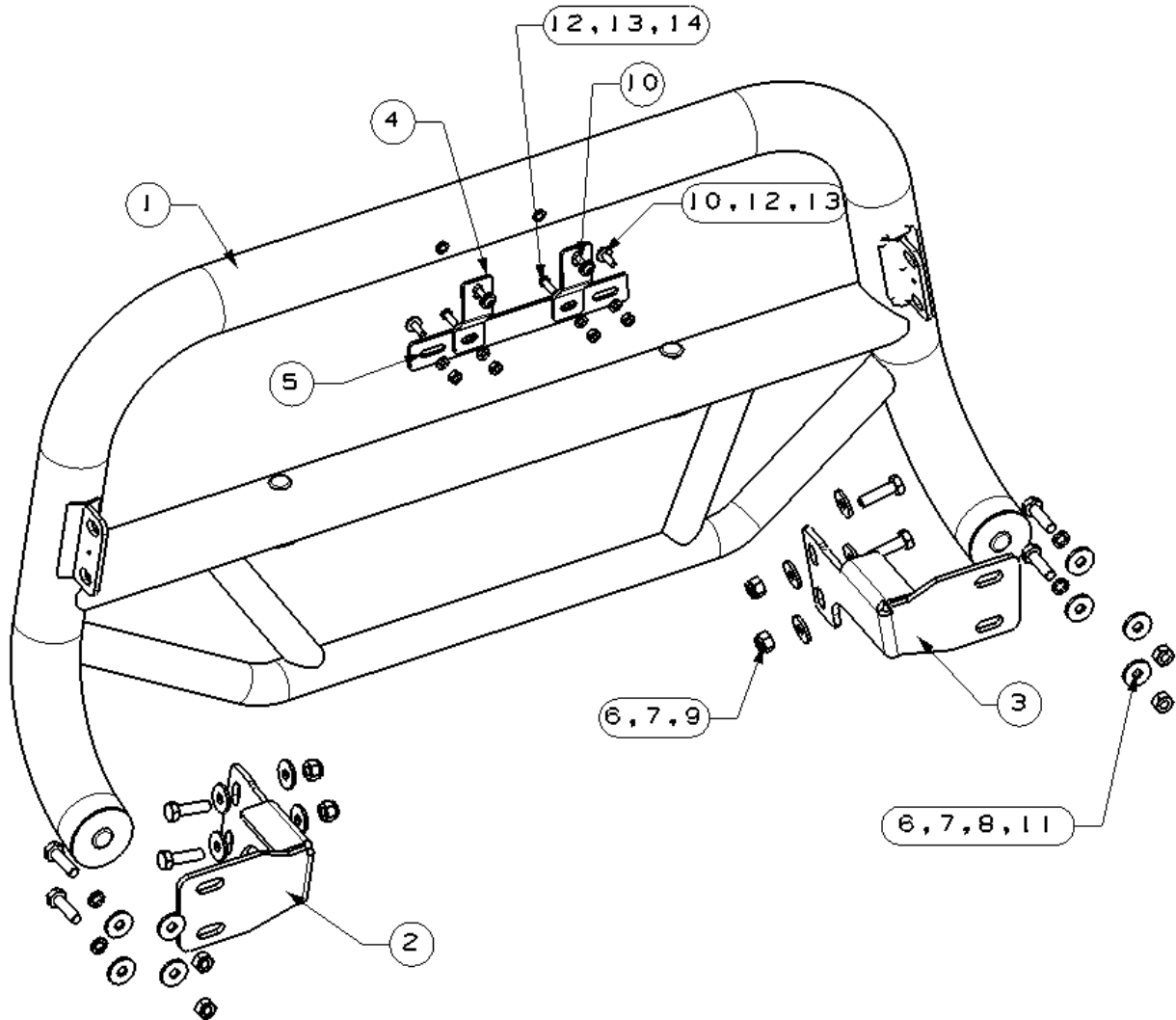
### STANDARD PARTS LIST:

⑥	16	Flat Washer D10_27_3	⑦	8	Hex Bolt M10_35
⑧	4	Hex Nut M10	⑨	4	Nylon Lock Nut M10

⑩	4	Assembly Bolt M6_20	⑪	4	Spring Washer D10
⑫	4	Hex Nut M6	⑬	4	Flat Washer D6 (6x12x1.6mm)
⑭	2	Hex Button Head Bolt M6_20	⑮	4	Allen Wrench S=4

**Installation Steps**

**Installation Figure:**



**STEP 1:**

Starting at the front of the vehicle, determine if the truck is equipped with tow hooks, (Fig 1).

**For models without tow hooks:**

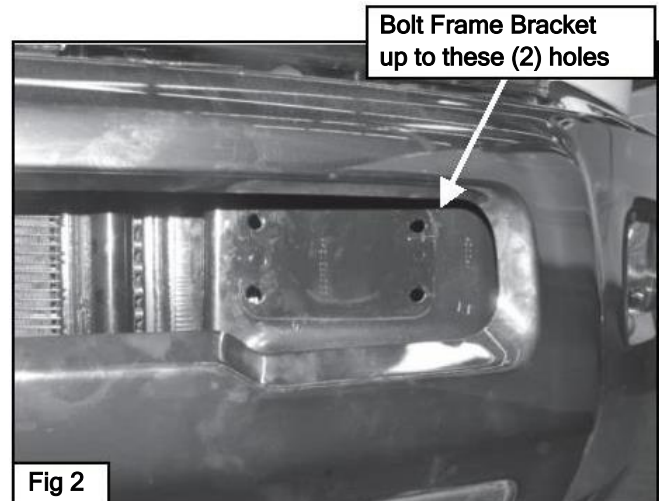
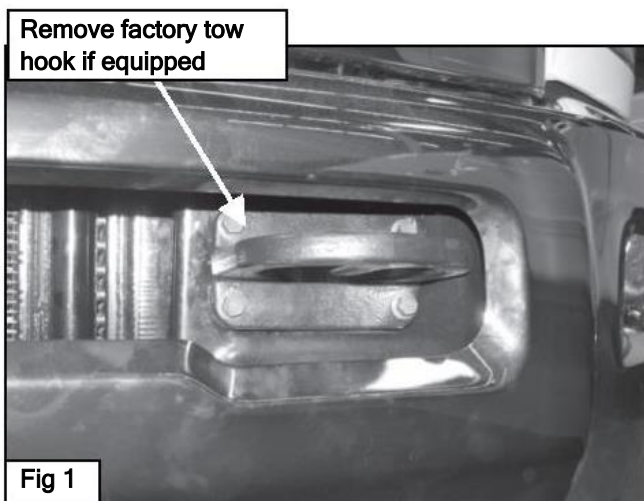
- a. Select the driver side Frame Bracket. Attach the Bracket to the (2) outer holes in the frame with the included (2) 10mm x 35mm Hex Bolts, (4) 10mm Flat Washers, (2) 10mm Spring Washers and (2) 10mm Hex Nuts, (Fig 2-4). Snug the hardware but do not tighten at this time.
- b. Repeat this step for passenger side Frame Mounting Bracket installation.

**For models with tow hooks:**

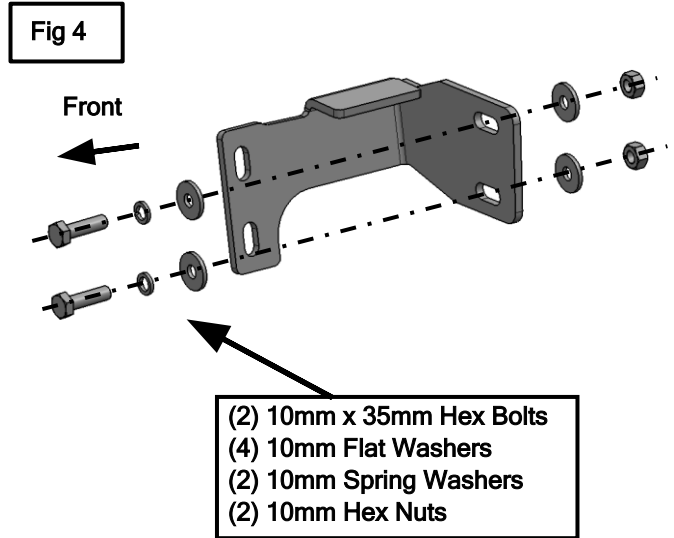
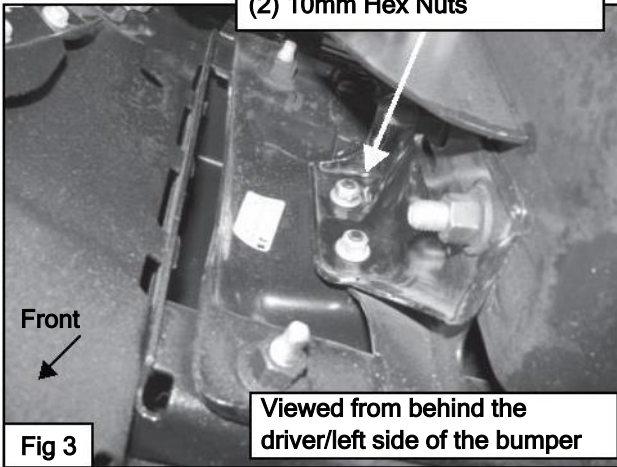
- a. Remove the (4) hex bolts attaching the tow hook to the frame, (Fig 1), and remove the tow hook, (Fig 2).

**TIP:** Removing the inner hex bolts securing each tow hook can be difficult to reach from behind the bumper, (long socket extensions required). It may be easier to access the (2) hex bolts by going through the front of the bumper opening and holding the hex nuts in place with an opened wrench.

- b. Select the driver side Mounting Bracket. Attach the Bracket to the (2) outer holes for the tow hook with the factory hardware or the included (2) 10mm x 35mm Hex Bolts, (4) 10mm Flat Washers, (2) 10mm Spring Washers and (2) 10mm Hex Nuts, (Fig 2-4). Snug the hardware but do not tighten at this time.



Use the factory tow hook hardware or the included:  
(2) 10mm x 35mm Hex Bolts  
(4) 10mm Flat Washers  
(2) 10mm Spring Washers  
(2) 10mm Hex Nuts

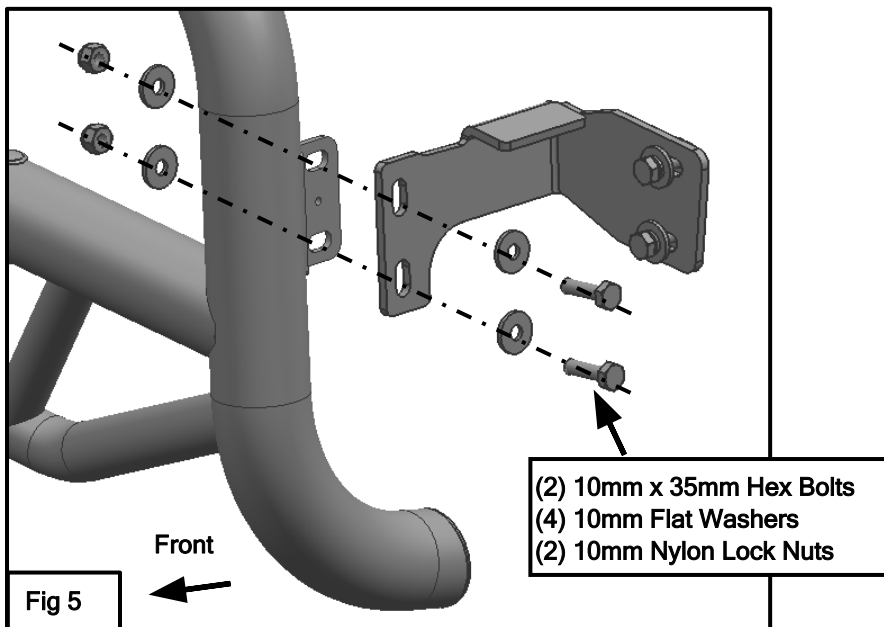


**STEP 2:**

Repeat Step 1 for passenger side Mounting Bracket installation.

**STEP 3:**

With help, position the Bull Bar up to the inside of the Mounting Brackets. Attach the Bull Bar to the Brackets with the included (4) 10mm x 35mm Hex Bolts, (8) 10mm Flat Washers, (4) 10mm Nylon Lock Nuts, (Fig 5). Snug but do not tighten hardware.



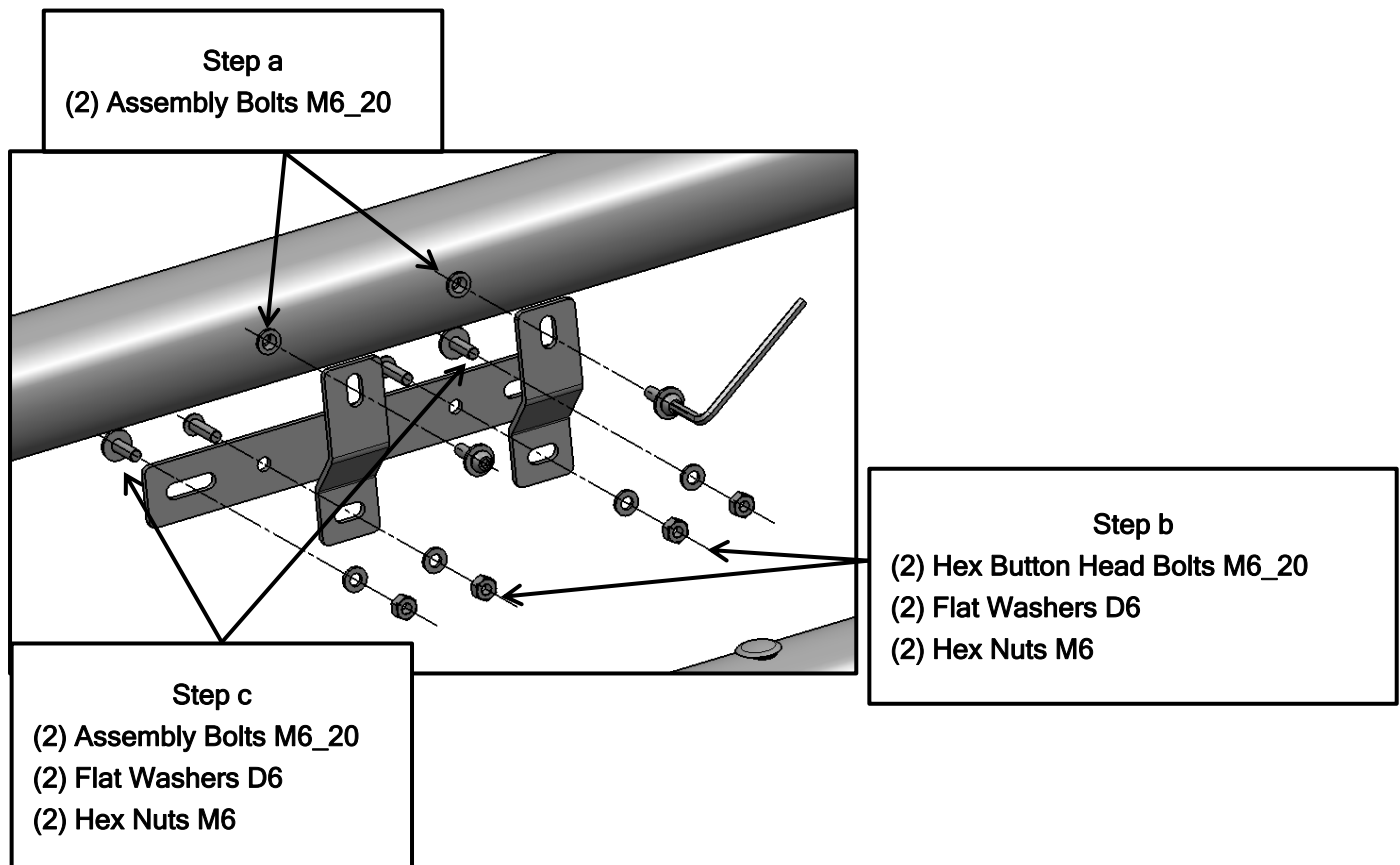
**STEP 4:**

Level and adjust the Guard properly and tighten all hardware.

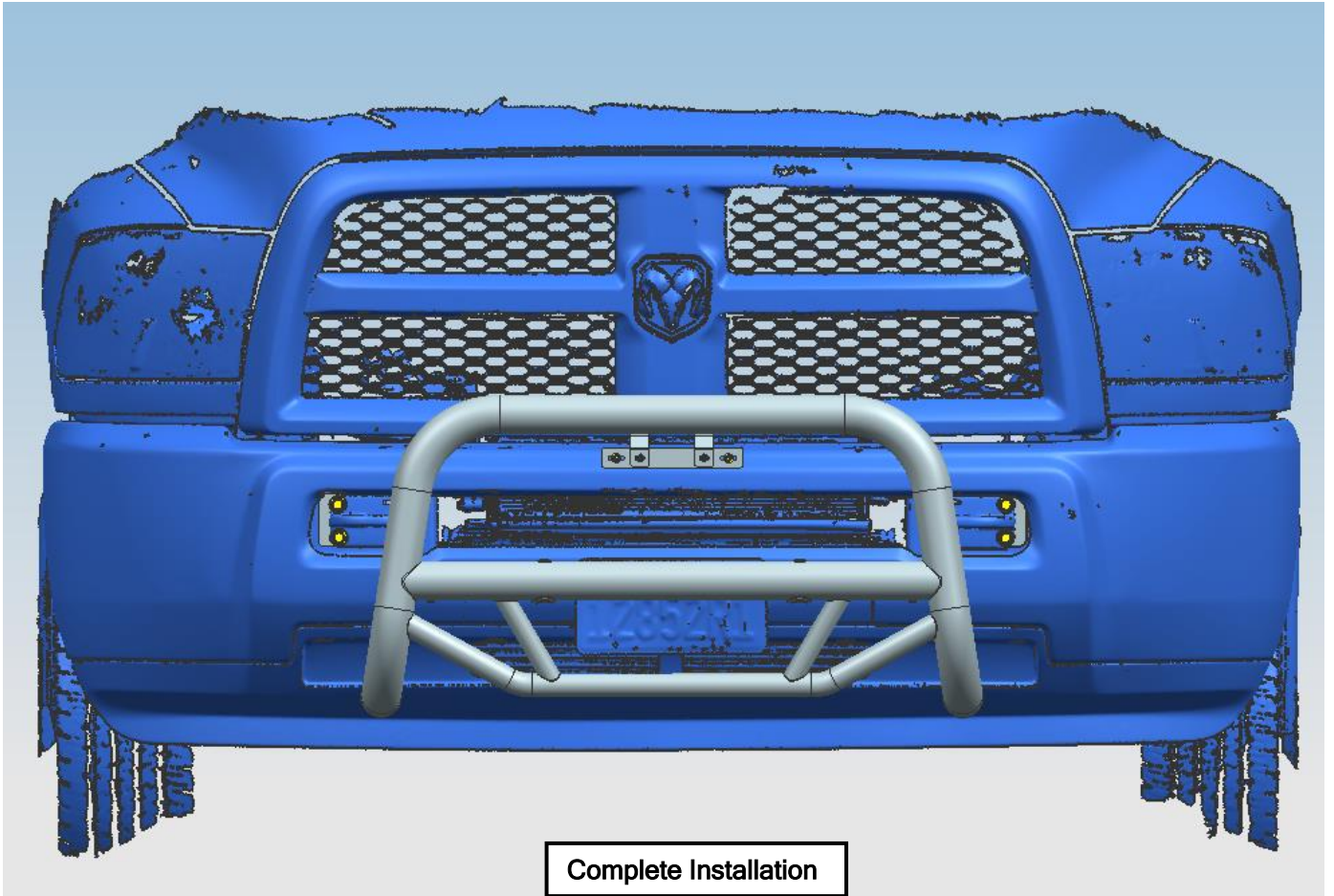
**STEP 5:**

Install License Plate Bracket.

- a. Connect License Plate Bracket 1 on bull bar with (2) Assembly Bolts M6\_20.
- b. Connect License Plate Bracket 1 and License Plate Bracket 2 with (2) Hex Button Head Bolts M6\_20, (2) Flat Washers D6, (2) Hex Nuts M6.
- c. Install license plate to License Plate Bracket 2 with (2) Assembly Bolts M6\_20, (2) Flat Washers D6, (2) Hex nuts M6.

**STEP 6:**

Do periodic inspections of the installation to make sure that all hardware is secure and tight.



Complete Installation

## NOTE

Any damages and losses caused by improper installation and application, goes beyond our quality warranty.

[Learn more about grille guards and bull bars we have.](#)