



INSTALLATION INSTRUCTIONS

**MAX T BULL BAR FOR 2015-2019 Chevy Colorado & GMC
Canyon (BBMAX12T+MG6)
PART # MBT-MG612**

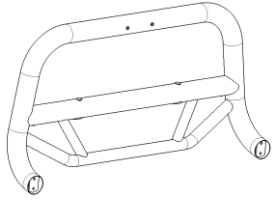
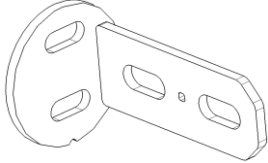
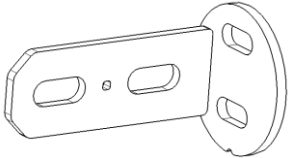
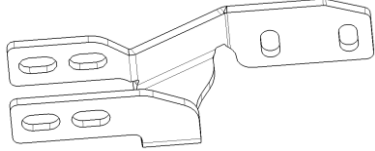
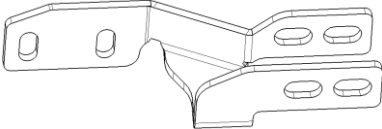
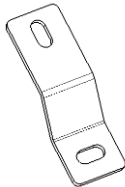
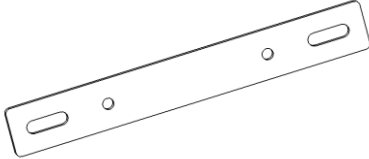
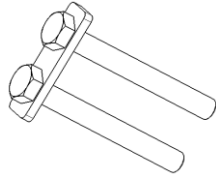
Before Installation

- Please read the instruction carefully before starting installation, which will help you to avoid scratches or other potential damages to your appealing car.
- The figures here are for reference only and may have differences with the actual product you received, however they share the same assembly way.

Care and Cleaning

- Mild soap may be used also to clean the Product.
- Do periodic inspections to the installation to make sure that all hardware is secure and tight.

Parts List

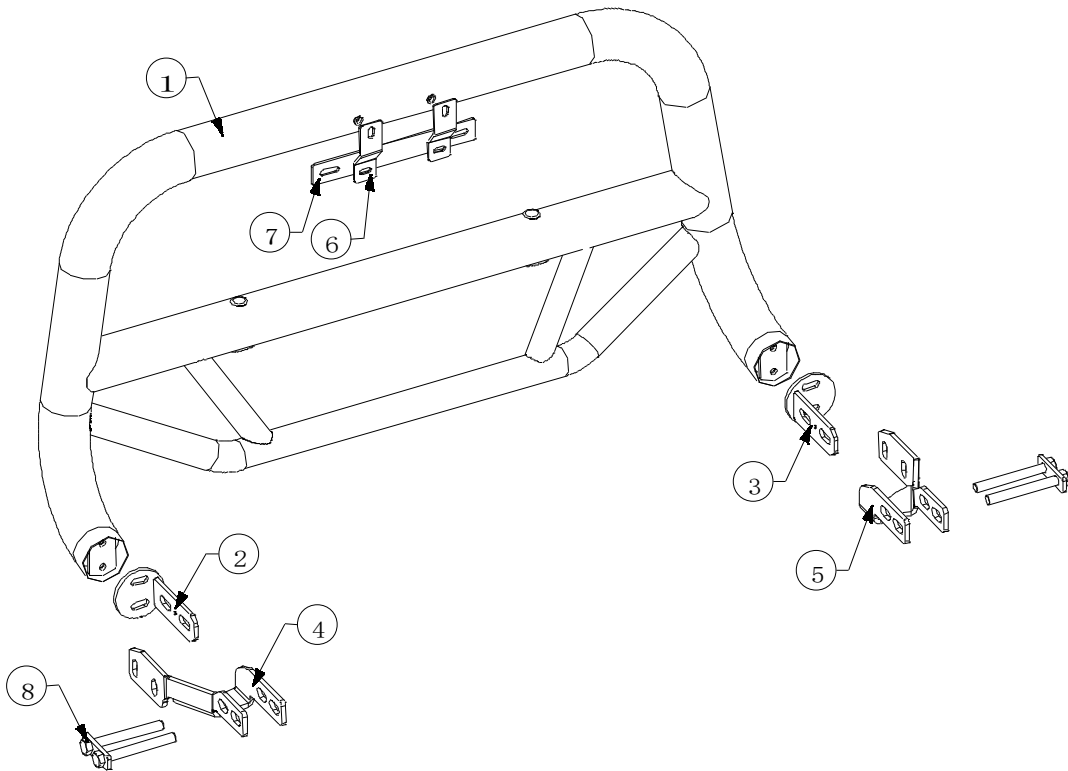
NO.	QTY	NAME	NO.	QTY	NAME
①	1	 BULL BAR	②	1	 Tube Bracket (L)
③	1	 Tube Bracket (R)	④	1	 Mounting Bracket (L)
⑤	1	 Mounting Bracket (R)	⑥	2	 License Plate Bracket 1
⑦	1	 License Plate Bracket 2	⑧	2	 Double Bolt Plates M12
⑨	4	Combo Bolts M6_20	⑩	2	Hex Bolts M6_20
⑪	4	Hex Bolts M10_35	⑫	4	Hex Bolts M8_35
⑬	4	Lock Washers D8	⑭	4	Lock Washers D6

MAX T BULL BAR FOR 2015-2019 Chevy Colorado & GMC Canyon (BBMAX12T+MG6)

⑮	8	Flat Washers D10_27_3	⑯	4	Flat Washers D8_22_2
⑰	4	Flat Washers D12	⑱	4	Flat Washers D6
⑲	4	Hex Nuts M6	⑳	4	Nylon Lock Nuts M12
㉑	4	Nylon Lock Nuts M10	㉒	1	Wrench S=4

Installation Steps

Installation Fig.



STEP 1:

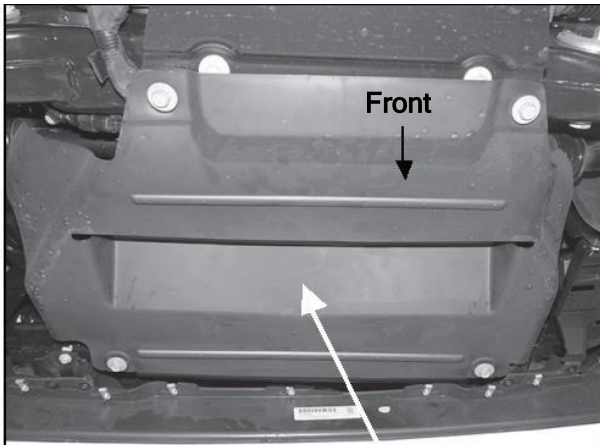
Start installation from under the front of the vehicle. Remove the plastic splash guard from below-behind bumper, (Fig 1). Determine if the vehicle is equipped with tow hooks.

IMPORTANT: Tow hooks cannot be reinstalled with the Guard. Also, it may be necessary to temporarily remove the factory skid plate, (if equipped), to access the mounting locations.

Tow Hook equipped vehicles:

- a. Remove the driver side tow hook and hardware from the end of the frame channel, (Figs 2, 3). Remove the seal between the opening in the bumper and the tow hook, (Figs 2, 4).
- b. Repeat to remove the passenger side tow hook.
- c. Proceed to Step 2.

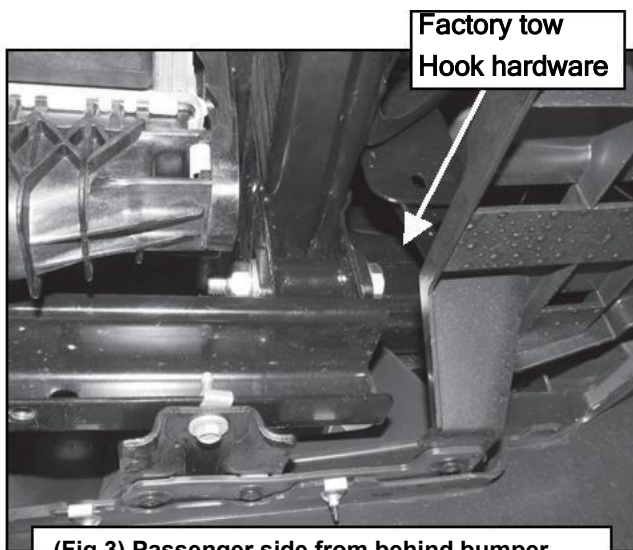
MAX T BULL BAR FOR 2015-2019 Chevy Colorado & GMC Canyon (BBMAX12T+MG6)



(Fig 1) Remove splash guard or skid plate from bottom of engine behind bumper if necessary



(Fig 2) Passenger side with tow hook



(Fig 3) Passenger side from behind bumper



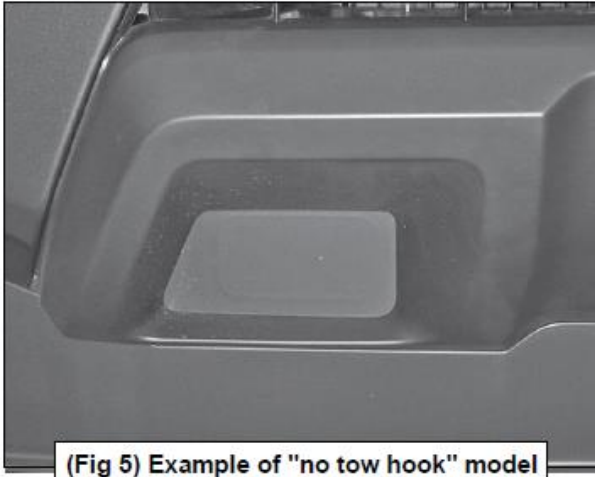
(Fig 4) Driver side after tow hook removed

Vehicles without tow hooks:

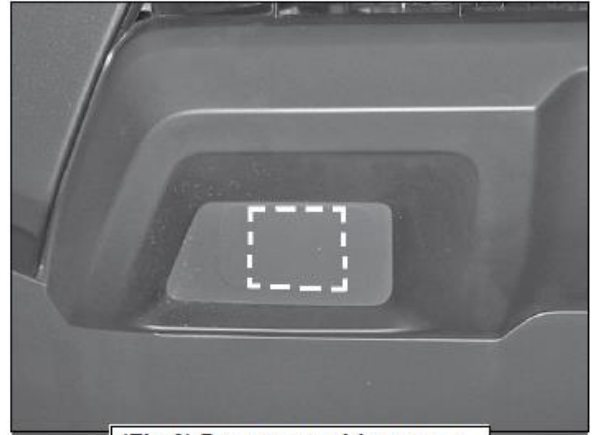
a. Cut out the indented area in both sides of the plastic bumper to clear the Brackets as pictured, (Figs 5, 6).

IMPORTANT: Make several small cuts for best fit. **OPTION:** Cut around the Bracket as indicated, (Fig 6), or cut along the rectangular cut line molded into the pocket, (Fig 4).

MAX T BULL BAR FOR 2015-2019 Chevy Colorado & GMC Canyon (BBMAX12T+MG6)



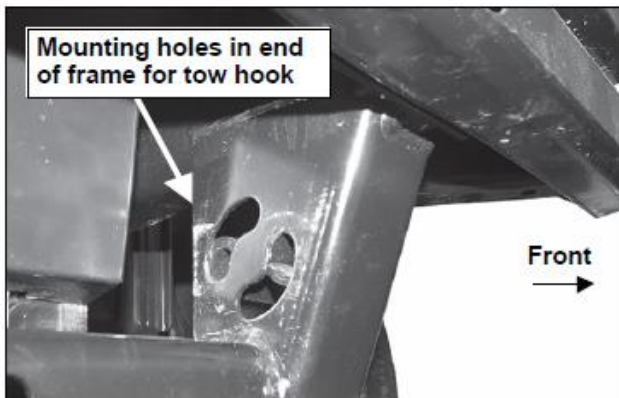
(Fig 5) Example of "no tow hook" model



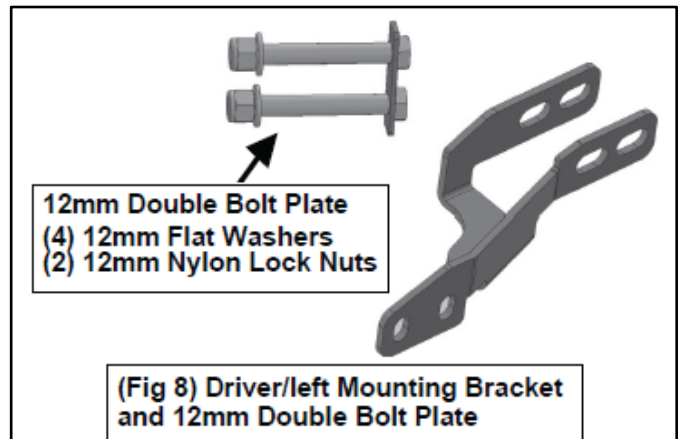
(Fig 6) Passenger side cut out illustrated for reference only

STEP 2:

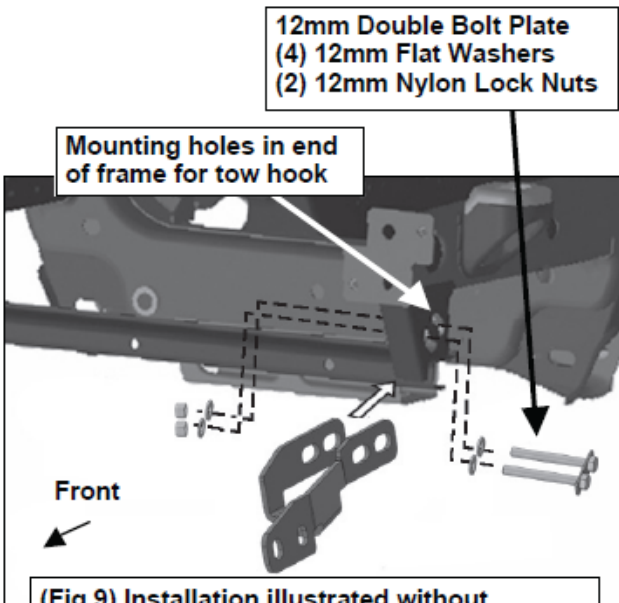
Select the driver side Mounting Bracket (Fig 8). Insert the Bracket through the opening in the bumper and up to the tow hook mounting holes, (Figs 7, 9). Trim the plastic as required for clearance.



(Fig 7) Driver side pictured without bumper for instruction purposes only. Do not remove bumper



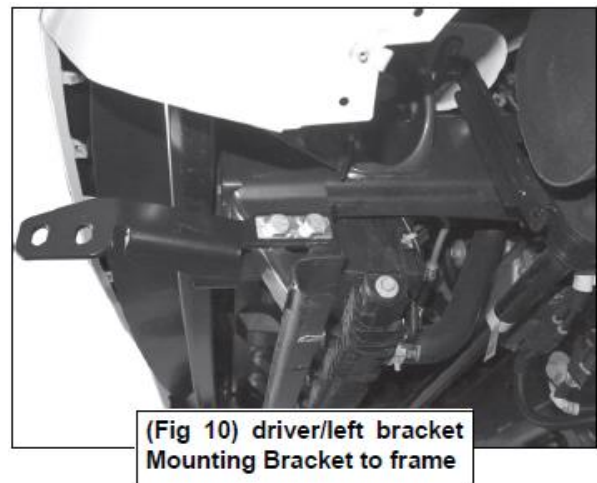
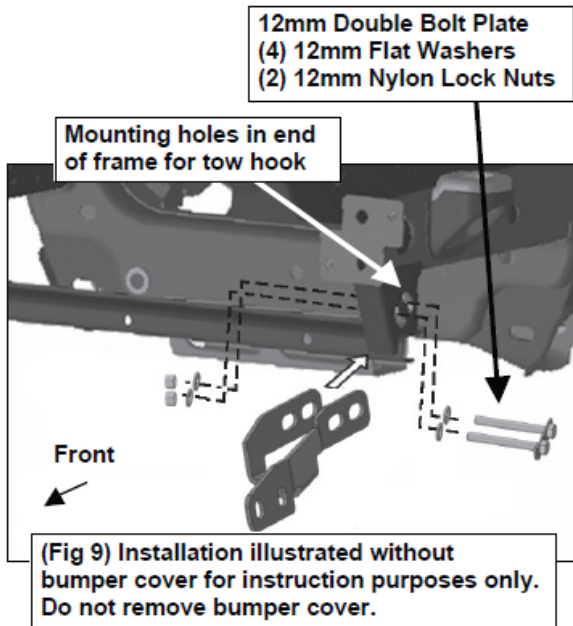
(Fig 8) Driver/left Mounting Bracket and 12mm Double Bolt Plate



(Fig 9) Installation illustrated without bumper cover for instruction purposes only. Do not remove bumper cover.

STEP 3:

Line up the (2) holes in the Bracket with the (2) holes in the frame for the tow hook, (Fig 7). Select the 12mm Double Bolt Plate, (Fig 8). Insert the Bolt Plate through the Bracket and the (2) holes through the frame, (Figs 7, 9). Secure with (2) 12mm Flat Washers and (2) 12mm Nylon Lock Nuts, (Fig 9-10). Do not fully tighten hardware at this time.



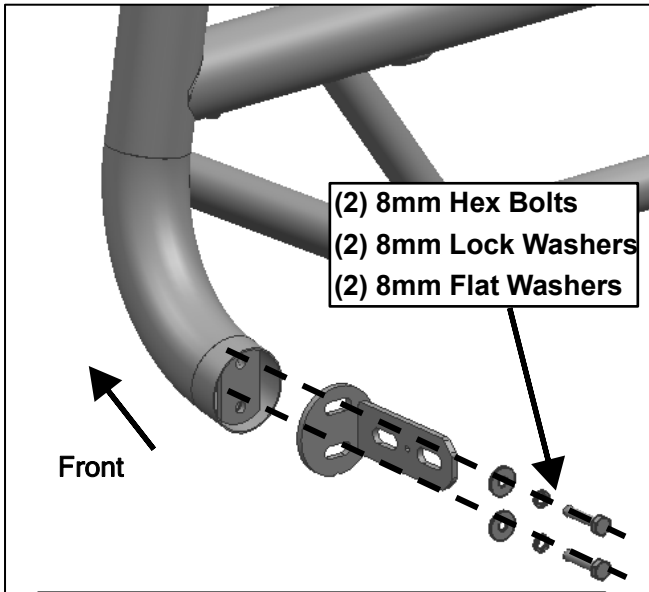
STEP 4:

Repeat Steps 2-3 to install the passenger side Mounting Bracket.

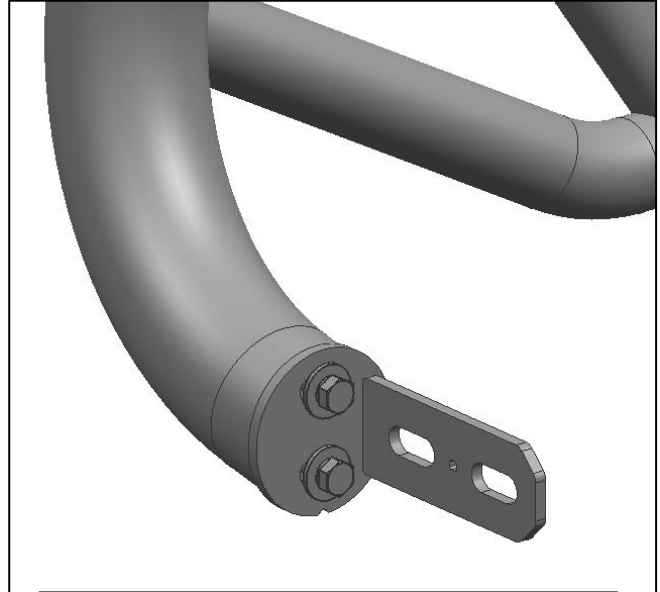
STEP 5:

Next, select (1) Guard Bracket. Attach the Bracket to the end of the Guard with (2) 8mm Hex Bolts, (2) 8mm Lock Washers and (2) 8mm Flat Washers, (Figs 11-12). Do not fully tighten hardware at this time. Repeat to attach the remaining Guard Bracket to the passenger/right side.

MAX T BULL BAR FOR 2015-2019 Chevy Colorado & GMC Canyon (BBMAX12T+MG6)



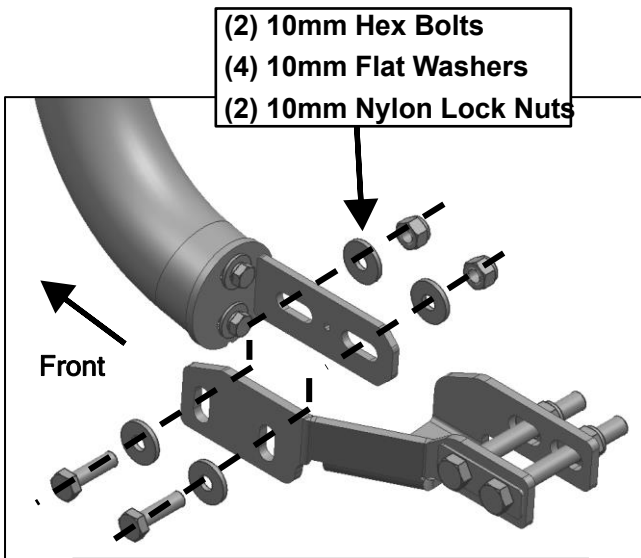
(Fig 11) Attach Tube Bracket to end of Guard



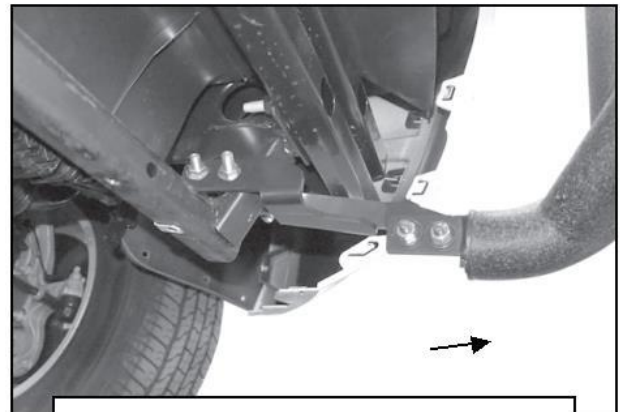
(Fig 12) left/driver side Tube Bracket to Guard

STEP 6:

With assistance, hold the Guard with Brackets up in position on the inside of the Mounting Brackets. Attach the Guard to the Brackets with (4) 10mm Hex Bolts, (8) 10mm Flat Washers and (4) 10mm Nylon Lock Nuts, (Fig 13-14). Do not tighten hardware at this time.



(Fig 13) Attach Guard with Tube Brackets to inside of Mounting Brackets



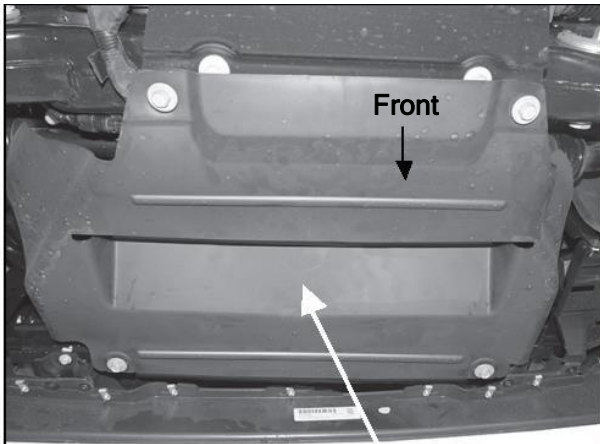
(Fig 14) driver/left complete installation

STEP 7:

Check the Guard alignment with the vehicle and for clearance between the Guard and the bumper. Adjust as required then fully tighten all hardware.

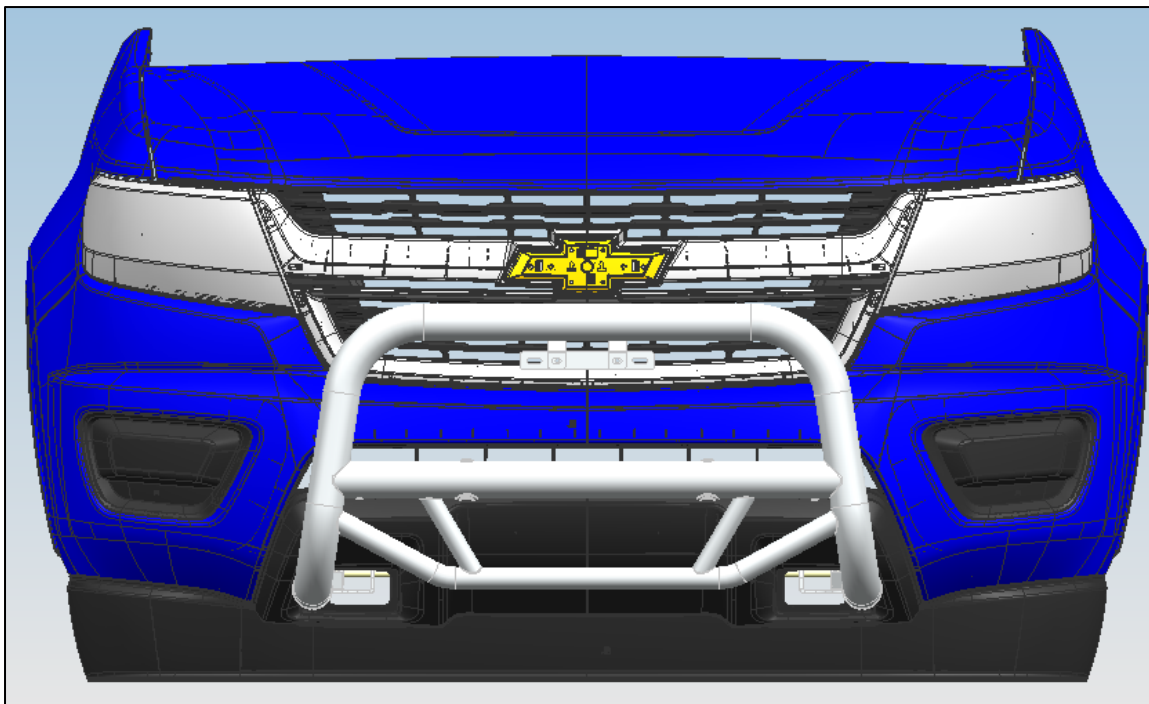
STEP 8:

Reinstall the plastic splash guard or skid plate removed in Step1, (Fig 1).



(Fig 1) Remove splash guard or skid plate from bottom of engine behind bumper if necessary

STEP 9:



Complete Installation

NOTE

Any damages and losses caused by improper installation and application, goes beyond our quality warranty.

Learn more about grille guards and bull bars we have.