



INSTALLATION INSTRUCTIONS

MAX T BULL BAR FOR FORD EXPLORER 2020

PART # MBT-MF612

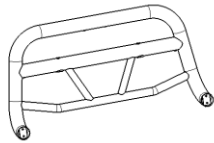
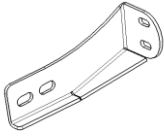
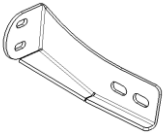
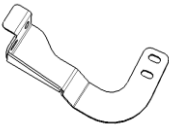
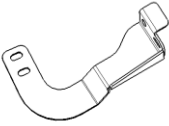
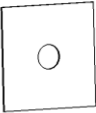

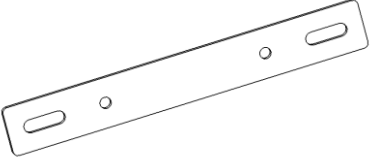
Before Installation

- Please read the instruction completely for easy installation, which will also help you to avoid scratches or other potential damages to your appealing car.
- The figures here are for reference only and may have differences with the actual product you received, however they share the same assembly way.

Care and Cleaning

- Mild soap may be used also to clean the Product.
- Please periodically check and retighten all the hardware and clean the investment for a refresh look.

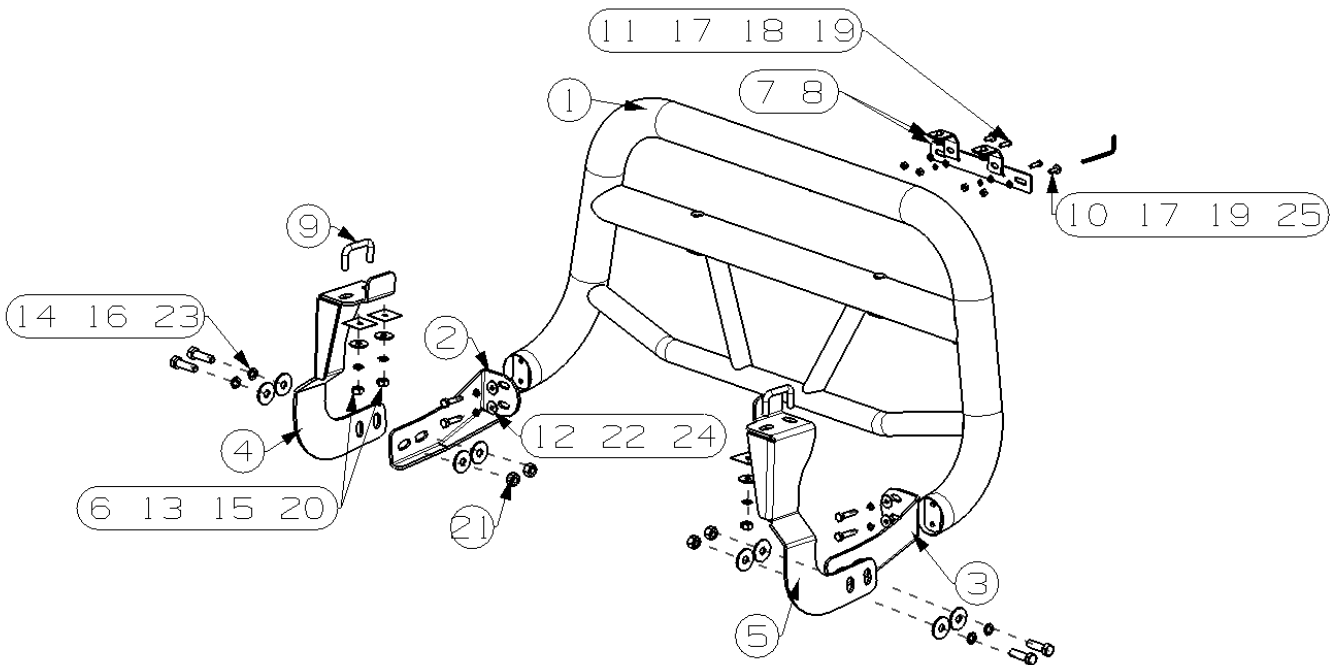
Parts list

NO.	QTY	NAME	NO.	QTY	NAME
①	1	 Bull bar	②	1	 Driver/left guard tube bracket
③	1	 Passenger guard tube bracket	④	1	 Driver/left mounting bracket
⑤	1	 Passenger mounting bracket	⑥	4	 PVC Plastic block φ10
⑦	2	 License plate bracket 1	⑧	1	 License plate bracket 2
Standard parts list:					
⑨	2	U Blot M10x119.4 (Center distance 58, total height 40, tooth length 25)	⑩	1	Allen wrench S=4
⑪	4	Lock washer D6	⑫	4	Lock washer D8
⑬	4	Lock washer D10	⑭	4	Lock washer D12

⑮	4	Flat washer D10	⑮	8	Flat washer D12
⑰	4	Flat washer D6	⑱	2	Hex button head bolt M6_20
⑲	4	Hex nut M6	⑳	4	Hex nut M10
㉑	4	Hex nut M12	㉒	4	Hex bolt M8_35
㉓	4	Hex bolt M12_40	㉔	4	Flat washer D8
㉕	4	Assembly bolt M6_20			

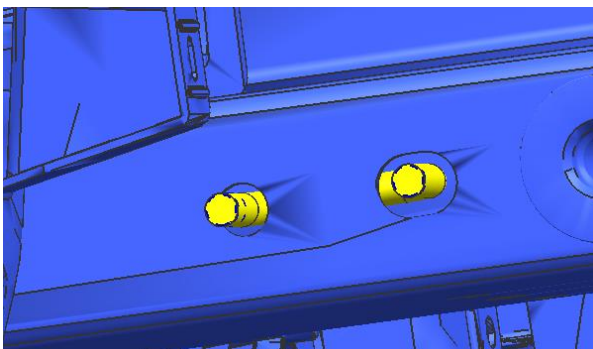
Installation Steps

Installation Figure:

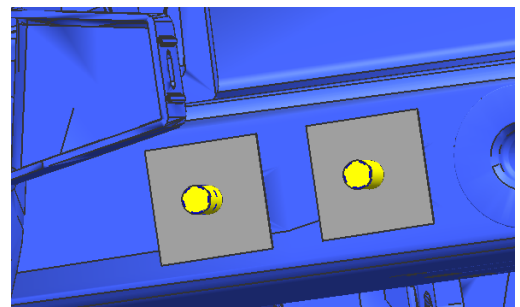


STEP 1:

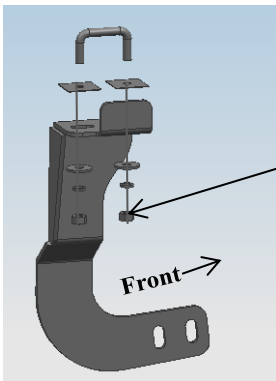
Install U Bolt M10x119.4 in girder (Fig 1). Fix U Bolt M10x119.4 with (2) PVC Plastic blocks φ10 (Fig 2). Attach Driver/left mounting bracket to girder with (2) Lock washers D10, (2) Flat washers D10 and (2) Hex nuts M10 (Figs 3-4)



(Fig 1) Install U Bolt M10x119.4 in girder.

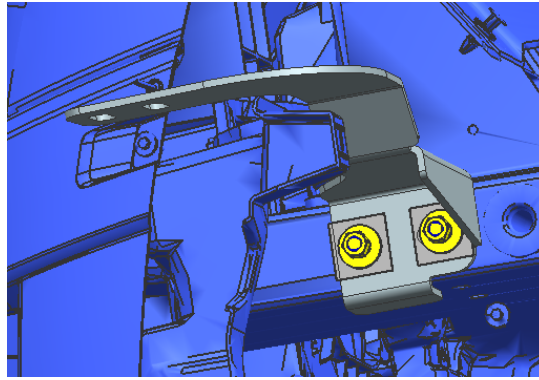


(Fig 2) Fix U Bolt M10x119.4 with (2) PVC Plastic blocks φ10



- (1) U Bolt M10x119.4
- (2) Flat washers D10
- (2) Lock washers D10
- (2) Hex nut M10

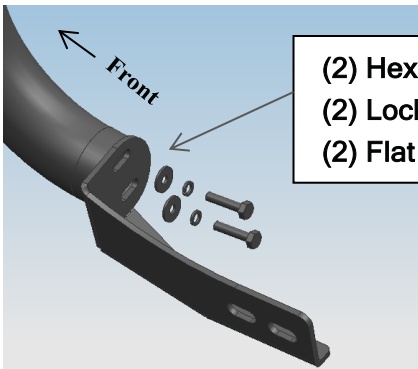
(Fig 3) Driver/left Mounting bracket



(Fig 4) Driver/left Mounting bracket

STEP 2:

Attach Driver/left guard tube bracket to bull bar with (2) Hex bolts M8_35, (2) Flat washers D8, (2) Lock washers D8. Snug but do not tighten hardware.



- (2) Hex bolts M8_35
- (2) Lock washers D8
- (2) Flat washers D8

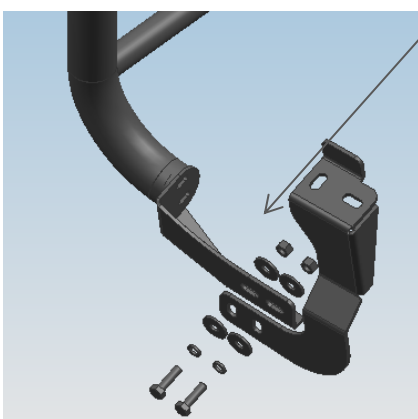
(Fig 5) Attach Driver/left guard tube bracket to bull bar

STEP 3:

Repeat Steps 1 & 2 to attach the passenger/right Frame Mounting Bracket.

STEP 4:

Attach Driver/left mounting bracket to bull bar with (2) Hex bolts M12_40, (4) Flat washers D12, (2) Lock washers D12 and (2) Hex nuts M12 (Fig 6), Repeat this Step for passenger side bracket.



- (2) Hex bolts M12_40
- (4) Flat washers D12
- (2) Lock washers D12
- (2) Hex nuts M12

(Fig 6) Attach Driver/left mounting bracket to bull bar

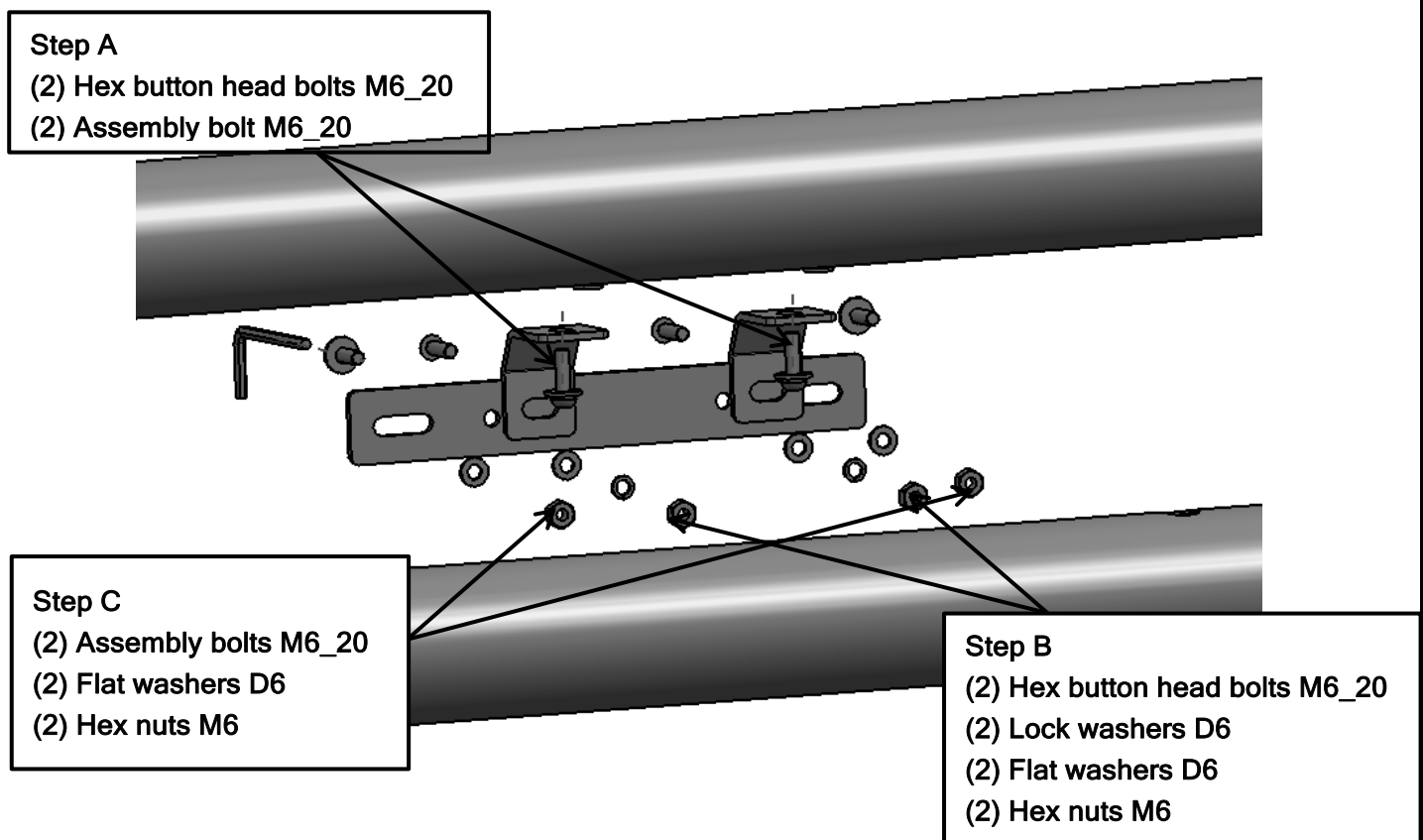
STEP 5:

Adjust as required then fully tighten all hardware at this time.

STEP 6:

INSTALL LICENSE PLATE BRACKET:

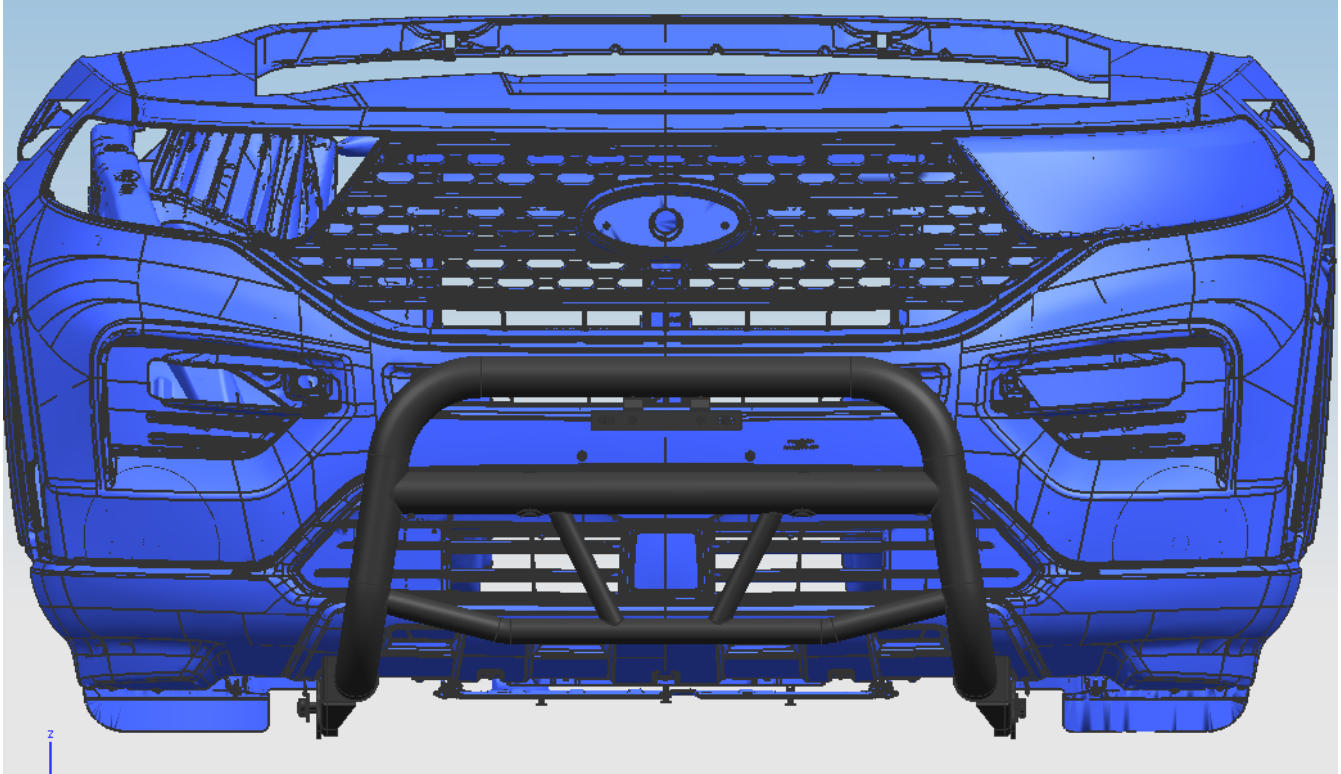
- a. Attach license plate bracket 1 to bull bar with (2) Hex button head bolts M6_20 and (2) Assembly bolts M6_20.
- b. Attach license plate bracket 1 to license plate bracket 2 with (2) Hex button head bolts M6_20, (2) Lock washers D6, (2) Flat washers D6 and (2) Hex nuts M6.
- c. Install license plate to license plate bracket 2 with (2) Assembly bolts M6_20, (2) Flat washers D6 and (2) Hex nuts M6.

**STEP 7:**

Check the bull bar alignment with the vehicle and for clearance between the bull bar and the bumper. If bull bar is too close to or touching bumper, remove the bull bar and reinstall the brackets in the “forward” position away from the bumper (Fig 12). Adjust as required then fully tighten all hardware at this time.

STEP 8:

Do periodic inspections of the installation to make sure that all hardware is secure and tight.



NOTE

Any damages and losses caused by improper installation and application, goes beyond our quality warranty.