



# **INSTALLATION INSTRUCTIONS**

**PART #: MBB-HOB3301**

**A BAR BRACKET FOR HONDA CRV 02-07**

**Part list:**

QTY	Description
1	Safari Bar Assembly (Purchased Separately)
1	Mount Bracket, Passenger
1	Mount Bracket, Driver
2	1/2-13*2.00" Hex Head Bolt
4	1/2" Split Lock Washer
4	1/2" SAE Flat Washer
4	1/2-13x1.00" Hex Head Bolt
2	1/2-13 Hex Nut
2	M14 Flat Washer
2	M14 Split Lock Washer
4	1/2" External-Internal Tooth Lock Washer
2	5/16-18*1.75" Hex Head Bolt
2	5/16" SAE Flat Washer
2	5/16" Split Lock Washer
2	5/16-18 Flange Lock Nut

**Step 1.** Check the contents and verify all parts against the parts list.

**Step 2.** Remove the (16) push type retainers and (2) 6mm bolts from the lower splash shield. Remove plastic splash shield to gain access to mounting locations.

**Step 3.** Locate the (4) 14mm holes in the lower radiator support. Attach the mount brackets using the (4) 1/2-13\*1.00" hex head bolts, (4) 1/2" external-internal tooth lock washer, (4) 1/2" flat washer, (4) 1/2" lock washer, (4) 1/2-14 hex nuts, (2) 5/16-18\*1.75" hex head bolts, (2) 5/16" lock washer, (2) 5/16" flat washers and (2) 5/16-18 flange lock nuts. Leave loose.

Caution: Wheel must be supported to support sub-frame to the unibody to avoid misalignment for re-attachment.

**Step 4.** Install mount braces one side at a time. Remove the 14mm under carriage bolt and attach the mount brace using the existing 14mm bolt and supplied (1) 14mm lock washer and (1) 14 mm flat washer per side. See Figure #1.

**Step 5.** Repeat for opposite side.

**Step 6.** Temporarily attach safari Bar using the supplied (2) 1/2-13-2.0" Hex head bolts, (2) 1/2" lock washer and (2) 1/2" flat washer. Center and level. Hand tighten Safari Bar Bolts. Tighten and torque mount brackets bolts only, leave 14mm mount brace bolts hand tight, and remove safari bar only.

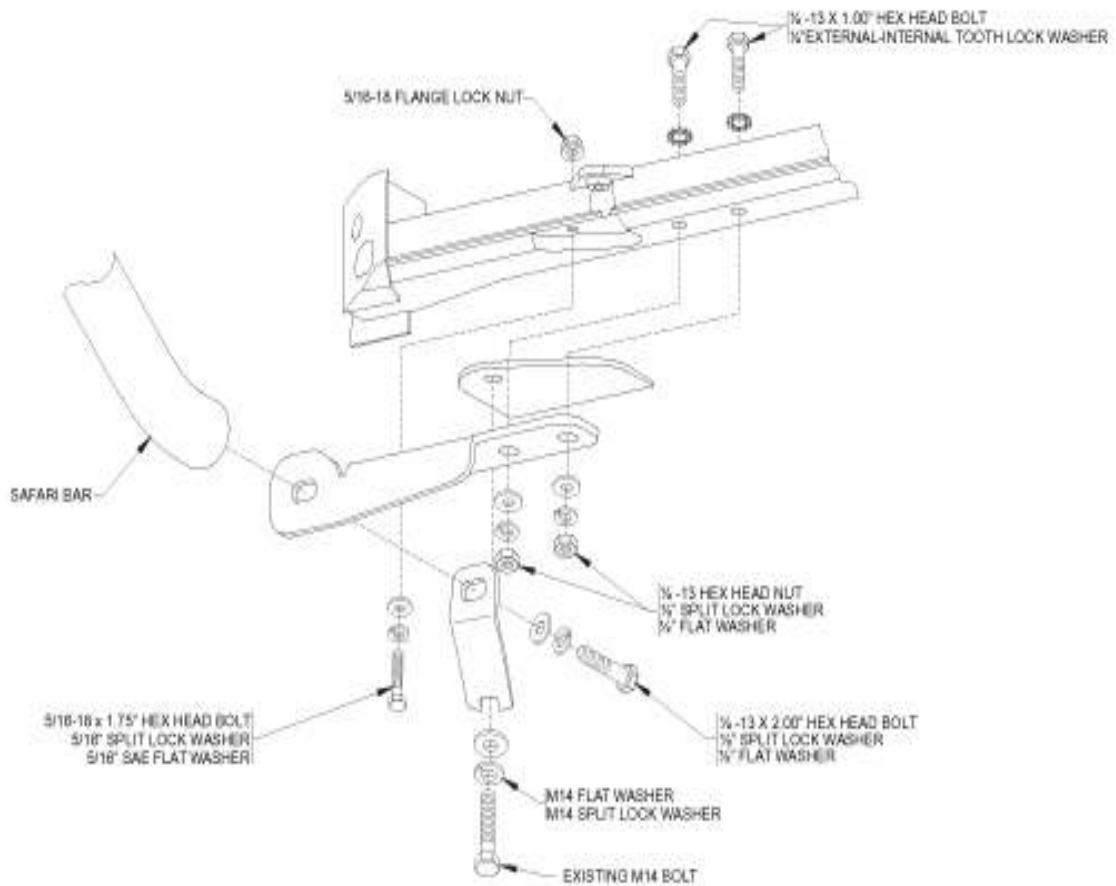
**Step 7.** Cut the plastic splash shield to accommodate the mount brackets and attachment of the safari bar. See cutting instructions for guideline on cutting.

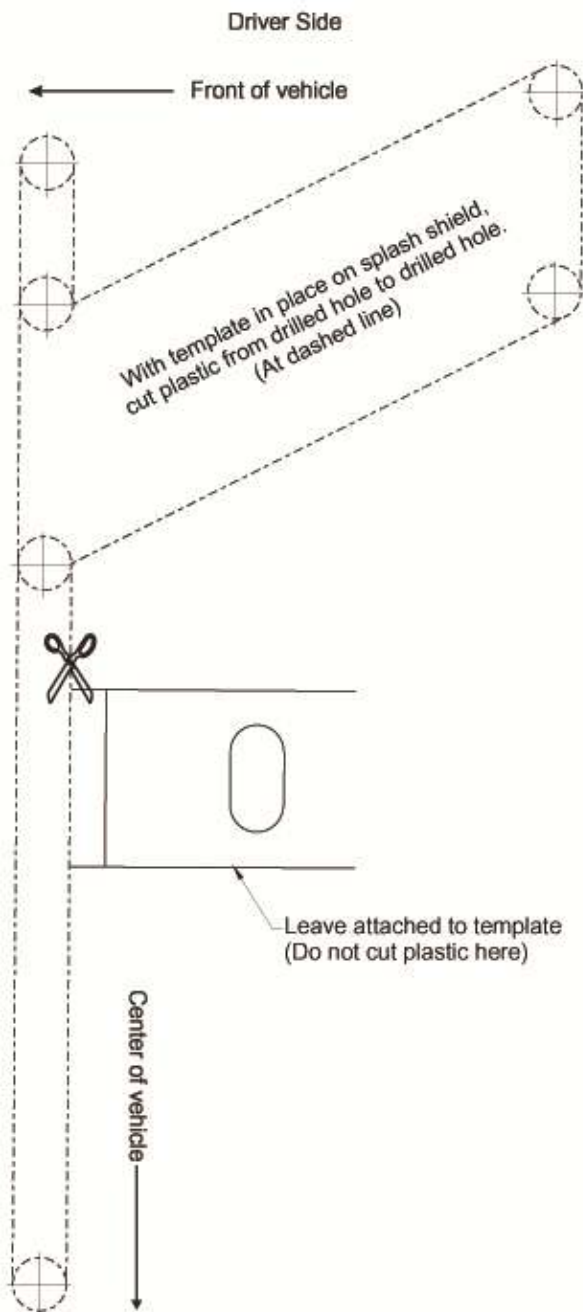
**Step 8.** Re-install the splash shield, 6mm bolts and all push type retainers.

**Step 9.** Re-attach Safari Bar using 1/2" fasteners previously removed. Center, level and torque fasteners to specifications below.

**Cutting instructions-(Recommendation only, sizes are approximate)**

The template works best if placed on the bottom side of the splash shield (the side away from the vehicle). Locate two oval slots that measure 3/8" X 11/16". Cut out templates and slot reference (leave slot reference attached to cut template) and place over the appropriate slots. Hold in place using masking tape. Position splash shield from drilled hold to drilled hole. It may be necessary to use a straight edge to ensure a straight cut. Additional trimming may be required when splash shield is reinstalled.





A BAR BRACKET FOR HONDA CRV 02-07

