



# **INSTALLATION INSTRUCTIONS**

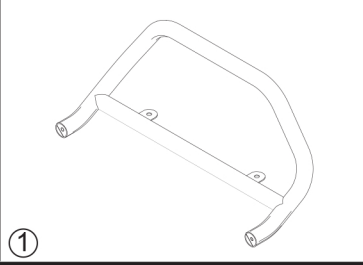
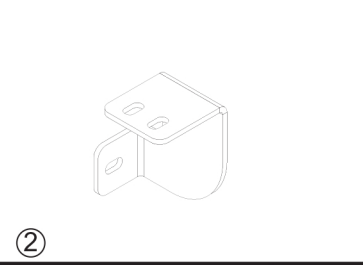
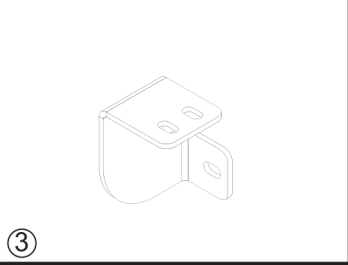
**PART #: MAB-TOB4701S**

**SAFARI BAR ASSEMBLY**



# INSTRUCTIONS

APPLICATION: 1998-04 TOYOTA TACOMA

SAFARI BAR ASSEMBLY				
		①	②	③
ITEM	QTY	CONTENTS		TOOLS
1	1	SAFARI BAR ASSEMBLY (PURCHASED SEPARATELY)		3/4" SOCKET
2,3	2	BRACKET, PASSENGER (2) AND DRIVER (3)		17MM SOCKET
4	2	1/2-13 X 2.00" HEX HEAD BOLT		RATCHET
5	2	1/2" FLAT WASHER		TORQUE WRENCH
6	2	1/2" LOCK WASHER		

- STEP 1. Remove the contents from box and check for damage. Verify all parts are present. Read instructions completely before beginning.
- STEP 2. Locate and remove tie down loops and tow hook fasteners. Install driver bracket between frame and tie down loop and passenger bracket between frame and tow hook. Use previously removed fasteners. Leave loose.
- STEP 3. Attach Safari Bar to mount brackets using 1/2" stainless steel fasteners. Level and adjust Safari as desired and tighten all fasteners. Recommended torque values are 64 Ft. Lbs. for 1/2" fasteners and 61 Ft. Lbs.