

INSTALLATION INSTRUCTION

14-18 Subaru Forester Max

Beacon Bull Bar

PART #

MAB-SUS0102S



**BLACK HORSE
OFF ROAD**

INSTALLATION INSTRUCTION

ITEM NO.: S01

DESCRIPTION: 2014-2017 SUBARU FORESTER ABAR / NUDGE BAR MOUNTING KIT

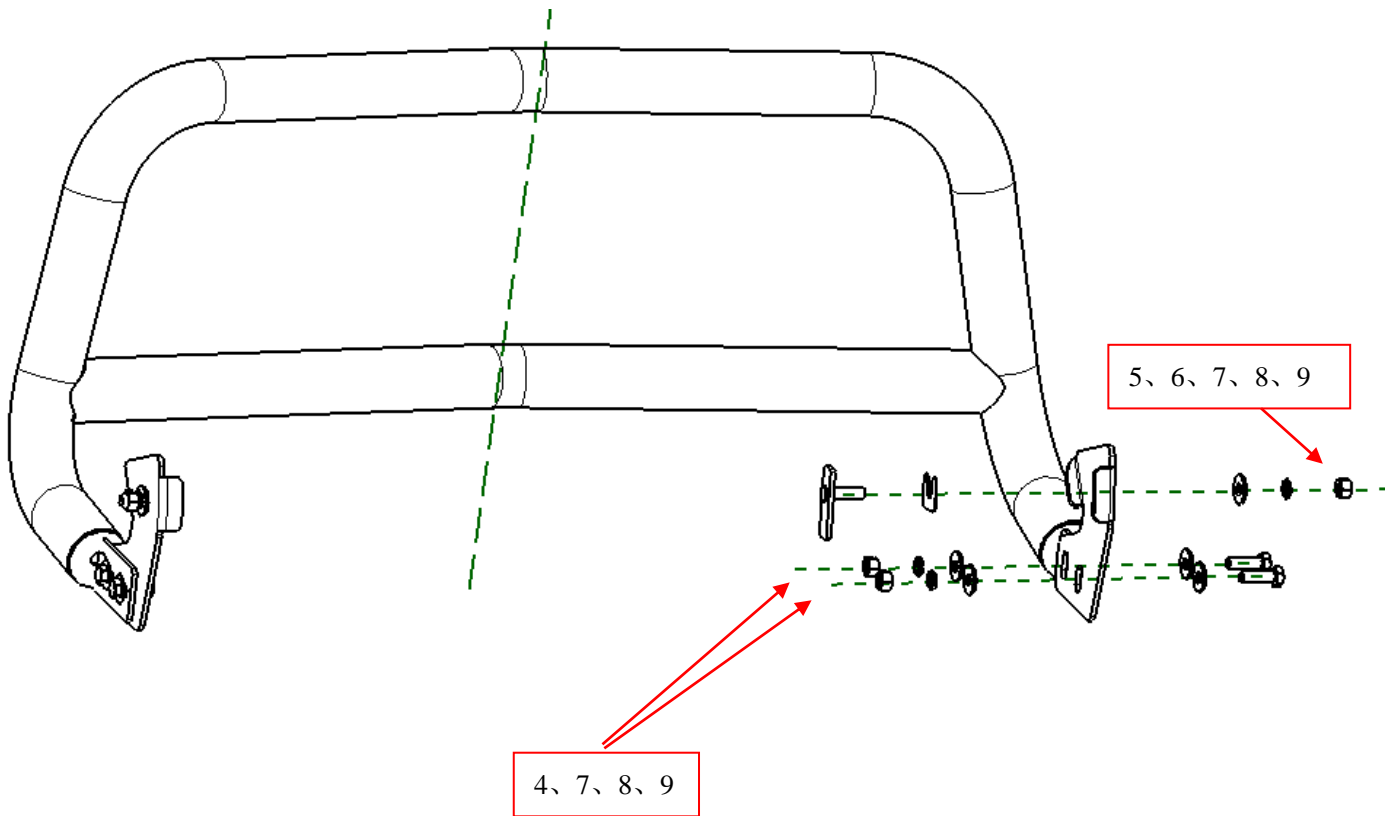
Attention:

- Please read this installation menu before installing this part. Protect your car properly in case there is any scratch might have.
- You may need to periodically to re-tighten all hardware for safety use after installation.
- Installation pictures are only for your reference, there might be some differences between pictures and real parts but no affect for your fitting.

PART LIST

NO.	NAME	QTY	REMARK	NO.	NAME	QTY	REMARK
1	Bull Bar	1		6	Plastic Fixture	2	Φ12
2	Left Bracket	1		7	Spring Washer	6	φ12
3	Right Bracket	1		8	Hexagon Nut	6	M12
4	Hexagon Bolt	4	M12x35	9	Large Washer	10	φ12x30x3.0
5	T Bolt	2					

INSTALLATION PICTURE



Disclaimer: Caused due to improper installation initiates or some related problem and losses, are beyond our company's quality assurance

Learn more about grille guards we have.