



INSTALLATION INSTRUCTIONS

PART #:MAB-FOB2801B

SAFARI BAR ASSEMBLY

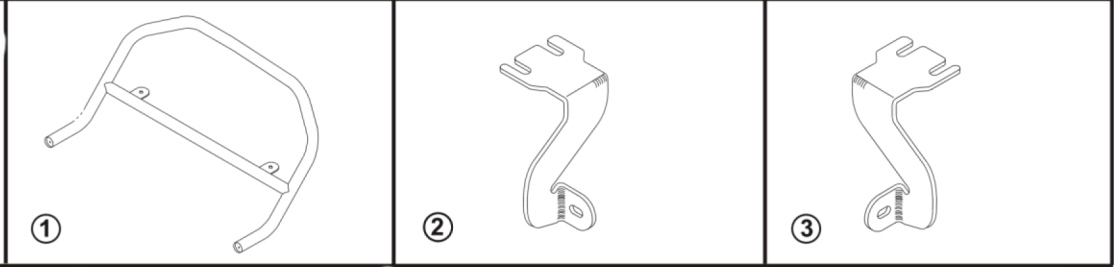


INSTRUCTIONS

APPLICATION: 2001-04 FORD EXPLORER SPORT 2DR 2/4WD
2001-05 FORD EXPLORER SPORT TRAC 4DR 2/4WD

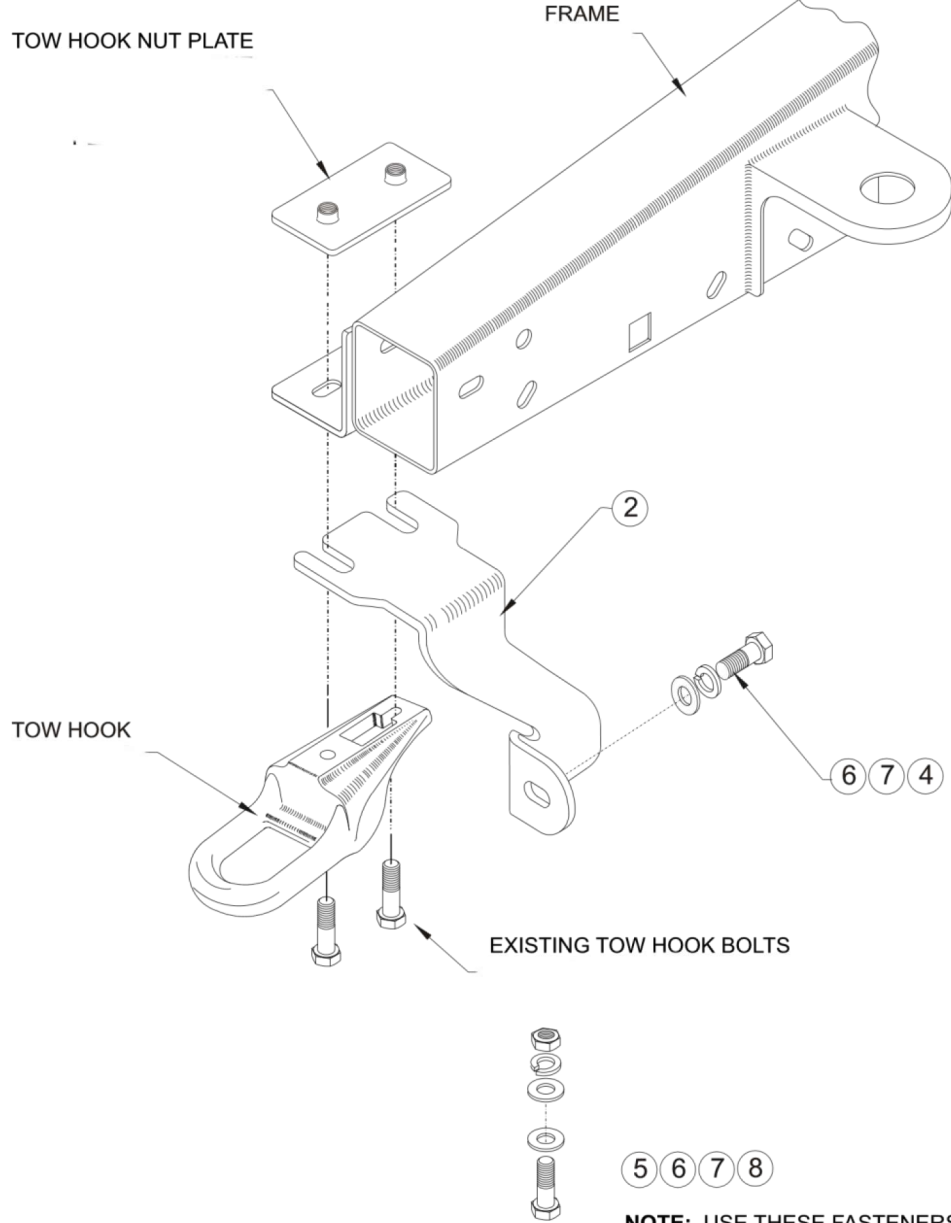
SAFARI BAR ASSEMBLY

EQUIPO DE MONTAJE
JEU DE MONTAGE



ITEM	QTY	CONTENTS	TOOLS
1	1	SAFARI BAR ASSEMBLY (PURCHASED SEPARATELY)	3/4" SOCKET
2,3	2	BRACKET, PASSENGER (2) AND DRIVER (3)	8MM SOCKET
4	2	1/2-13 X 2.00" HEX HEAD BOLT	10MM SOCKET
5	4	1/2-13 X 1.25" HEX HEAD BOLT	15MM SOCKET
6	10	1/2" FLAT WASHER	RATCHET
7	6	1/2" LOCK WASHER	TORQUE WRENCH
8	4	1/2-13 HEX NUT	

- STEP 1.** Remove the contents from box and check for damage. Verify all parts are present. Read instructions completely before beginning.
- STEP 2.** Remove four 8mm bolts and three 6mm bolts that secure the lower shroud cover located behind bumper.
- STEP 3.** Loosen front and rear tow hook bolts.
NOTE: Vehicles without tow hooks, attach brackets to frame using 1/2" fasteners as shown. Install bolts through existing holes in L bracket on side of frame. **SEE FIGURE 1.**
- STEP 4.** Attach brackets between tow hooks and vehicle frame. Leave loose.
- STEP 5.** Attach Safari Bar to mount brackets using 1/2" fasteners. Level and adjust Safari as desired and tighten all fasteners. Recommended torque values are 64 Ft. Lbs. for 1/2" fasteners and 50 Ft. Lbs. for tow hook bolts.
- STEP 6.** Reinstall lower shroud cover. Torque 8mm fasteners to 26 FT. LBS. and 6mm fasteners to 11 FT. LBS.



NOTE: USE THESE FASTENERS ON VEHICLES WITHOUT TOW HOOKS.

FIGURE 1 PASSENGER SIDE SHOWN, DRIVER SIDE OPPOSITE