



## **INSTALLATION INSTRUCTIONS**

**#IM-DORACC**

09-15 Dodge Ram 1500 Crew/Quad Cab

10-15 Dodge Ram 2500/3500 Crew/Quad Cab

## Installation Instructions

### IM-DORACC

09–15 Dodge Ram 1500 Crew/Quad Cab

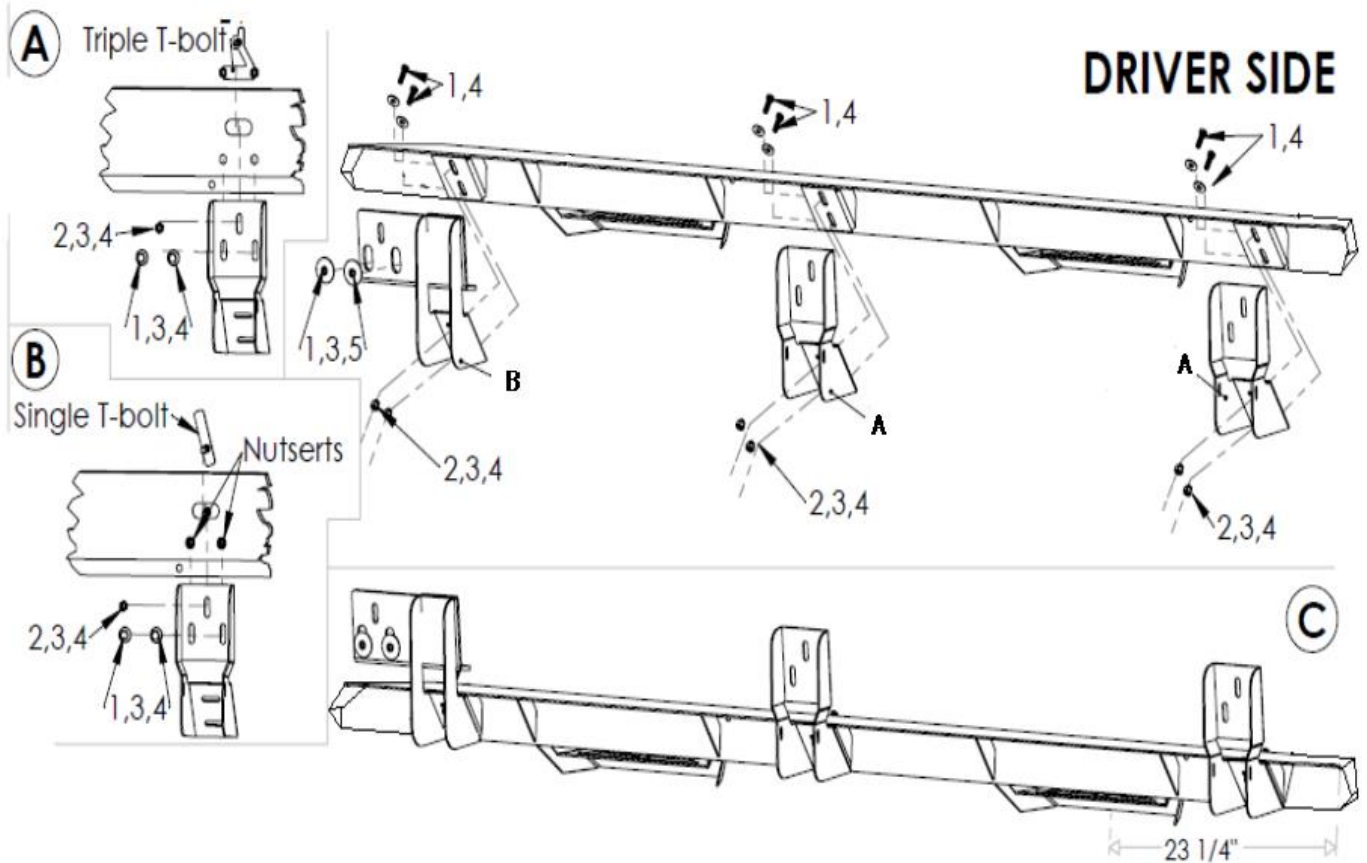
10–15 Dodge Ram 2500/3500 Crew/Quad Cab

## PARTS LIST

	2	Step bars	(3)	30	Lock washers(8mm)
(A)	4	Front/Middle mounting brackets	(4)	42	Flat washers(8mm)
(B)	2	Rear mounting brackets	(5)	4	M8 Fender washers
(C)	6	M8-1.25 Triple T-bolt	(6)	6	Hex head nuts (M10-1.5)
(D)	6	M10-1.5x40mm Single T-bolts	(7)	6	Lock washers (10mm)
(1)	24	Hex head bolts(M8-1.25*30mm)	(8)	6	Flat washers (10mm)
(2)	18	Hex head nuts(M8-1.25)	(9)	6	M10 Plastic push nuts

## PROCEDURE

- 1: Read and understand instructions completely before beginning installation.
- 2: Remove all factory step bracket and hardware. If your truck was equipped with factory steps and you have threaded Nutserts in the inside rocker panel, leave Nutserts in the panel from.
- 3: Locate the driver's side step and rear bracket (the center of front foot step is 23.25" from the front of bar and the rear bracket points towards the front of the truck, see diagram C).
- 4: Using figures A & B, determine if your truck has the threaded Nutserts in the lower inside rocker panel or not. If your truck is equipped with them, then you will use the single t-bolt set up as shown in figure B in the top hole location. If your truck does have the Nutserts, then use the triple t-bolt as shown figure A. Once You have determined which y-bolt to use, insert t-bolt with supplied square plastic washers (put plastic Washers on t-bolts before installing so they don't fall into rocker panel). Loose fit brackets to rocker panel Using supplied hardware (see diagram) 4 large fender washers are for the large lower holes on the rear brackets (B). On 2015 trucks with factory side steps, the Nutserts are larger and protrude out of the rockers panel 1/8", if you use the single t-bolt set up there is a 1/8" spacer provided to go between the step brackets and the rocker panel so the bracket sits flush on the Nutserts SEE PAGE 2.
- 5: Once brackets are loose fit to truck, loose fit step to brackets using supplied hardware.
- 6: Once bar and brackets have been loose fit into position, adjust and tighten the brackets to rocker panel. If using factory Nutsert bolts 12 ft/lbs and Hand Tighten upper T-bolt. If using tripie t-bolt Hand tighten all three.
- 7:Next, adjust bar front/back and up/down then tighten step to brackets. Hand tighten the hardware holding the step to the brackets. Repeat for passenger side.



**2015 Dodge Ram 1500 Crew/Quad Cab**  
**2015 Dodge Ram 2500/3500 Crew/Quad Cab**  
**Installation Instructions**

**PARTS LIST**

(E)	4	Front/Middle Support Brackets	(2)	18	Hex head nuts (M6)
(F)	2	Rear Support Brackets	(3)	18	Lock washers (M6)
(G)	6	Spacers	(4)	36	Flat washers (M6)
(1)	8	Hex head bolts(M6 x 20mm)	(5)	10	Hex head bolts (M6 x 30mm)

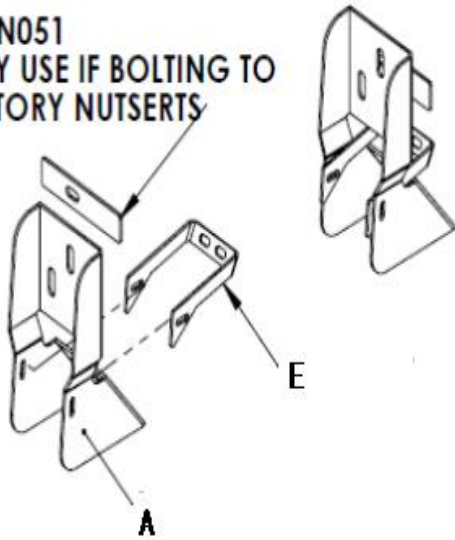
**PROCEDURE**

- 1: On 2015 Dodge Ram trucks there are pre-drilled holes in the pinch weld along the bottom of the cab E attaches to these holes and to step bracket A and F attaches to these holes and to step bracket B.
- 2: Using provided 6mm hardware attach A to each of the brackets E and the holes in the pinch weld of the cab. Fully tighten all hardware. See FIG.A.
- 3: For bracket F, lay the bracket on top of bracket B and use hardware that attaches B to the rocker panel to attach F. Using provided 6mm hardware, attach B to the hole in the pinch weld of the cab. Fully tighten all hardware. See FIG.B.
- 4: On 2015 Ram trucks; if the truck came with factory side steps and you are reusing the factory Nutserts,

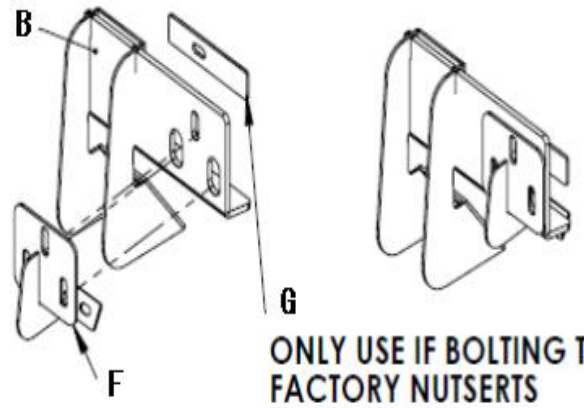
there is a provided 1/8" spacer (C) so the step brackets sit flush on the factory Nutserts. See FIG.A and FIG.B.

**FIG. A PASSENGER/DRIVER SIDES**

**RTSPN051  
ONLY USE IF BOLTING TO  
FACTORY NUTSERTS**



**FIG. B PASSENGER SIDE**



**ONLY USE IF BOLTING TO  
FACTORY NUTSERTS**

