

INSTALLATION INSTRUCTION

Black Rear Bumper Guard (Double Tube)

06-11 ML W164

PART # CRDL-MBM103S



**BLACK HORSE
OFF ROAD**

INSTALLATION INSTRUCTION

ITEM NO.: ML350110403ZJ

DESCRIPTION: Bracket for rear Guard 06-11ML350 550/GL450 550.

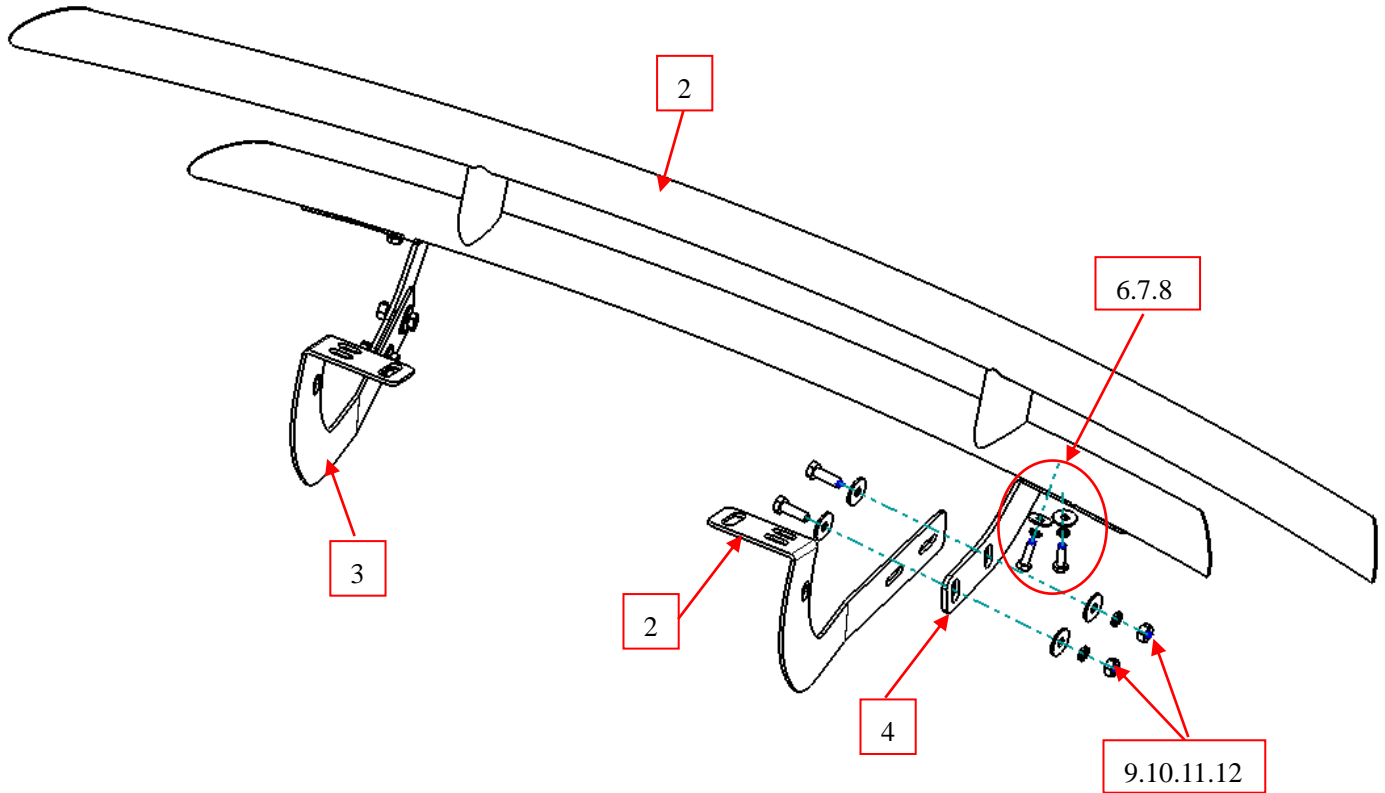
Attention:

- Please read this installation menu before installing this part. Protect your car properly in case there is any scratch might have.
- You may need to periodically to re-tighten all hardware for safety use after installation.
- Installation pictures are only for your reference, there might be some differences between pictures and real parts but no affect for your fitting.

PART LIST

| NO. | NAME | QTY | REMARK | NO. | NAME | QTY | REMARK |
|-----|--------------------------|-----|--------|-----|---------------|-----|-------------|
| 1 | Rear Guard | 1 | | 7 | Large Washer | 4 | Φ8*25*2.0 |
| 2 | Mounting Bracket (left) | 1 | | 8 | Spring Washer | 4 | Φ8 |
| 3 | Mounting Bracket (right) | 1 | | 9 | Hexagon Bolt | 4 | M10*30 |
| 4 | Bracket (left) | 1 | | 10 | Large Washer | 8 | φ 10*30*2.5 |
| 5 | Bracket (right) | 1 | | 11 | Spring Washer | 4 | φ 10 |
| 6 | Hex Head Bolt | 4 | M8*25 | 12 | Hexagon Nut | 4 | M10 |

INSTALLATION PICTURE



Disclaimer: Caused due to improper installation initiates some related problem and losses, are beyond our company's quality assurance.

Learn more about grille guards we have.