

INSTALLATION INSTRUCTION

Black Rear Bumper Guard (Double Tube)

for

2007-2011 Mercedes-Benz ML Series

2007-2012 Mercedes-Benz GL Series

PART # CRDL-MBM103B / CRDL-MBM103S



**BLACK HORSE
OFF ROAD**

INSTALLATION INSTRUCTION

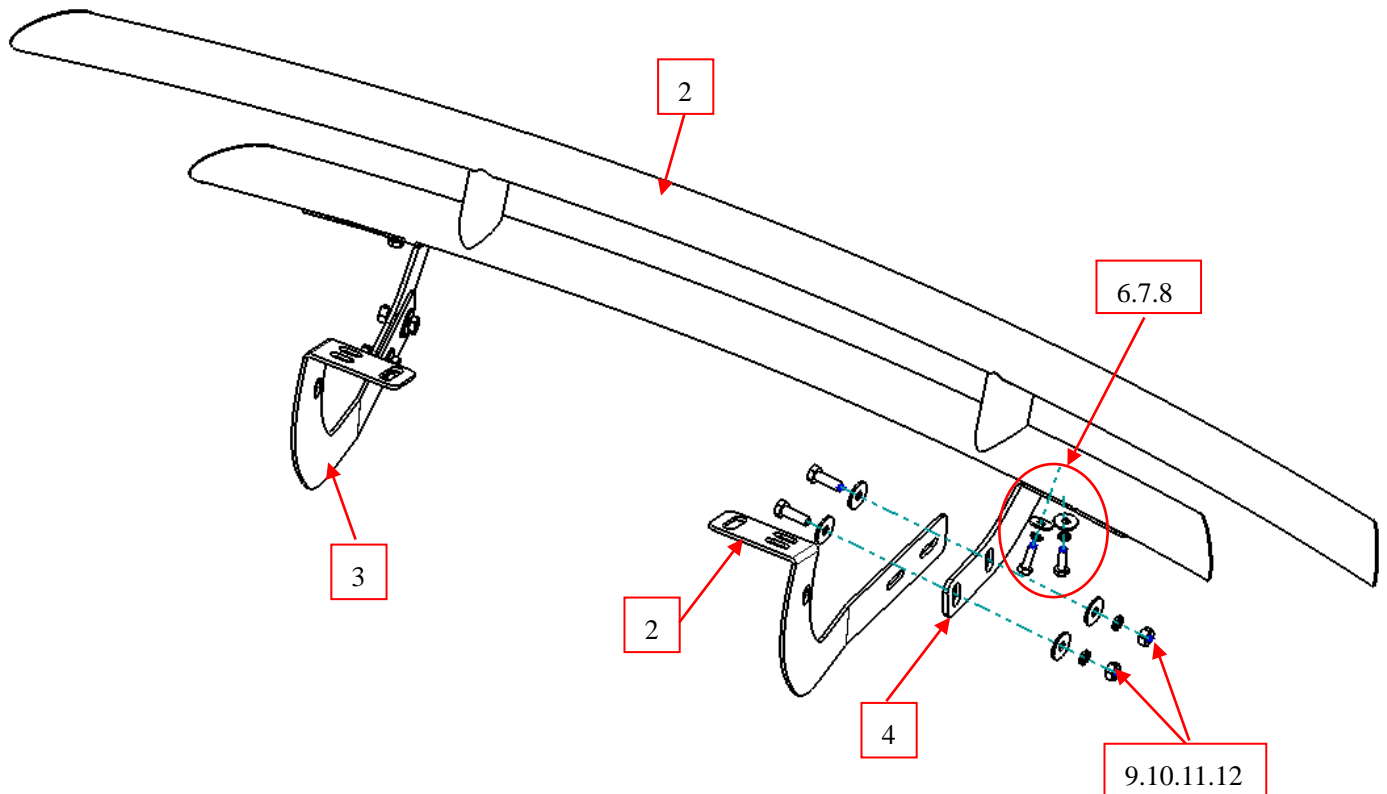
Attention:

- Please read this installation menu before installing this part. Protect your car properly in case there is any scratch might have.
- You may need to periodically to re-tighten all hardware for safety use after installation.
- Installation pictures are only for your reference, there might be some differences between pictures and real parts but no affect for your fitting.

PART LIST

NO.	NAME	QTY	REMARK	NO.	NAME	QTY	REMARK
1	Rear Guard	1		7	Large Washer	4	Φ8*25*2.0
2	Mounting Bracket (left)	1		8	Spring Washer	4	Φ8
3	Mounting Bracket (right)	1		9	Hexagon Bolt	4	M10*30
4	Bracket (left)	1		10	Large Washer	8	φ10*30*2.5
5	Bracket (right)	1		11	Spring Washer	4	φ10
6	Hex Head Bolt	4	M8*25	12	Hexagon Nut	4	M10

INSTALLATION PICTURE



Disclaimer: Caused due to improper installation initiates some related problem and losses, are beyond our company's quality assurance.

Learn more about grille guards we have.