



INSTALLATION INSTRUCTIONS

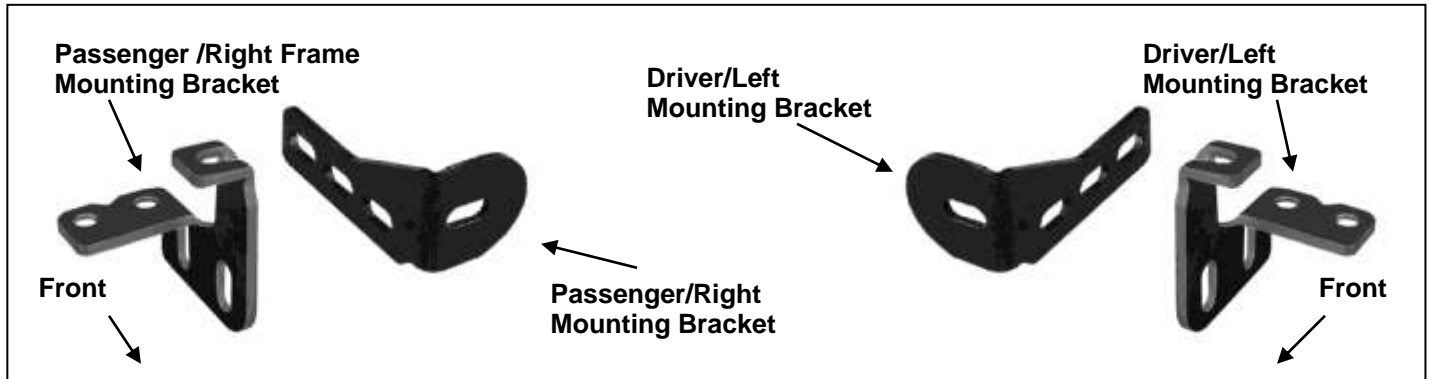
2.5" S/S BULL BAR W/O SKID PLATE FOR Hyundai Santa Fe 01-06

PART # CBS-HYB6001

PARTS LIST:

1	Sport Bar	4	12-1.75mm x 35mm Hex Bolts
---	-----------	---	----------------------------

1	Driver/Left Frame Mounting Bracket	2	12-1.75mm x 40mm Hex Bolts
1	Passenger/Right Frame Mounting Bracket	6	12mm Lock Washers
1	Driver/Left Mounting Bracket	10	12mm x 32mm OD x 3mm Flat Washers
1	Passenger/Right Mounting Bracket	4	12mm Hex Nuts



PROCEDURE:

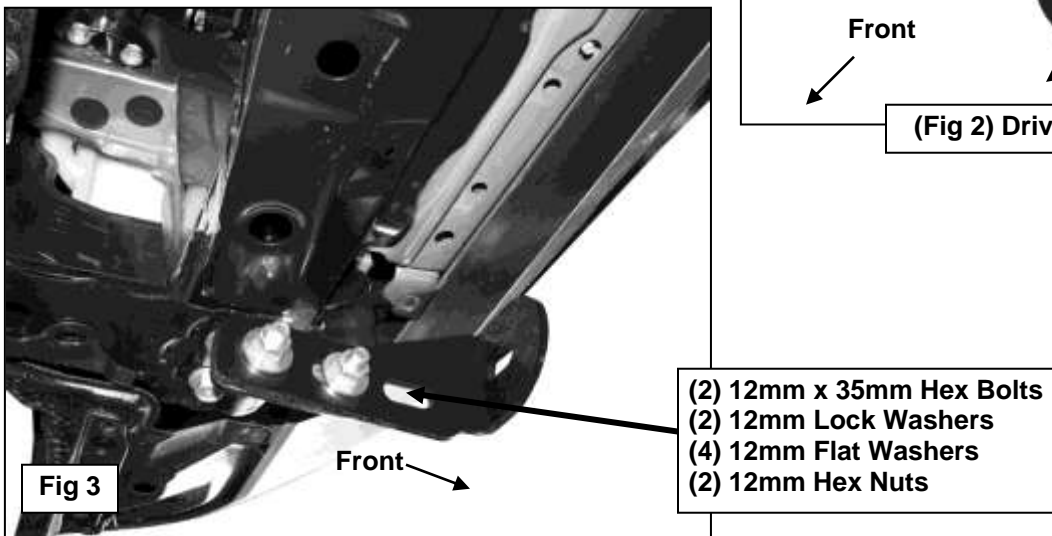
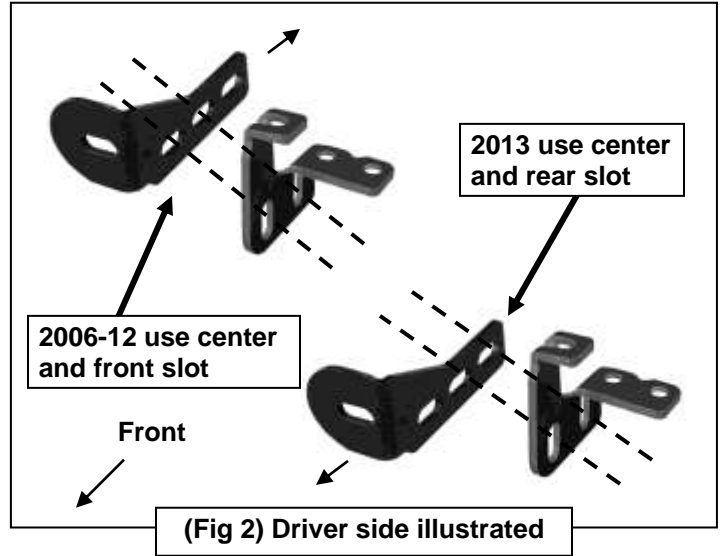
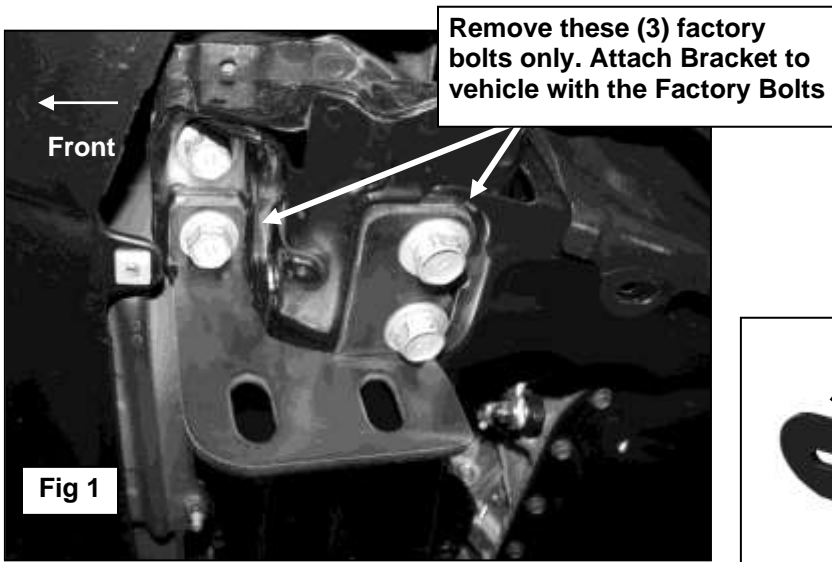
1. REMOVE CONTENTS FROM BOX. VERIFY ALL PARTS ARE PRESENT. READ INSTRUCTIONS CAREFULLY BEFORE STARTING INSTALLATION. CUTTING IS REQUIRED. ASSISTANCE IS RECOMMENDED.
2. Starting under the front of the vehicle, remove the plastic splash guard and place it on a clean, stable work area. **IMPORTANT:** Pay close attention to the specific location of all of the two-piece plastic clips and screws to make reinstallation easier. Use a small flat blade screwdriver to gently pry up the plastic center pin to release the clip. Remove the center pin and the plastic housing of each clip.
3. Locate the factory hex bolts securing the crossmember to the frame, (**Figure 1**). Select the driver side Frame Bracket. Line up the Bracket with the (3) factory hex bolts to determine the correct bolts to remove. Remove the (3) hex bolts. **NOTE:** Only install one Frame Bracket at a time and only remove the (3) factory hex bolts required for Bracket installation, (**Figure 1**). Bolt the Bracket into position with the factory hex bolts. Snug the hardware but do not fully tighten at this time.
4. Select the driver side sport bar Mounting Bracket, (**Figure 2**). Bolt the Mounting Bracket to the inside of the Frame Bracket with the included (2) 12mm x 35mm Hex Bolts, (2) 12mm Lock Washers, (4) 12mm Flat Washers and (2) 12mm Hex Nuts, (**Figure 3**). **NOTE:** There are (3) slots in the Mounting Bracket. Use the center and front slots for 06-12 vehicles and use the center and rear slot for 2013 vehicles, (**Figure 2**). Snug but do not tighten hardware.
5. Repeat **Steps 3 - 4** to install the passenger side Brackets.
6. Place the Sport Bar face down on a clean surface in front of the vehicle. With assistance, carefully position the Sport Bar up to the Mounting Brackets. Attach the Sport Bar to the Mounting Brackets using the included (2) 12mm x 40mm Hex Bolts, (2) 12mm Lock Washers, (2) 12mm Flat Washers, (**Figure 4**).
7. Level and adjust the Sport Bar and tighten all hardware.
8. Hold the splash guard up into position under the Mounting Brackets and mark the location of the Brackets onto the inside of the cover, (**Figure 5**). Cut the splash guard to clear the Mounting Brackets, (**Figure 6**). **IMPORTANT:** To maintain strength, cut only what is required to clear the Mounting Brackets. Once cut and trimmed for fit, reinstall the splash guard using the factory hardware.
9. Do periodic inspections to the installation to make sure that all hardware is secure and tight.

To protect your investment, wax this product after installing. Regular waxing is recommended to add a protective layer over the finish. Do not use any type of polish or wax that may contain abrasives that could damage the finish.

For stainless steel: Aluminum polish may be used to polish small scratches and scuffs on the finish. Mild soap may be used also to clean the Sport Bar.

For gloss black finishes: Mild soap may be used to clean the Sport Bar.

Driver Side Installation Pictured



Driver Side Installation Pictured



- (1) 12mm x 40mm Hex Bolts
- (1) 12mm Lock Washers
- (1) 12mm Flat Washers

Fig 4

Front →

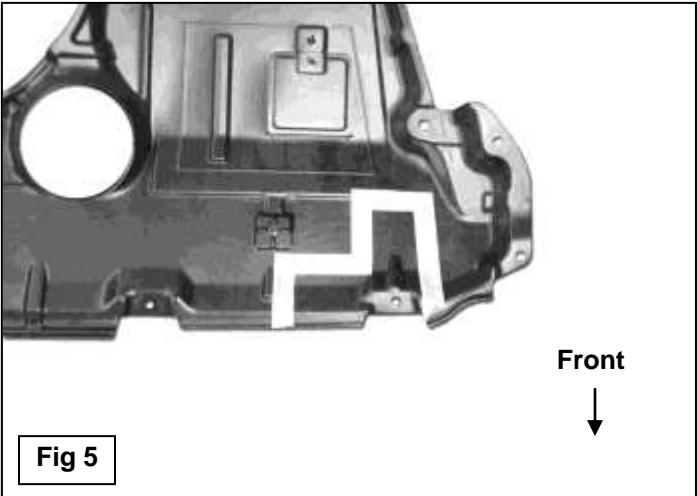


Fig 5

Front
↓

Hold the plastic splash guard up to the bottom of the brackets. Trace location of brackets onto the inside of the splash guard. Picture used for example only

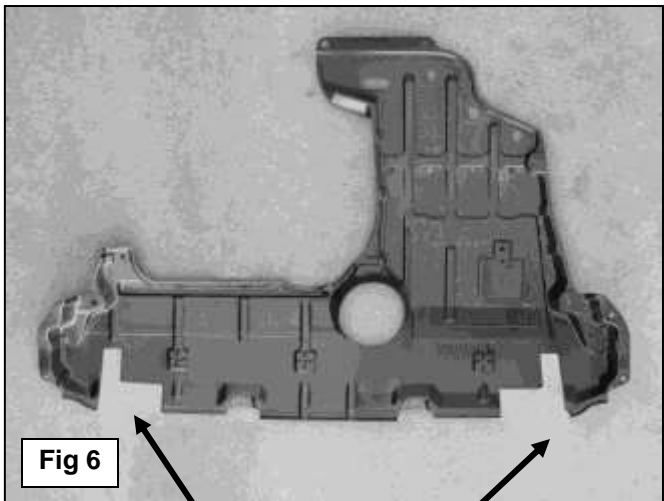


Fig 6

Cut out the sections illustrated to clear the Mounting Brackets (Pictured for example only, actual area to cut may be different)



Complete Installation