



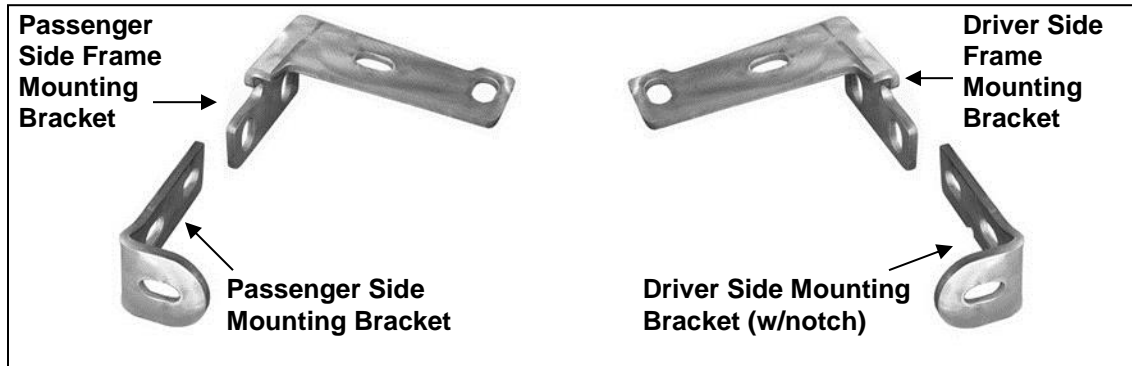
INSTALLATION INSTRUCTIONS

PART # CBB-TYB4901

**A BAR
for
2005 - 2010 Toyota Sienna**

PARTS LIST:

1	City Bar	2	12-1.75mm x 50mm Hex Bolts
1	Driver/Left Frame Mounting Bracket	4	12-1.75mm x 35mm Hex Bolts
1	Passenger/Right Frame Mounting Bracket	10	12mm x 32mm OD x 3mm Flat Washers
1	Driver/Left Mounting Bracket	6	12mm Lock Washers
1	Passenger/Right Mounting Bracket	4	12mm Hex Nuts



PROCEDURE:

- 1. REMOVE CONTENTS FROM BOX. VERIFY ALL PARTS ARE PRESENT. READ INSTRUCTIONS CAREFULLY BEFORE STARTING INSTALLATION. CUTTING OF THE SPLASH GUARD IS REQUIRED. ASSISTANCE IS RECOMMENDED.**
- Remove the plastic splash guard from under the front bumper and place it on a clean, stable work surface. **IMPORTANT:** Pay close attention to the specific location of all of the plastic clips and screws to make reinstallation easier. Use a small flat blade screwdriver to gently pry up the center pin to release the plastic clips. Remove the center pin and plastic housing.
- Starting at the driver side, remove the (2) factory hex bolts securing the frame support to the crossmember, **(Figure 1A & 1B)**. **NOTE:** Only install one Frame Mounting Bracket at a time and only remove the (2) factory hex bolts required to install the Frame Mounting Bracket. To provide extra clearance under the frame support, loosen the factory hex bolt in the subframe mount 1-2 full turns but **do not remove it** from the mount, **(Figures 1A & 1B)**. Select the driver side Frame Mounting Bracket and insert it under the frame support. Line up the two mounting holes in the Frame Mounting Bracket with the frame support and reinstall the factory mounting bolts, **(Figure 2)**. **IMPORTANT:** In some cases, due to very tight tolerances on the factory frame support, it may be necessary to carefully file the holes in the factory frame support for a little added clearance **only** if you find it difficult to get the factory hex bolt to thread into the crossmember. **DO NOT DAMAGE THE FINE THREADS ON THE FACTORY HEX BOLTS OR THE CROSSMEMBER!** Snug but do not tighten hardware at this time.
- Select the driver side Mounting Bracket, **(Figure 3A & 3B)**. Bolt the Mounting Bracket to the outside of the Frame Mounting Bracket with the included (2) 12mm x 35mm Hex Bolts, (2) 12mm Lock Washers, (4) 12mm Flat Washers and (2) 12mm Hex Nuts, **(Figure 4)**. Snug but do not tighten hardware at this time. Repeat Steps 3 & 4 for the passenger side bracket installation.
- Place the City Bar face down on a clean surface in front of the vehicle. **NOTE:** Use the packing materials to protect the finish on the City Bar. With assistance, carefully position the City Bar up to the Mounting Brackets. Attach the City Bar to the Mounting Brackets with the included (2) 12mm x 50mm Hex Bolts, (2) 12mm Lock Washers, (2) 12mm Flat Washers, **(Figure 5)**. Snug but do not tighten hardware at this time.

6. Level and adjust the City Bar and tighten all hardware securing Mounting Brackets to the vehicle.
IMPORTANT: Tighten all factory bolts in the frame support and sub frame mount to the factory torque specifications.
7. Remove the City Bar, (leave all mounting brackets tightened in place). Hold the plastic splash guard up into position and mark the location for cutting of the splash guard to clear the Mounting Brackets, **(Figure 6)**. **IMPORTANT:** To maintain the integrity of the plastic splash guard, cut only the plastic material that is necessary to clear the Mounting Brackets, **(Figure 7)**. **NOTE:** Do not cut the rubber seal, **(Figure 6)**. Once the plastic splash guard is cut and trimmed for fit, reinstall the splash guard using the factory hardware.
8. Reinstall the City Bar and tighten all hardware.
9. Do periodic inspections to the installation to make sure that all hardware is secure and tight.

To protect your investment, wax this product after installing. Regular waxing is recommended to add a protective layer over the finish. Do not use any type of polish or wax that may contain abrasives that could damage the finish.

For stainless steel: Aluminum polish may be used to polish small scratches and scuffs on the finish. Mild soap may be used also to clean the City Bar.

For gloss black finishes: Mild soap may be used to clean the City Bar.

Passenger side mounting location pictured

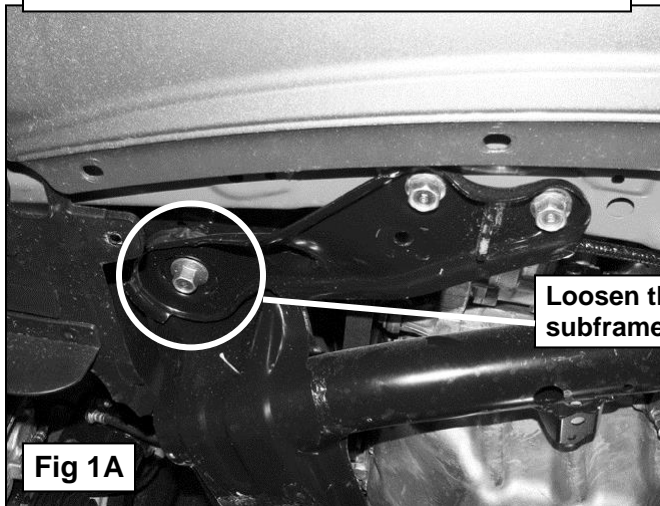


Fig 1A

Driver side mounting location pictured

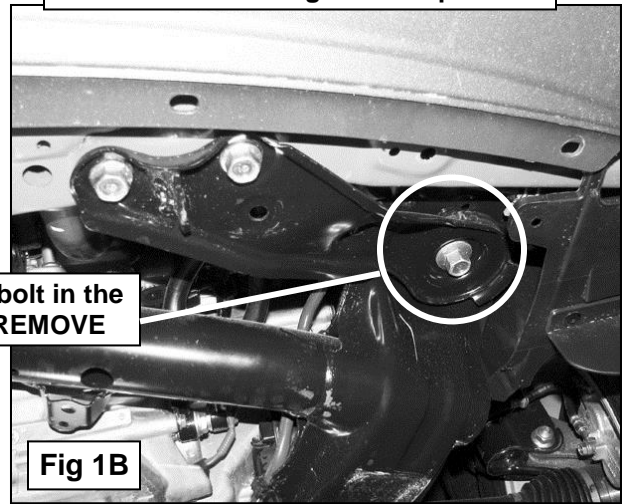


Fig 1B

Loosen the factory bolt in the subframe-DO NOT REMOVE

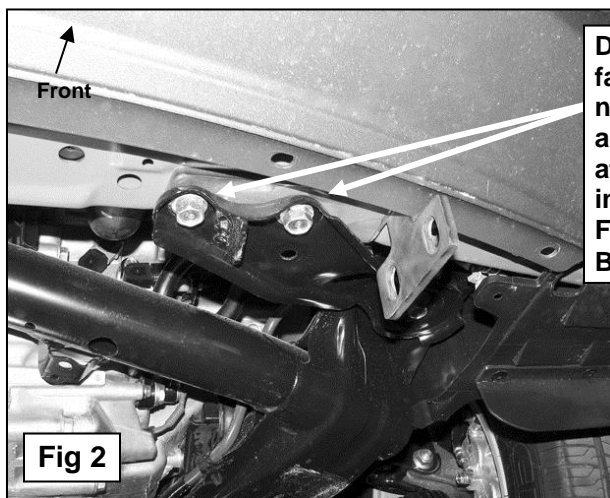


Fig 2

Due to tight tolerances, the holes in the factory frame support bracket may need to be filed slightly to provide additional clearance for the hex bolts after the Mounting Bracket is moved into position. DO NOT DAMAGE THE FINE THREADS ON THE FACTORY HEX BOLTS OR IN THE CROSSMEMBER

Driver Side Installation Pictured

Passenger side
(no notch)



Fig 3A

- (2) 12mm x 35mm Hex Bolts
- (2) 12mm Lock Washers
- (4) 12mm Flat Washers
- (2) 12mm Hex Nuts

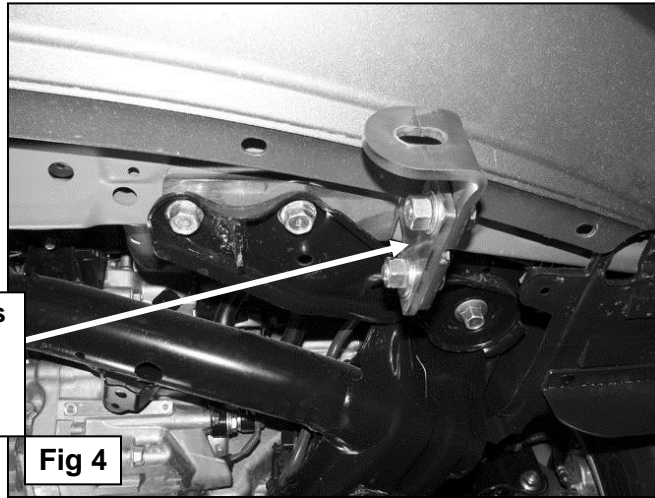


Fig 4

Driver side (w/notch)



Fig 3B

VERY IMPORTANT: Once the City Bar is properly aligned on the vehicle, tighten all factory bolts in the frame support and sub frame mount to factory torque specifications

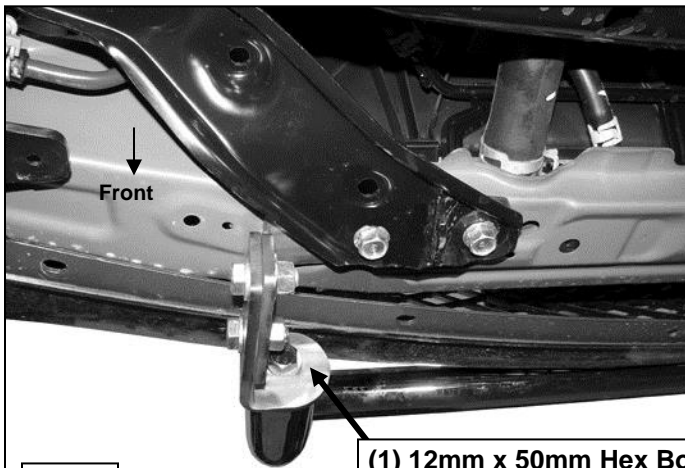


Fig 5

- (1) 12mm x 50mm Hex Bolt
- (1) 12mm Lock Washer
- (1) 12mm Flat Washer

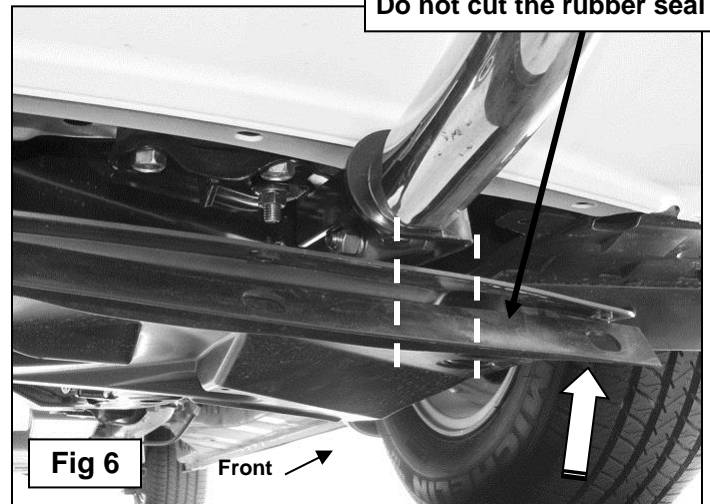


Fig 6

Do not cut the rubber seal

Hold the splash guard in position and mark the area to cut. Cut only the plastic splash guard. Do not cut the rubber seal.

Cut out the sections illustrated to clear the Mounting Brackets (rubber seal removed for illustration purposes)



Fig 7

