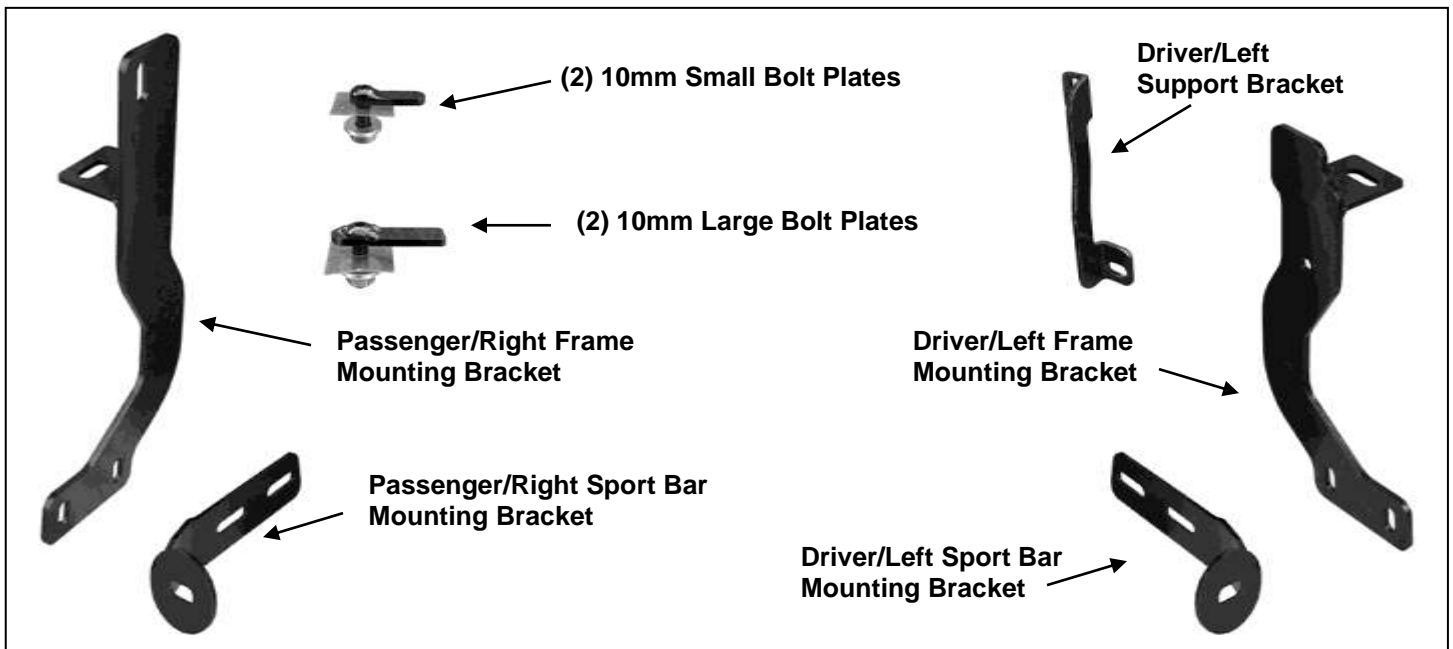




**INSTALLATION
INSTRUCTIONS 2.5" BULL BAR
FOR 14-16 Kia Sorento
PART # CBB-HYB6101SP**

PARTS LIST:

Qty	Description	Qty	Description
1	Sport Bar	2	12-1.75mm x 50mm Hex Bolts
1	Driver/Left Frame Mounting Bracket	2	12mm x 32mm x 3mm Flat Washers
1	Passenger/Right Frame Mounting Bracket	2	12mm Lock Washers
1	Driver/Left Support Bracket	5	10-1.5mm x 30mm Hex Bolts
1	Driver/Left Tube Mounting Bracket	13	10mm x 27mm x 3mm LRG Flat Washers
1	Passenger/Right Tube Mounting Bracket	1	10mm x 24mm x 2.2mm STD Flat Washer
2	10mm x 35mm Small Button Head Bolt Plates (16mm x 50mm)	7	10mm Lock Washers
2	10mm x 35mm Large Button Head Bolt Plates (18mm x 67mm)	2	10mm Locking Serrated Flange Nuts
4	10mm Plastic Retainers	7	10mm Hex Nuts



PROCEDURE:

1. REMOVE CONTENTS FROM BOX. VERIFY ALL PARTS ARE PRESENT. READ INSTRUCTIONS CAREFULLY BEFORE STARTING INSTALLATION. ASSISTANCE IS RECOMMENDED. CUTTING IS REQUIRED.
2. Starting under the front of the vehicle, remove the large plastic splash guard, **(Figure 10)**. **NOTE:** Pay close attention to the size, type and location of all factory hardware for reinstallation.
3. Locate the mounting area at the front of the frame channel on the driver side, **(Figure 1)**. Remove the rubber plugs on the bottom and inner side of the frame channel. **NOTE:** It may be easier to access the side of the frame from above, **(Figure 5B)**. Open the hood and locate the mounting hole in the side of the frame channel.
4. Select (1) 10mm Small Bolt Plate and (1) 10mm Plastic Retainer, **(Figure 2A)**. Partially thread the Retainer onto the Bolt Plate. **IMPORTANT:** The Plastic Retainer is designed to prevent the Bolt Plate from falling into the frame channel and to aid in mounting the Bracket. Insert the Small Bolt Plate into the hole in the side of the frame, **(Figure 2C)**. Thread the Plastic Retainer all the way down until it is against the frame.
5. Repeat **Step 4** to install the Large Bolt Plate, **(Figure 2B)**, in the hole in the bottom of the frame channel, **(Figure 2C)**.

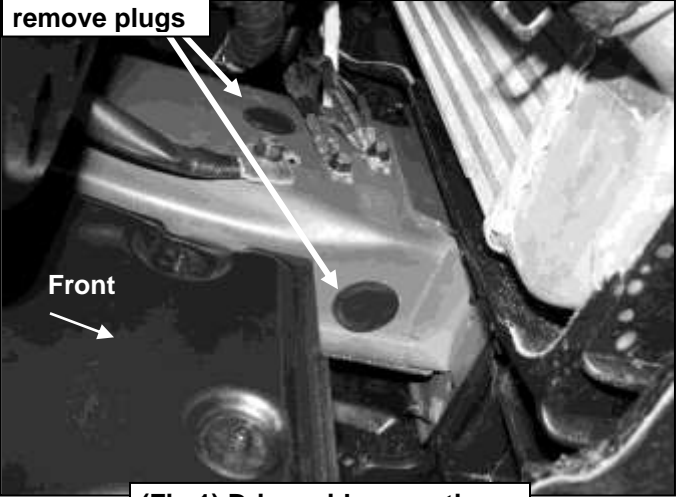
6. Select the driver side Frame Mounting Bracket. Slide the Bracket up and onto the Large Bolt Plate in the bottom of the frame channel, **(Figure 3)**. Secure the Bracket to the Bolt Plate with (1) 10mm x 27mm Large Flat Washer, (1) 10mm Lock Washer and (1) 10mm Hex Nut. Do not tighten hardware.
7. Next, select the driver side Support Bracket, **(Figure 4)**. Attach the top of the Support Bracket, (vertical slot), to the 10mm Small Bolt Plate in the side of the frame channel with (1) 10mm x 24mm STD Flat Washer and (1) 10mm Locking Flange Nut, **(Figures 5A & 5B)**. Line up the horizontal slot in the lower end of the Support Bracket with the hole in the Mounting Bracket. Bolt the Support Bracket to the inside of the Mounting Bracket with (1) 10mm x 30mm Hex Bolt, (2) 10mm Large Flat Washers, (1) 10mm Lock Washer and (1) 10mm Hex Nut, **(Figure 5A)**. Do not fully tighten hardware at this time.
8. Select the driver side Tube Mounting Bracket, **(Figure 6)**. Bolt the Bracket to the inside of the Frame Bracket with (2) 10mm x 30mm Hex Bolts, (4) 10mm Large Flat Washers, (2) 10mm Lock Washers and (2) 10mm Hex Nuts. Leave hardware loose at this time.
9. Move over to the passenger side of the vehicle and locate the mounting area as described in **Step 3**. Remove the rubber plugs in the bottom and inner side of the frame channel. Select (1) Small Bolt Plate and Plastic Retainer, **(Figure 2A)**. Insert the Bolt Plate into the hole in the side of the frame. Thread the Plastic Retainer all the way down until it is against the frame as described in **Step 3, (Figure 7A)**. Repeat **Steps 4 & 5** to install the 10mm Large Bolt Plate in the bottom of the frame channel, **(Figure 2B & 7B)**.
10. Select the passenger side Frame Bracket. Insert the Bracket up and over the Large Bolt Plate first then onto the Small Bolt Plate in the side of the frame, **(Figure 7A)**. Secure the Bracket to the Small Bolt Plate with (1) 10mm x 27mm Large Flat Washer and (1) 10mm Locking Flange Nut. Attach the Bracket to the Large Bolt Plate in the bottom of the frame channel with (1) 10mm x 27mm Large Flat Washer, (1) 10mm Lock Washer and (1) 10mm Hex Nut, **(Figure 7B)**. Snug but do not fully tighten hardware.
11. Repeat **Step 8** to install the passenger side Tube Mounting Bracket, **(Figure 8)**.
12. With assistance, hold the Sport Bar up to the Mounting Brackets. Attach the Sport Bar to the Brackets using the included (2) 12mm x 50mm Hex Bolts, (2) 12mm Lock Washers and (2) 12mm Flat Washers, **(Figure 11)**.
13. Level and adjust the Sport Bar and tighten the Frame Mounting Bracket to vehicle hardware only. **IMPORTANT:** Tighten the (2) 10mm Hex Nuts on the bolt plates in the bottom of the frame channel first, and then tighten the (2) 10mm Hex Nuts securing the Brackets to the side of the frame channel. Next, tighten the (2) 12mm Hex Bolts securing the Sport Bar to the Tube Brackets, **(Figures 6 & 8)**. Temporarily remove the Sport Bar with the Tube Brackets attached.
14. Hold the plastic splash guard up in position against the (2) Frame Brackets, **(Figure 9)**. Use a marker or removable tape to mark the location of the Frame Brackets onto the inside of the splash guard, **(Figure 10)**. Cut slots in the splash guard to clear the Brackets. **IMPORTANT:** Start with small slots and gradually enlarge the size for best fit. Do not cut through the front edge of the splash guard. Do not remove the mounting locations from the cover. Only cut slots big enough to clear the Frame Brackets. Once the cover clears the Brackets, reinstall the cover with the factory hardware removed in **Step 2**.
15. Reinstall the Sport Bar, align and adjust as required and fully tighten **all** hardware.
16. Do periodic inspections to the installation to make sure that all hardware is secure and tight.

To protect your investment, wax this product after installing. Regular waxing is recommended to add a protective layer over the finish. Do not use any type of polish or wax that may contain abrasives that could damage the finish.

For stainless steel: Aluminum polish may be used to polish small scratches and scuffs on the finish. Mild soap may be used also to clean the Sport Bar.

For gloss black finishes: Mild soap may be used to clean the Sport Bar.

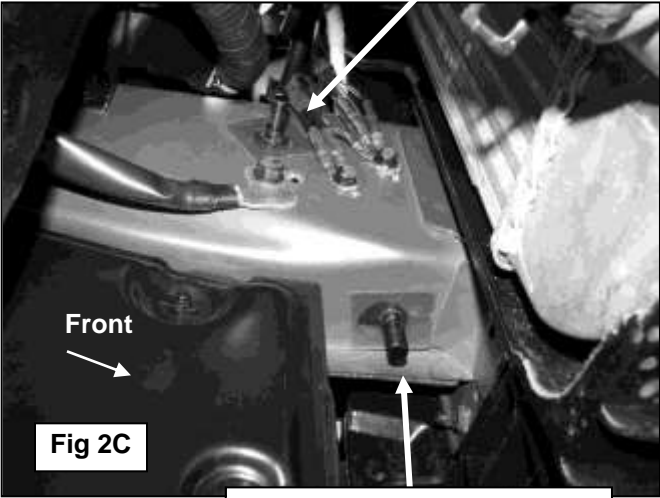
Locate and remove plugs



(Fig 1) Driver side mounting location pictured from below

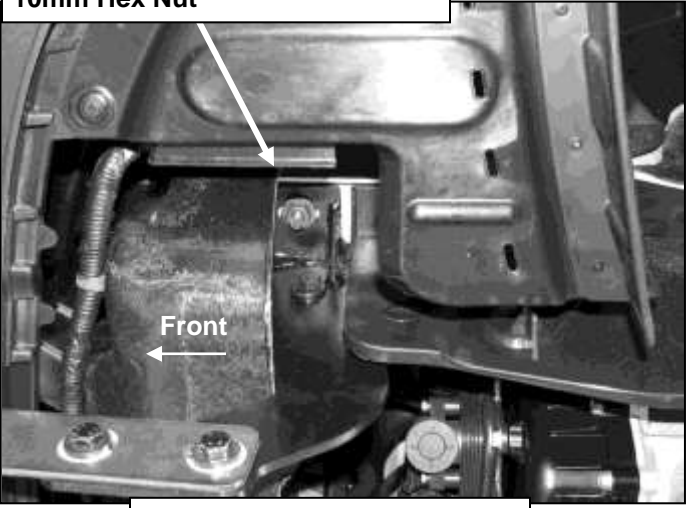


(Fig 2A) Small Bolt Plate installs in side of frame

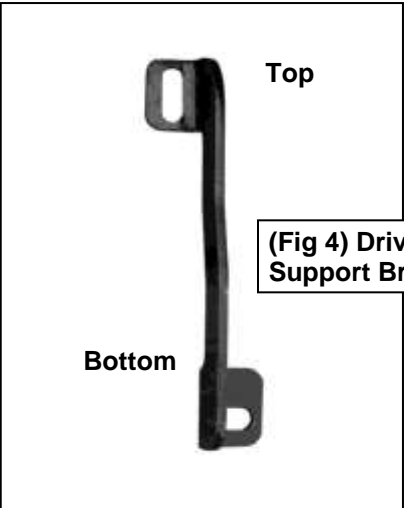


(Fig 2B) Large Bolt Plate installs in bottom of frame

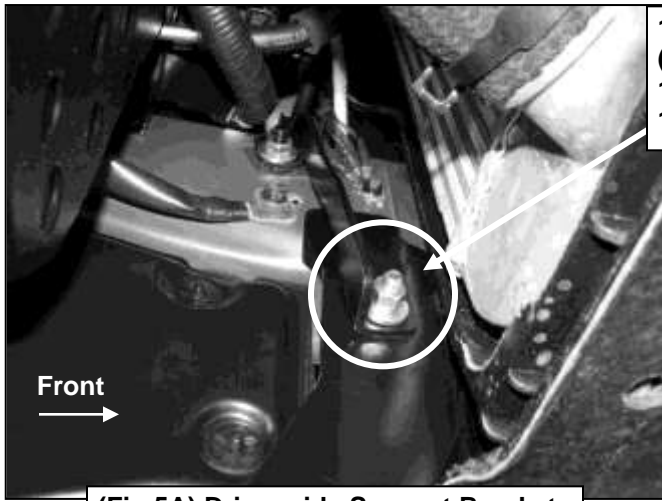
Attach the driver side Frame Bracket to Large Bolt Plate with:
10mm Large Flat Washer
10mm Lock Washer
10mm Hex Nut



(Fig 3) Driver side Frame Bracket pictured from below



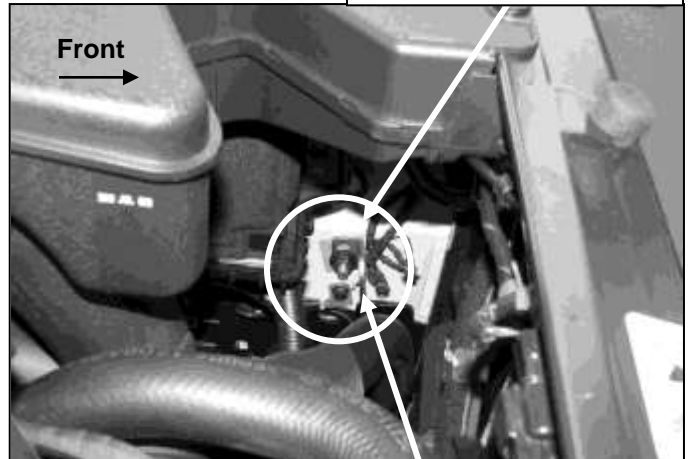
(Fig 4) Driver side Support Bracket



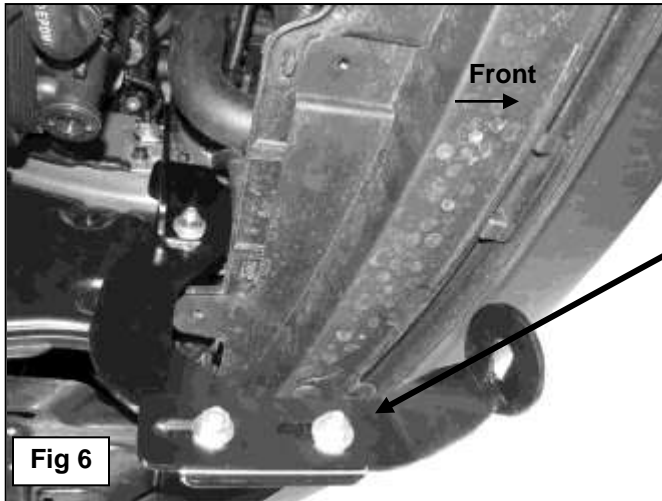
10mm x 30mm Hex Bolt
 (2) 10mm Large Flat Washers
 10mm Lock Washer
 10mm Hex Nut

10mm Small Flat Washer
 10mm Lock Flange Nut

(Fig 5A) Driver side Support Bracket.
 NOTE: Only required for driver side



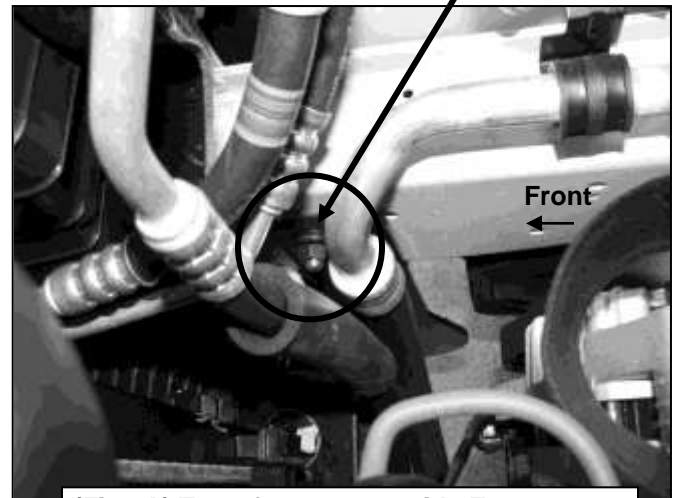
(Fig 5B) Driver Support Bracket pictured from above



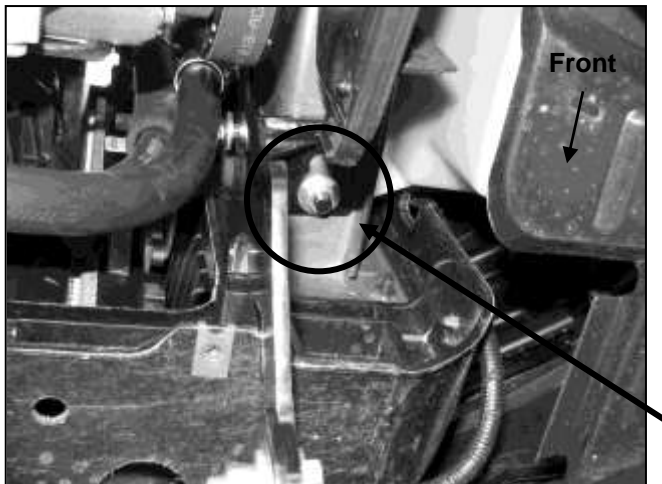
(2) 10mm x 30mm Hex Bolts
 (4) 10mm Large Flat Washers
 (2) 10mm Lock Washers
 (2) 10mm Hex Nuts

10mm Small Flat Washer
 10mm Lock Flange Nut

Fig 6

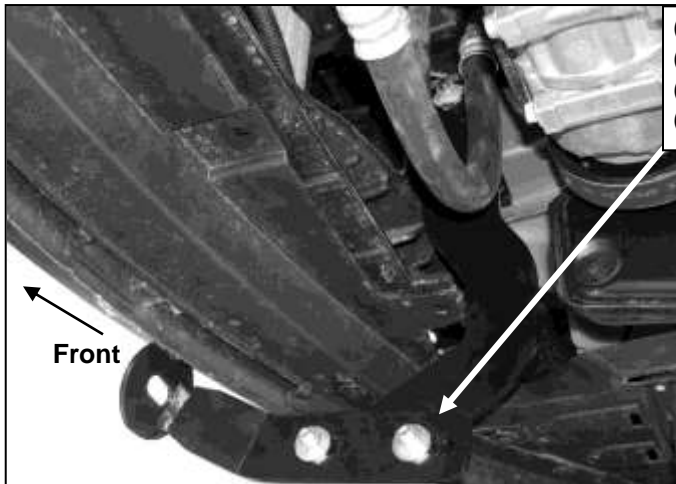


(Fig 7A) Top of passenger side Frame Bracket and Bolt Plate pictured from above



10mm Large Flat Washer
 10mm Lock Washer
 10mm Hex Nut

(Fig 7B) Bottom of passenger Frame Bracket attached to Large Bolt Plate pictured from below



- (2) 10mm x 30mm Hex Bolts
- (4) 10mm Large Flat Washers
- (2) 10mm Lock Washers
- (2) 10mm Hex Nuts

(Fig 8) Passenger side Frame Bracket and Tube Bracket

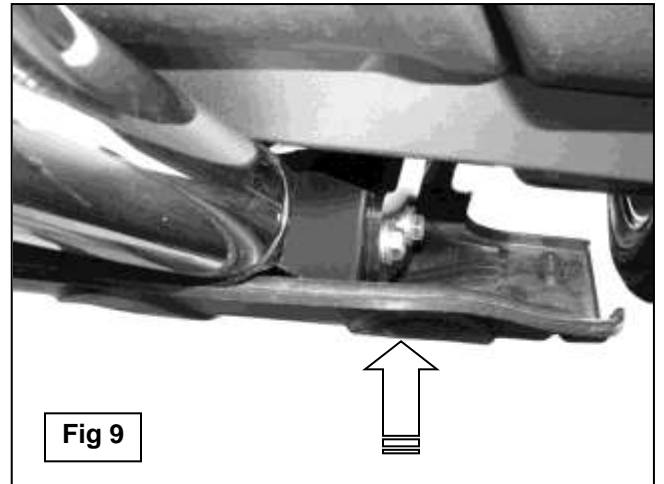


Fig 9

Hold the plastic splash guard up in position against the bottom of the Brackets. Mark the location of the Frame Brackets only onto the inside of the plastic cover. Remove the Sport Bar. Carefully use a sharp knife or hacksaw blade to cut the slots. **IMPORTANT: Do not cut the mounting points off of the cover**

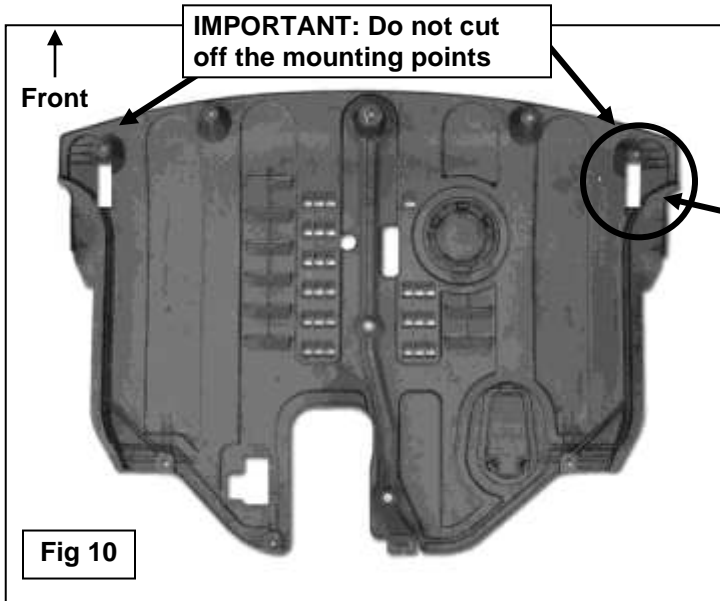


Fig 10

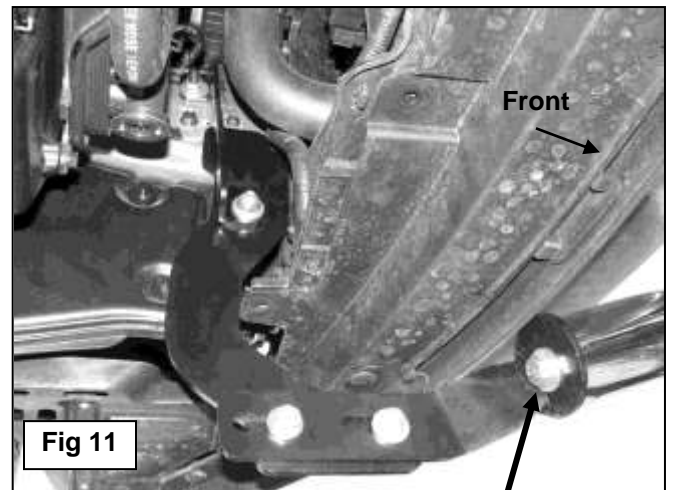


Fig 11

- 12mm x 50mm Hex Bolt
- 12mm Lock Washer
- 12mm Flat Washer



Complete Installation