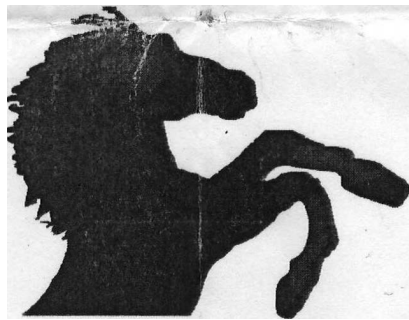


# **INSTALLATION INSTRUCTION**

**SS Bull Bar with Skid Plate**

**14-15 Acura MDX**

**PART # BB158107-SP**



**BLACK HORSE  
OFF ROAD**

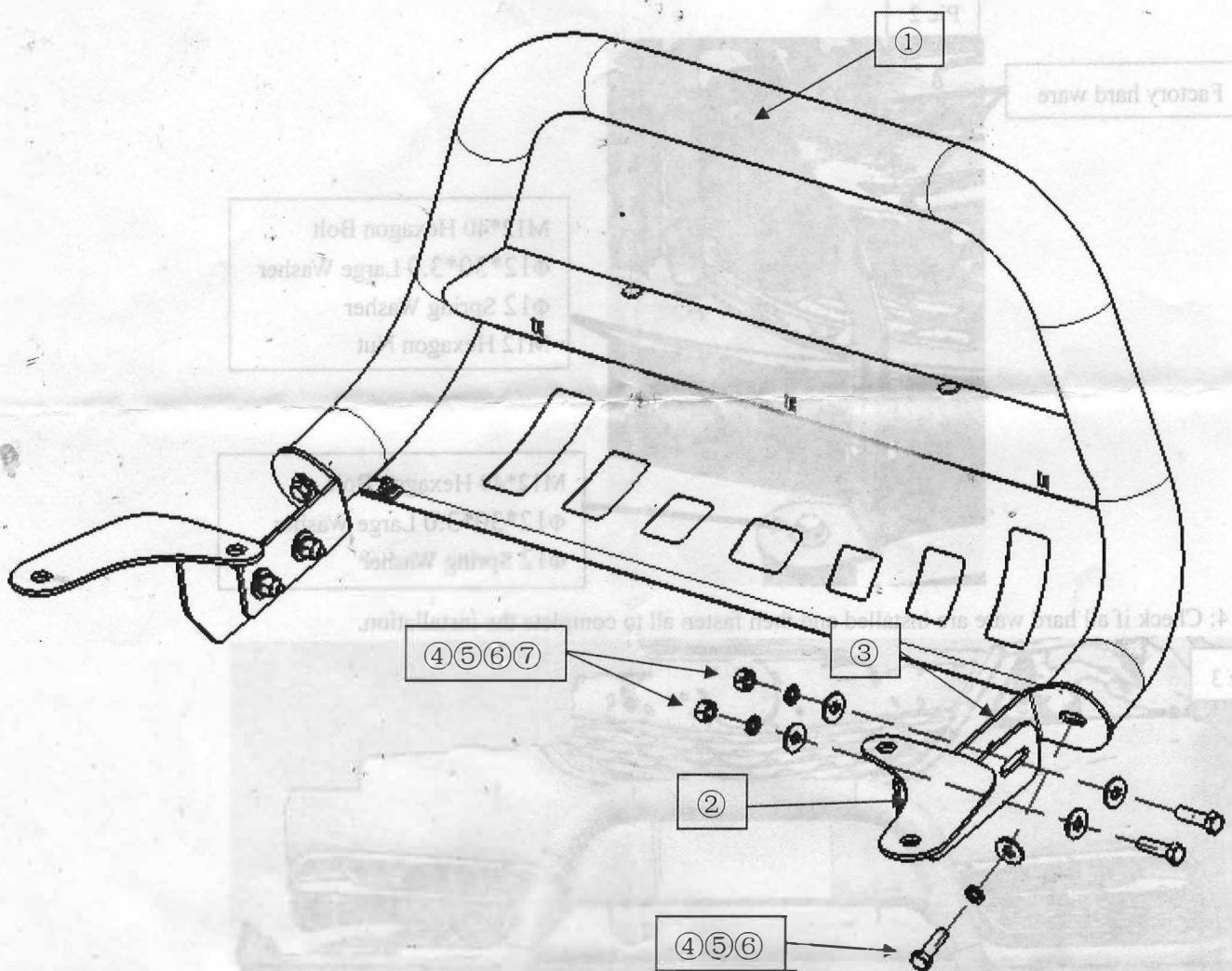
**Attention:**

- Please read this installation menu before installing this part. Protect your car properly in case there is any scratch might have.
- You may need to periodically to re-tighten all hardware for safety use after installation.
- Installation pictures are only for your reference, there might be some differences between pictures and real parts but no affect for your fitting.

**PART LIST**

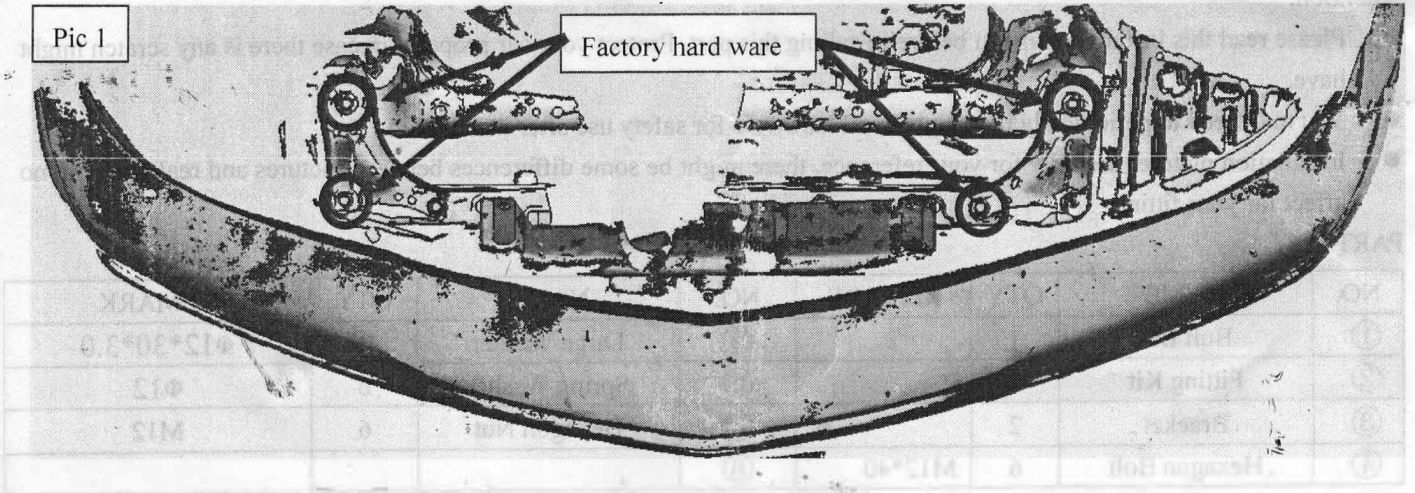
NO.	NAME	QTY	REMARK	NO.	NAME	QTY	REMARK
①	Bull Bar	1		⑤	Large Washer	10	Φ12*30*3.0
②	Fitting Kit	2		⑥	Spring Washer	6	Φ12
③	Bracket	2		⑦	Hexagon Nut	6	M12
④	Hexagon Bolt	6	M12*40	⑧			

**INSTALLATION PICTURE**

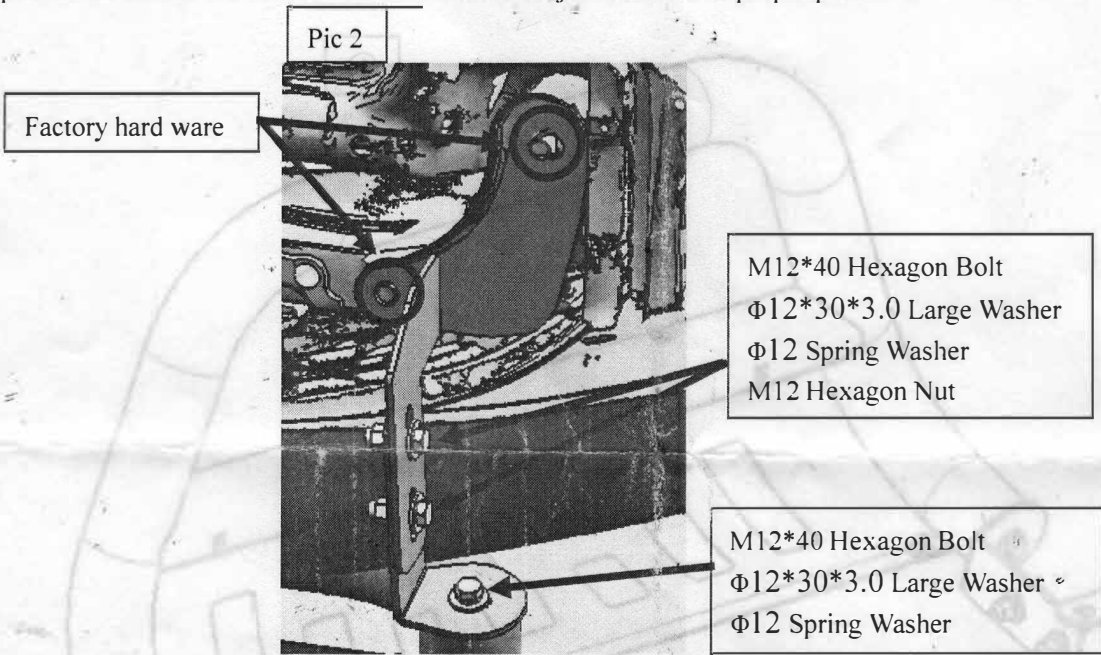


**INSTALLATION PROCEDURES**

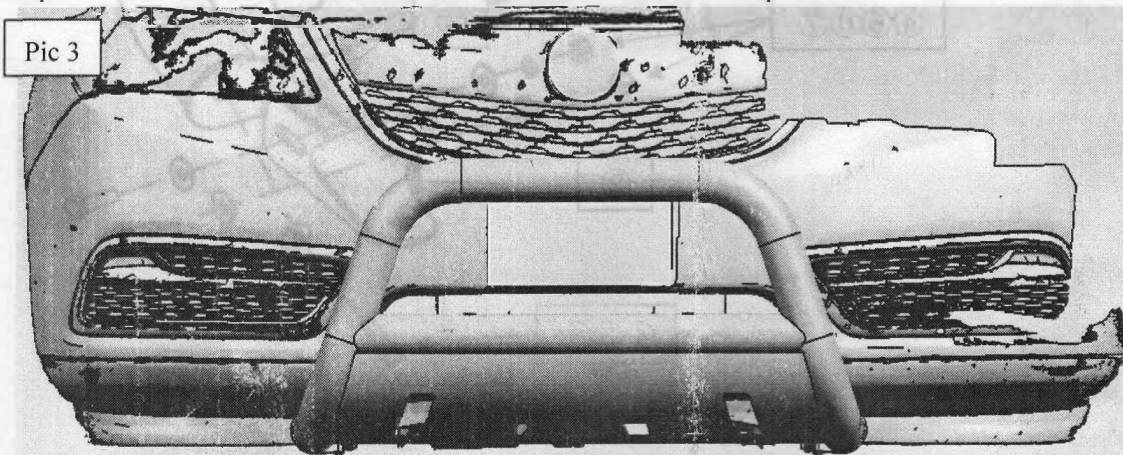
- Step 1: Refer to Part List to check if all hard ware are included.
- Step 2: Refer to the following picture to install the left and right brackets.



Step 3: Install the bull bar on the brackets and then adjust them to the proper positions.



Step 4: Check if all hard ware are installed and then fasten all to complete the installation.



Disclaimer: Caused due to improper installation initiates some related problem and losses, are beyond our company's quality assurance.