



INSTALLATION INSTRUCTIONS

**3" BULL BAR WITH SKID PLATE FOR
2017-2020 NISSAN TITAN
PART#BB11327A-SP/BB11327-SP**

PARTS LIST:

1	3" Bull Bar	4	12mm x 37mm x 3mm Flat Washers
1	Driver/Left Side Frame Mounting Bracket	4	12mm Lock Washers
1	Passenger/Right Side Frame Mounting Bracket	8	10-1.5mm x 30mm Hex Bolts
1	Driver/Left Side Bull Bar Bracket	4	10mm Lock Washers
1	Passenger/Right Side Bull Bar Bracket	12	10mm x 20mm x 2mm Flat Washers
4	12-1.25mm x 55mm Fine Thread Hex Bolts	4	10-1.5mm Nylon Lock Nuts



PROCEDURE:

REMOVE CONTENTS FROM BOX. VERIFY ALL PARTS ARE PRESENT. READ INSTRUCTIONS CAREFULLY BEFORE STARTING INSTALLATION. INSTALLATION MAY INTERFERE WITH FRONT PARKING SENSORS. ASSISTANCE IS RECOMMENDED.

It may be necessary to remove/relocate front license plate and license plate bracket. It is not required, but strongly recommended.

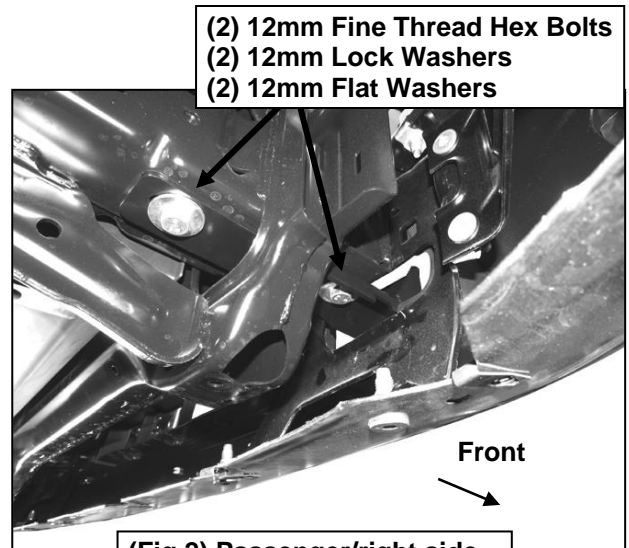
1. Start installation under the passenger side front of the vehicle. If vehicle is equipped with tow hooks, remove the (2) hex bolts attaching the tow hook to the bottom of the frame. On models without tow hooks, mounting holes may be filled with hex bolts. Remove hex bolts. **NOTE:** Tow hooks cannot be reinstalled with Bull Bar installation.
2. Select the passenger side Mounting Bracket. Slide the Bracket in through the tow hook plastic cover opening and line up the Bracket with the (2) mounting holes, **(Figure 1)**. Attach the Bracket to the frame with (2) 12mm **Fine Thread** Hex Bolts, (2) 12mm Lock Washers and (2) 12mm Flat Washers, **(Figure 2)**. **VERY IMPORTANT:** Use only the provided **12-1.25mm x 55mm Fine Thread Hex Bolts** to bolt the Brackets to the vehicle or damage to the frame may result. Do not tighten hardware at this time.
3. Select the passenger side Bull Bar Bracket, **(Figure 3)**. Attach the Bull Bar Bracket to the Mounting Bracket using (2) 10mm Hex Bolts, (2) 10mm Lock Washers and (2) 10mm Flat Washers, **(Figure 4)**. Snug but do not tighten hardware at this time.
4. Repeat **Steps 1—3** for driver side Mounting Bracket and Bull Bar Bracket installation.
5. With assistance, position the Bull Bar onto the outside of the Bull Bar Brackets. Attach the Bull Bar to the Bull Bar Brackets with (4) 10mm Hex Bolts, (8) 10mm Flat Washers and (4) 10mm Nylon Lock Nuts, **(Figure 5)**. Do not tighten at this time.
6. Level and adjust the Bull Bar and fully tighten all hardware.
7. Do periodic inspections to the installation to make sure that all hardware is secure and tight.

To protect your investment, wax this product after installing. Regular waxing is recommended to add a protective layer over the finish. Do not use any type of polish or wax that may contain abrasives that could damage the finish. Mild soap may be used to clean the Bull Bar.

Passenger/Right Side Installation Pictured

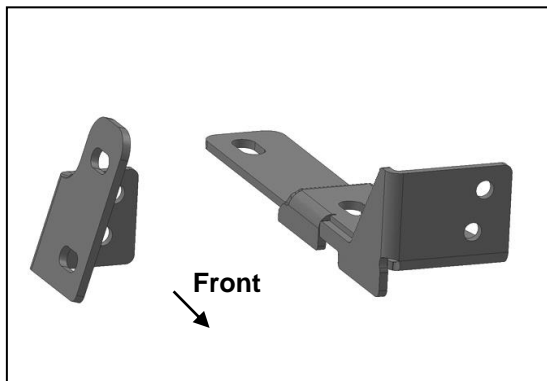


(Fig 1) Passenger side Mounting Bracket inserted through cover



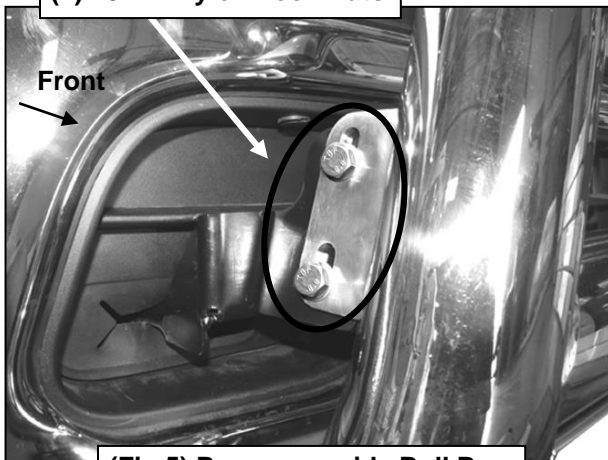
- (2) 12mm Fine Thread Hex Bolts
- (2) 12mm Lock Washers
- (2) 12mm Flat Washers

(Fig 2) Passenger/right side Mounting Bracket installed



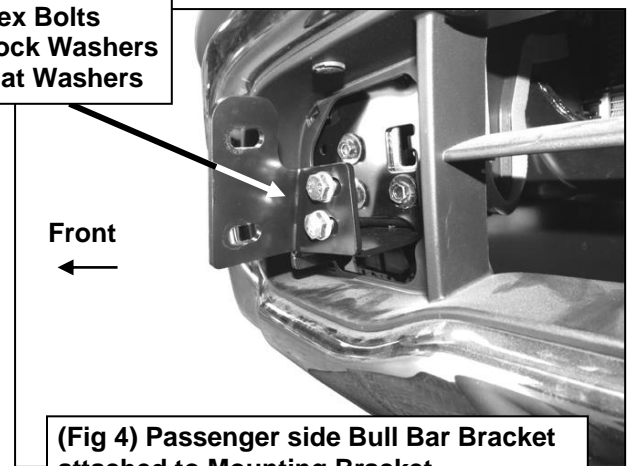
(Fig 3) Passenger side Mounting Bracket and Bull Bar Bracket illustrated

- (2) 10mm Hex Bolts
- (4) 10mm Flat Washers
- (2) 10mm Nylon Lock Nuts



(Fig 5) Passenger side Bull Bar Bracket attached to Bull Bar

- (2) 10mm Hex Bolts
- (2) 10mm Lock Washers
- (2) 10mm Flat Washers



(Fig 4) Passenger side Bull Bar Bracket attached to Mounting Bracket



Complete Installation