



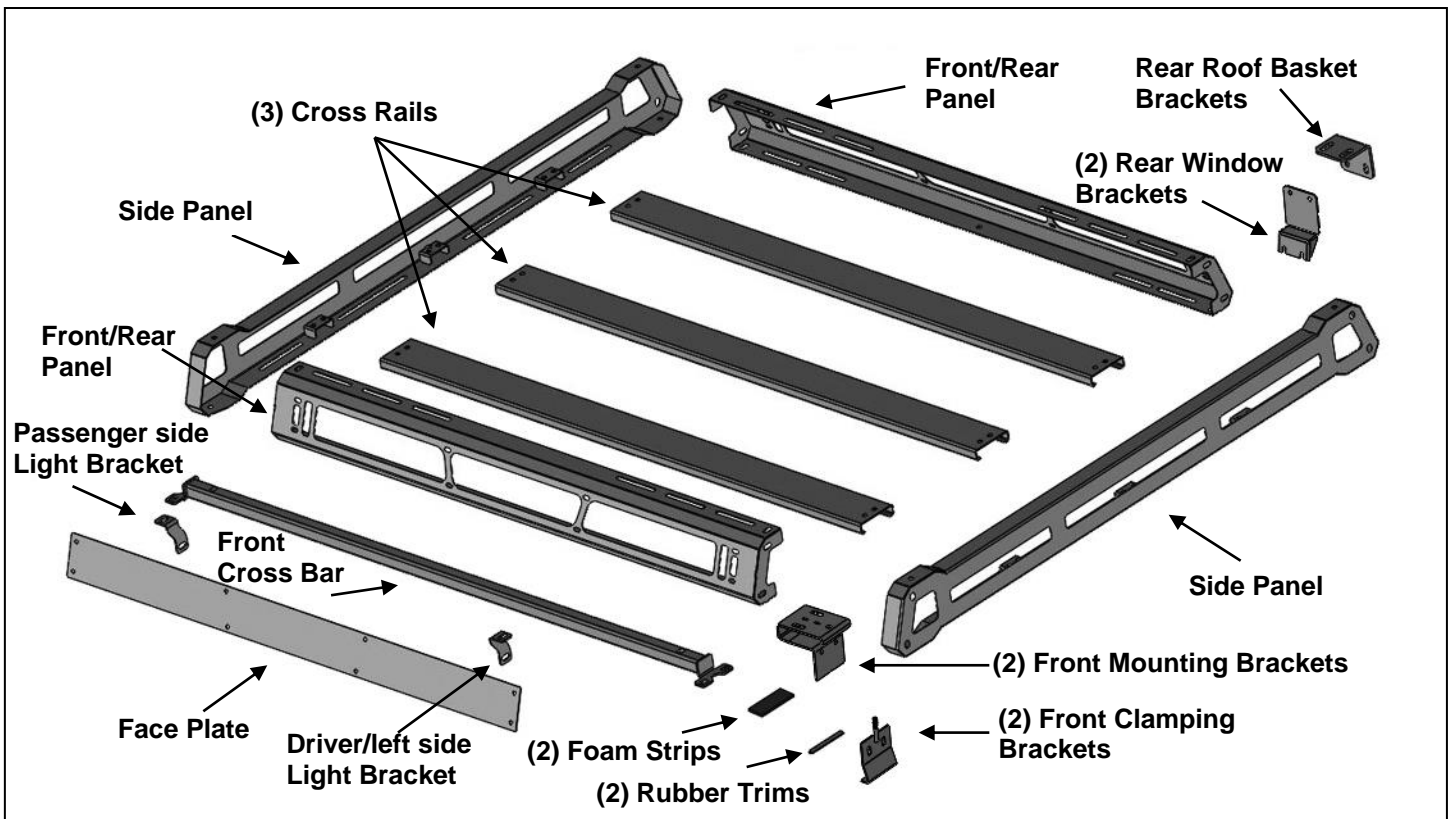
# **INSTALLATION INSTRUCTIONS**

**ROOF BASKET FOR  
18-20 JEEP WRANGLER JL 4 & 2 DOOR WITH HARD TOP  
PART#BA-JL01**

**PARTS LIST:**

2	Front or Rear Panels	12	8-1.25mm x 25mm Hex Bolts
2	Side Panels (Use for left or right side)	30	8-1.25mm x 25mm Button Head Bolts
1	Face Plate	4	8-1.25mm x 25mm Combo Bolts
3	Cross Rails	2	8-1.25mm x 16mm Button Head Bolts
1	Front Cross Bar	78	8mm x 24mm x 2mm Flat Washers
2	Front Mounting Brackets	2	8mm x 16mm x 1.5mm Flat Washers
2	Front Clamping Brackets	32	8mm Lock Washers
2	Foam Strips (Use with Mounting Brackets)	18	8-1.25mm Hex Nuts
2	Rubber Trims (Use with Clamping Brackets)	16	8mm Nylon Lock Nuts
2	Rear Roof Basket Brackets	8	6-1.00 x 20mm Button Head Combo Bolts
2	Rear Window Brackets	8	6mm x 18mm x 1.6mm Flat Washers
1	Driver/Left Side LED Light Bracket	8	6-1.00mm Hex Nuts
1	Passenger/Right Side LED Light Bracket	1	5mm Allen Wrench (8mm)
2	8-1.25mm x 50mm Hex Bolts	1	4mm Allen Wrench (6mm)

**CAUTION: Recommended load rate is 150 lbs. for Basket only, too much weight will greatly reduce the stability of the vehicle and increase the vehicle's tendency to overturn or damage roof. The manufacturer makes no representation or warranty as to the amount of weight that the vehicle can safely carry. For guidance, we recommend that you consult the vehicle manufacturer. Secure all payloads properly for safe transportation.**



**PROCEDURE: REMOVE CONTENTS FROM BOX. VERIFY ALL PARTS ARE PRESENT. READ INSTRUCTIONS CAREFULLY BEFORE STARTING INSTALLATION. ASSISTANCE RECOMMENDED.**

1. Place (1) Side Panel and (1) Front/Rear Panel on a stable, clean flat surface. Slide the end of the Front/Rear Panel into the end of the Side Panel. Attach the Side Panel to the Front/Rear Panel using (4)

8mm x 25mm Button Head Bolts, (8) 8mm x 24mm Flat Washers, (4) 8mm Lock Washers and (4) 8mm Hex Nuts, **(Figure 1)**. Do not tighten hardware at this time.

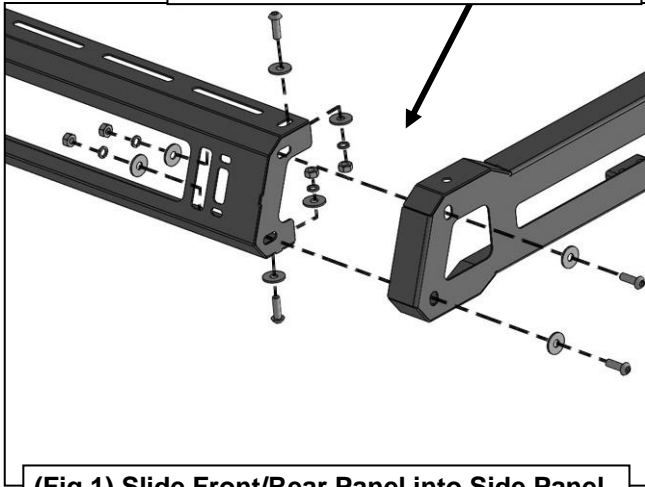
2. Move to the other end of the Front/Rear Panel. Select the remaining Side Panel and repeat **Step 1** to attach the Panels, **(Figure 1)**.
3. Next, select the remaining Front/Rear Panel. Repeat **Step 1** to attach the Panel to each Side Panel, **(Figure 1)**.
4. Select (1) Cross Rail. Locate the (3) mounts on each Side Panel. Attach the Cross Rail to the mounts using (4) 8mm x 25mm Button Head Bolts, (4) 8mm Lock Washers and (4) 8mm x 24mm Flat washers, **(Figure 2)**. Leave hardware loose.
5. Repeat **Step 4** to attach the remaining (2) Cross Rails to the mounts on the Side Panels.
6. After assembling the Roof Basket, level and fully tighten the Side Panels to the Front/Rear Panel hardware only at this time. Make sure the Roof Basket is squared before tightening.
7. Select the Face Plate, (Optional). Attach the Face Plate to the Front Panel using (8) 6mm Button Head Combo Bolts, (8) 6mm Flat Washers and (8) 6mm Hex Nuts, **(Figure 3)**. Fully tighten hardware.
8. Select the Front Crossbar. Align the (2) holes on the Front Crossbar to the long slots, (between the Face Plate and Cross Rail), on the Side Panels. Use (2) 8mm x 50mm Hex Bolts, (4) 8mm x 24mm Flat Washers, (2) 8mm Lock Washers and (2) 8mm Hex Nuts to attach the Crossbar to the Side Panel, **(Figure 4)**. Leave hardware loose. **NOTE:** Attach the Crossbar closer to the rear of the slot.
9. **LED Light Installation, (LED Light not included):**
  - a. Select the driver side Light Bracket. Attach the Bracket to the Front Panel with (1) 8mm x 25mm Button Head Bolt, (2) 8mm x 24mm Flat Washers and (1) 8mm Nylon Lock Nut, **(Figure 5)**.
  - b. Repeat **Step 9a** to install passenger side Light Bracket.
  - c. Attach the LED Light to the Brackets using (2) 8mm x 16mm Button Head Bolts, (2) 8mm Lock Washers and (2) 8mm x 16mm Flat Washers, **(Figure 5)**.
  - d. Follow the light manufacturer's instructions to properly attach and wire the LED light.
  - e. Level and adjust the LED Light to the Brackets and fully tighten hardware.
10. Open the rear window on the vehicle. With assistance, loosen the (4) factory bolts, 2 per side, on the rear window hinges, **(Figure 6)**. **NOTE:** Assistance is highly recommended to avoid possible injury and/or damage to vehicle. Starting on the passenger side of the rear window, completely remove the (2) factory bolts, **(Figure 6)**. Select (1) Rear Window Bracket. From above, slide the Bracket over the plastic cover on the rear window hinge, **(Figure 7)**. Reuse (2) factory bolts to secure Bracket in place. Repeat this Step to install (1) Rear Window Bracket on the driver/left side.
11. Select (1) Rear Roof Basket Bracket, **(Figure 8)**. Attach the Bracket to the front facing side of the Rear Window Bracket using (2) 8mm x 25mm Hex Bolts, (4) 8mm x 24mm Flat Washers and (2) 8mm Nylon Lock Nuts, **(Figures 8 & 9)**. Snug but do not tighten hardware. Repeat this Step for Rear Roof Basket Bracket installation on the driver/left side.
12. Open the driver/left side door. On models with 4 doors open the driver/left rear side door. Locate the rain gutter along the top of the door. Attach (1) Rubber Trim to the bottom of (1) Clamping Bracket, **(Figure 10)**. Next, select (1) Mounting Bracket. Apply (1) Foam Strip to the bottom of the Mounting Bracket to protect the roof from damage. Slide the Mounting Bracket over the welded bolt on the Clamping Bracket, **(Figure 10)**. Secure the Mounting Bracket to the welded bolt with (1) 8mm x 24mm Flat Washer and (1) 8mm Nylon Lock Nut, **(Figure 10)**. Leave hardware loose.
13. Wrap the Brackets around the rain gutter, **(Figures 10—13)**. Make sure the Mounting Bracket fits snug inside the rain gutter. **IMPORTANT:** On models with 4 doors, position the Brackets approximately 3" towards the front from the end of the rear door. For models with 2 doors, position the Brackets behind the rear door, (at the start of the rear Hard Top Piece). Use (2) 8mm x 25mm Combo Bolts to secure the Clamping Bracket to the Mounting Bracket, **(Figures 10—13)**. Do not tighten hardware.
14. Repeat **Steps 12 & 13** for passenger/right side installation of the front Brackets.
15. With assistance, place the assembled Roof Basket on top of the Brackets. Attach the Rear Brackets to the Roof Basket with (4) 8mm x 25mm Hex Bolts, (8) 8mm x 24mm Flat Washers and (4) 8mm Nylon Lock Nuts, **(Figures 14 & 15)**. Leave hardware loose at this time.
16. Attach the Front Mounting Brackets to the mounting tabs on the Front Cross Bar using (4) 8mm x 25mm Hex Bolts, (8) 8mm x 24mm Flat Washers and (4) 8mm Nylon Lock Nuts, **(Figures 16 & 17)**. Do not

fully tighten hardware. **NOTE:** Adjust the Crossbar along the slot on the Side Panel forwards or back to line up with Brackets, if necessary.

17. Level and center the Roof Basket to the vehicle and tighten all hardware at this time.
18. Do periodic inspections to the installation to make sure that all hardware is secure and tight.

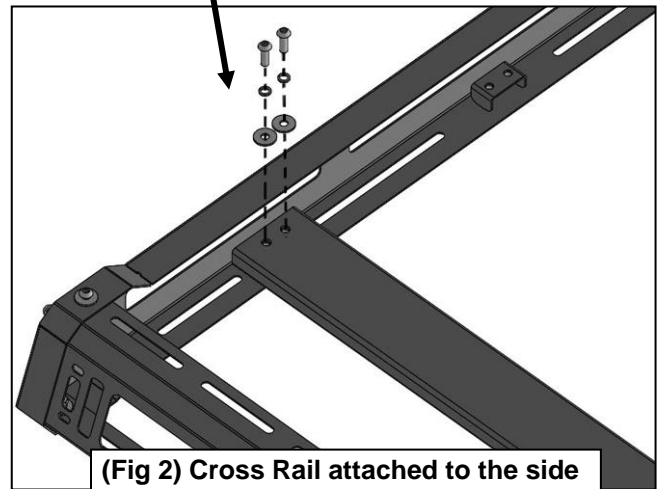
**To protect your investment**, wax this product after installing. Regular waxing is recommended to add a protective layer over the finish. Do not use any type of polish or wax that may contain abrasives that could damage the finish. Mild soap may be used to clean the Roof Basket.

- (4) 8mm x 25mm Button Head Bolts
- (8) 8mm x 24mm Flat Washers
- (4) 8mm Lock Washers
- (4) 8mm Hex Nuts



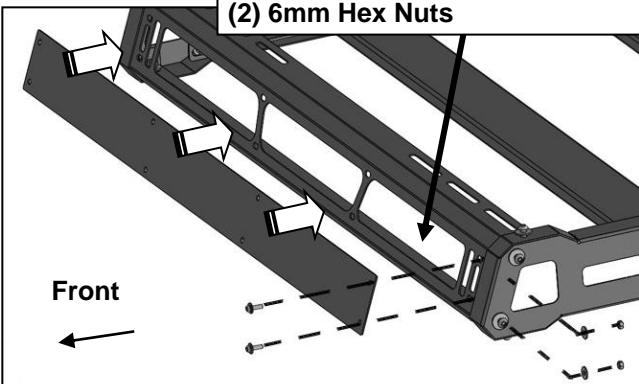
(Fig 1) Slide Front/Rear Panel into Side Panel

- (2) 8mm x 25mm Button Head Bolts
- (2) 8mm Lock Washers
- (2) 8mm x 24mm Flat Washers



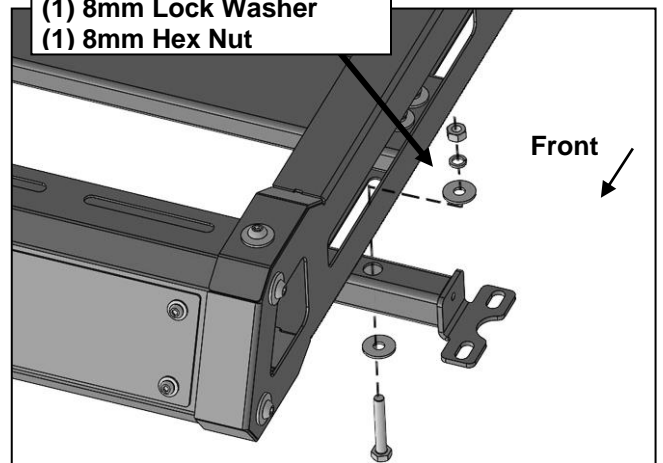
(Fig 2) Cross Rail attached to the side mount of the Side Panel illustrated

- (2) 6mm Button Head Combo Bolts
- (2) 6mm Flat Washers
- (2) 6mm Hex Nuts



(Fig 3) Attach the Face Plate to the Front Panel

- (1) 8mm x 50mm Hex Bolt
- (2) 8mm Flat Washers
- (1) 8mm Lock Washer
- (1) 8mm Hex Nut



(Fig 4) Crossbar attached to the Side Panel

- (1) 8mm x 25mm Button Head Bolt
- (2) 8mm x 24mm Flat Washers
- (1) 8mm Nylon Lock Nuts

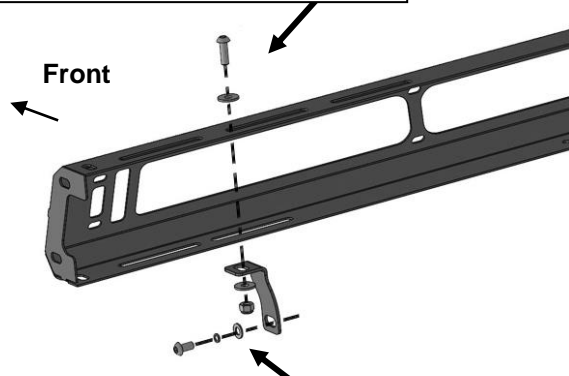
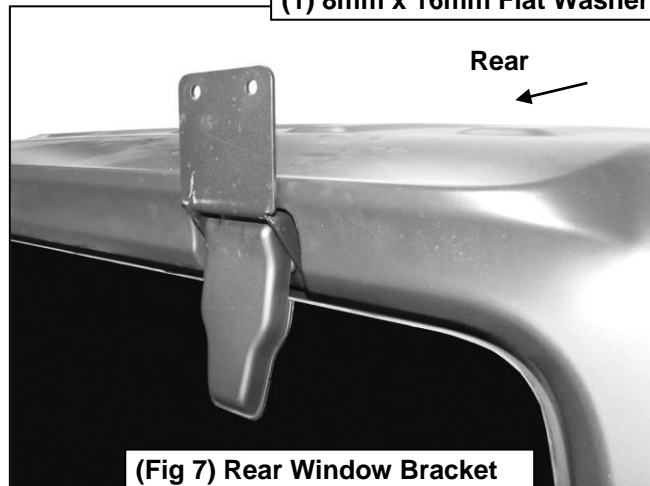
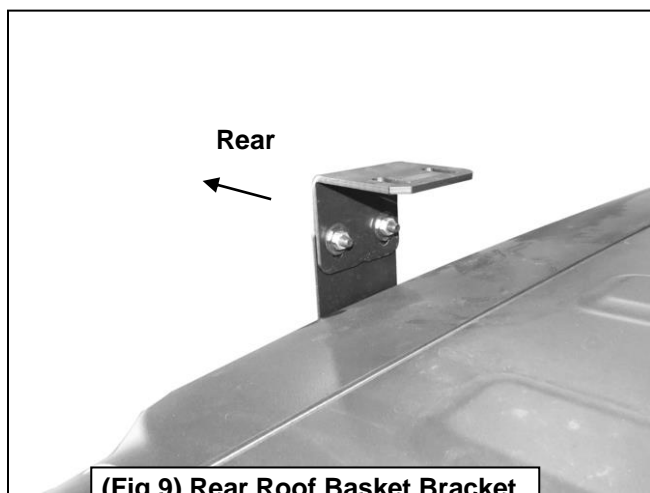


Fig 5

- (1) 8mm x 16mm Button Head Bolt
- (1) 8mm Lock Washer
- (1) 8mm x 16mm Flat Washer

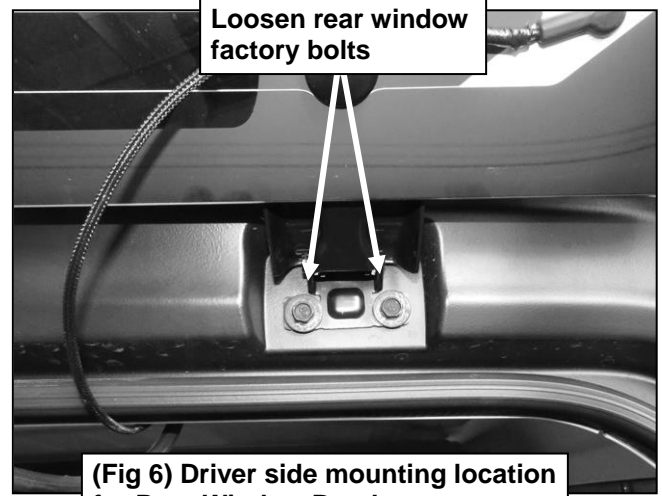


(Fig 7) Rear Window Bracket installed on passenger side



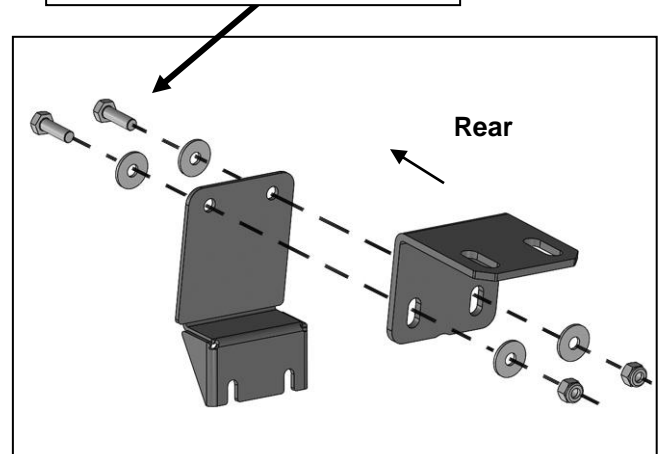
(Fig 9) Rear Roof Basket Bracket installed on driver side

Loosen rear window factory bolts



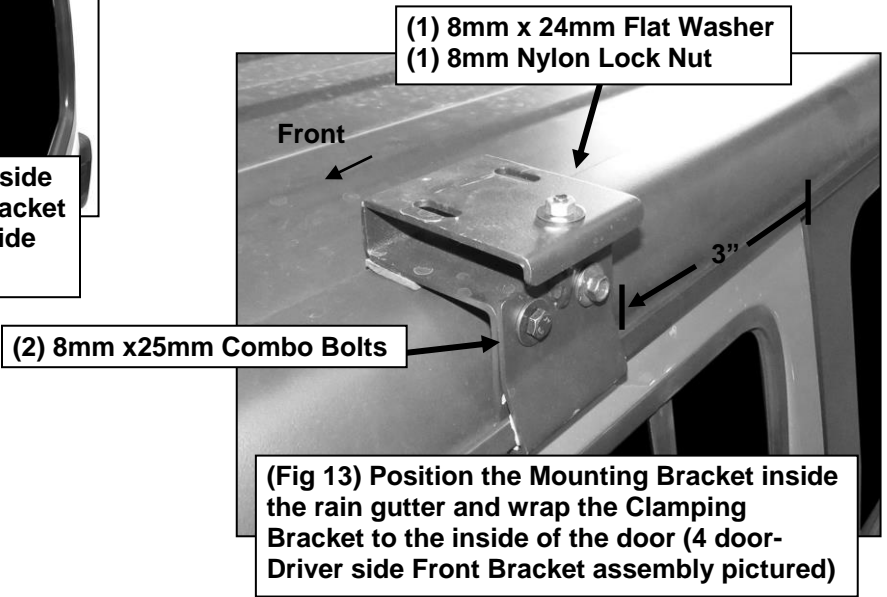
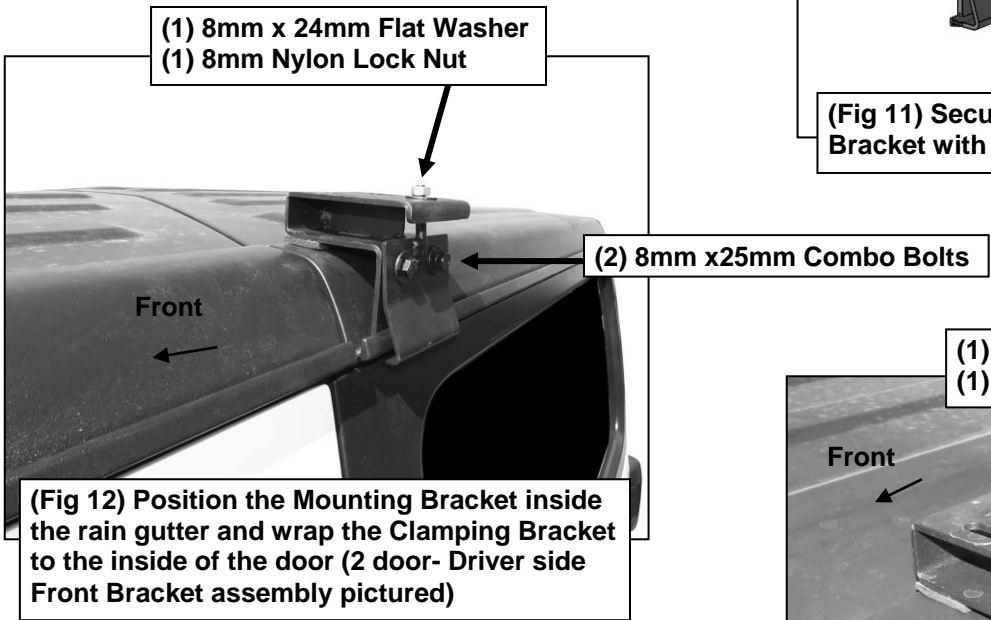
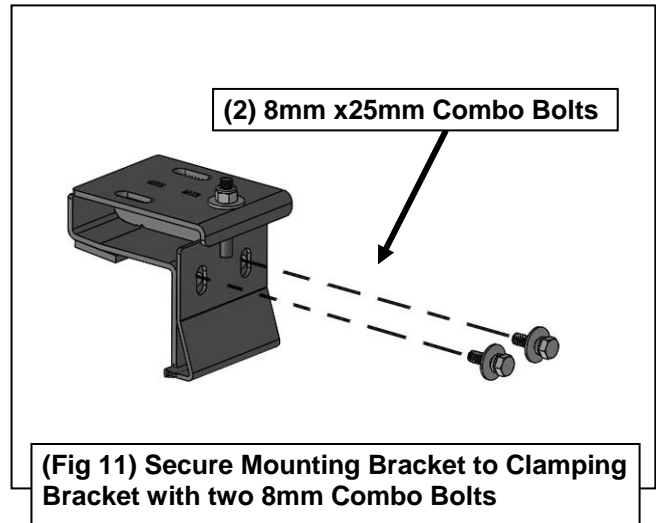
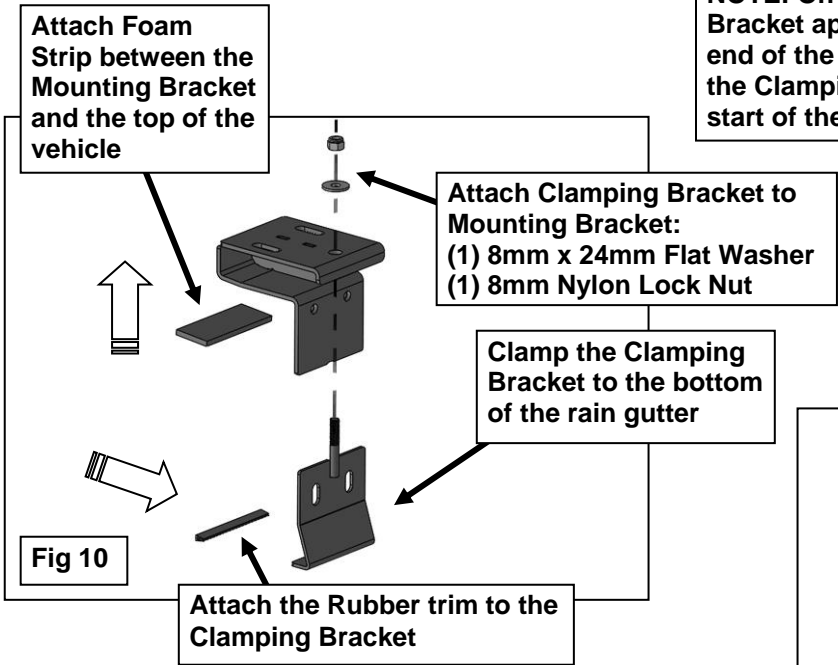
(Fig 6) Driver side mounting location for Rear Window Bracket

- (2) 8mm x 25mm Hex Bolts
- (4) 8mm x 24mm Flat Washers
- (2) 8mm Nylon Lock Nuts

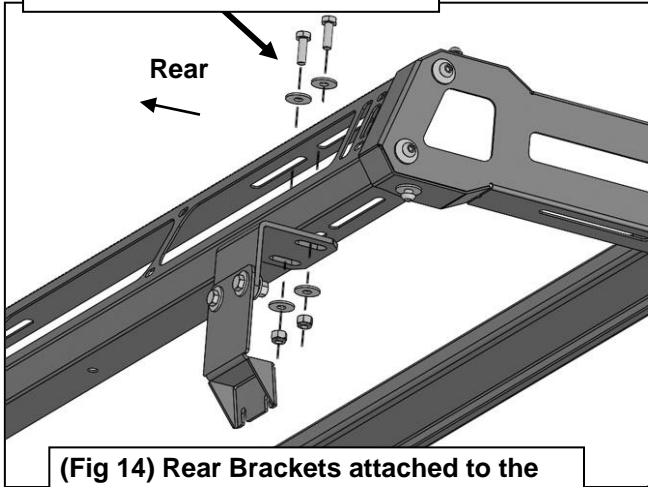


(Fig 8) Rear Roof Basket Bracket attached to Rear Window Bracket illustrated

**NOTE:** On models with 4 doors, position the Clamping Bracket approximately 3" towards the front from the end of the rear door. For models with 2 doors, position the Clamping Bracket behind the rear door, (at the start of the rear Hard Top Piece).

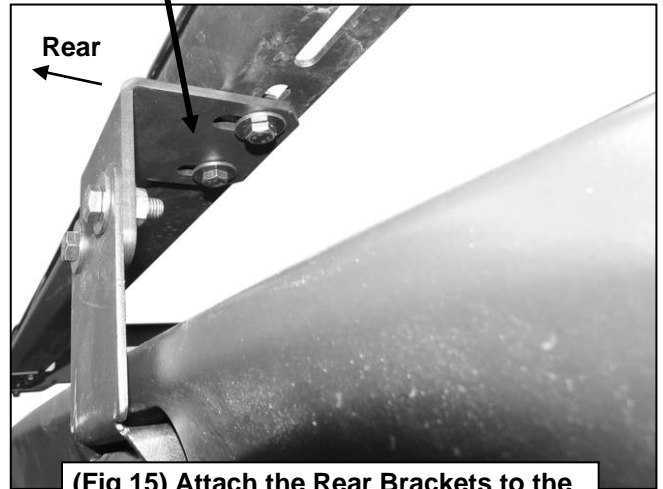


- (2) 8mm x 25mm Hex Bolts
- (4) 8mm x 24mm Flat Washers
- (2) 8mm Nylon Lock Nuts



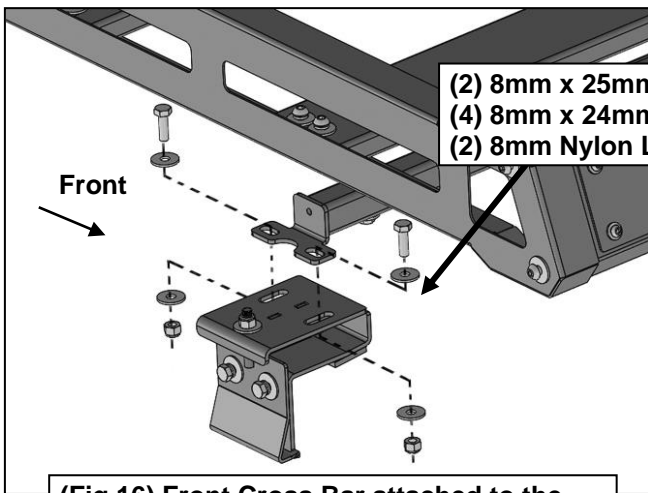
(Fig 14) Rear Brackets attached to the Roof Basket (passenger side illustrated)

- (2) 8mm x 25mm Hex Bolts
- (4) 8mm x 24mm Flat Washers
- (2) 8mm Nylon Lock Nuts



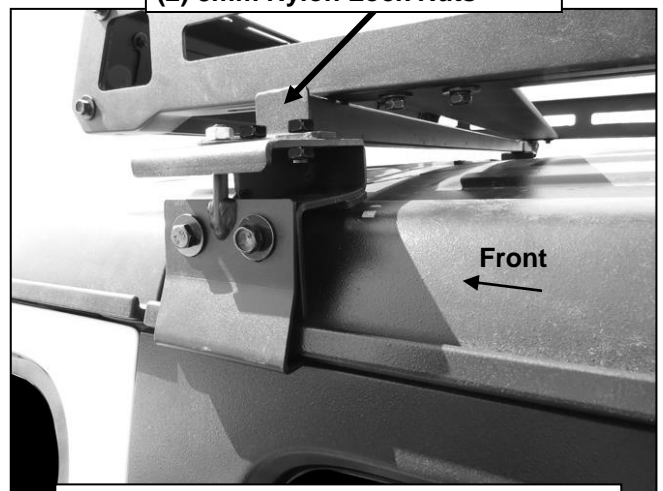
(Fig 15) Attach the Rear Brackets to the Roof Basket (passenger side pictured)

- (2) 8mm x 25mm Hex Bolts
- (4) 8mm x 24mm Flat Washers
- (2) 8mm Nylon Lock Nuts



(Fig 16) Front Cross Bar attached to the Front Brackets (passenger side illustrated)

- (2) 8mm x 25mm Hex Bolts
- (4) 8mm x 24mm Flat Washers
- (2) 8mm Nylon Lock Nuts



(Fig 17) Attach the Front Cross Bar to the Front Brackets (driver/left side pictured)