

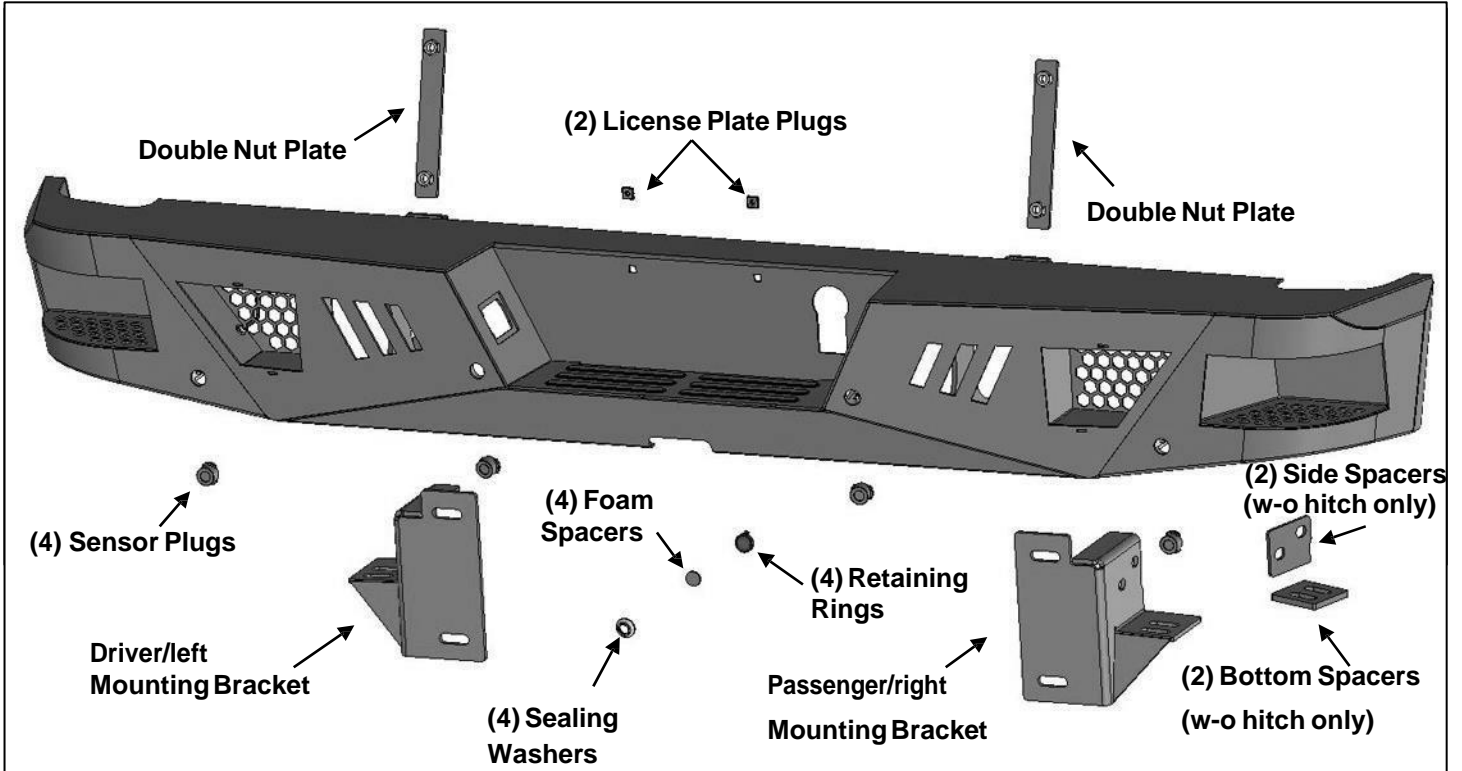
# INSTALLATION INSTRUCTIONS

LD1 REAR BUMPER FOR  
16-18 NISSAN TITAN XD  
PART#ARB-NITI

**LD1 REAR BUMPER  
2016-18 TITAN "XD"**

**PARTS LIST:**

1	LD1 Rear Bumper Assembly	4	12mm Lock Washers
1	Driver/Left Bracket	8	4mm x 10mm Button Head Bolts
1	Passenger/Right Bracket	1	4mm Wrench
2	Side Spacer Plates (w-o hitch only)	1	2.5mm Wrench
2	Bottom Spacer Plates (w-o hitch only)	4	Sealing Washers
2	Plastic Plugs for license plate mount	4	20mm x 2mm Foam Spacers
4	Sensor Hole Plugs	4	Retaining Rings
2	12mm Double Nut Plates	1	Sensor Covers Kit
4	12-1.75mm x 40mm Hex Bolts	10	Nylon Cable Ties 200mm
4	12mm x 37mm x 3mm Flat Washers		



**PROCEDURE:**

**REMOVE CONTENTS FROM BOX. VERIFY ALL PARTS ARE PRESENT. READ INSTRUCTIONS CAREFULLY BEFORE STARTING INSTALLATION. BUMPER IS HEAVY, ASSISTANCE IS HIGHLY RECOMMENDED TO AVOID POSSIBLE INJURY OR DAMAGE TO THE VEHICLE. BLIND SPOT WARNING SENSORS IN SIDES OF REAR BUMPER MUST BE REMOVED AND CANNOT BE REINSTALLED.**

1. Start installation by unplugging the license plate lights, towing harness plug and sensors if equipped, **(Figure 1)**. Move the wiring harness away from the bumper. Remove the license plate, license plate lights and towing harness plug from the bumper, **(Figure 2)**.
2. Place blocks or jack stands under the bumper to support it during bumper bolt removal. From under the bumper, release the clips attaching the top cover to the bumper, **(Figure 3)**. Remove the plastic cover from the top of the bumper.
3. Next, remove the factory Torx head bumper bolts from the bottom of the bumper, **(Figure 1)**. Remove the top mounting bolts attaching the bumper to the top of the hitch if equipped or inner bumper reinforcement and slide the bumper off of the end of the frame, **(Figures 4 & 5)**. **WARNING!** Assistance is required to hold the bumper in place during hardware removal and to prevent the bumper from falling. **NOTE:** If preferred, bumper and hitch or reinforcement can all be removed as an assembly then separated off the vehicle.
4. Select the passenger/right Frame Bracket. Determine correct installation for your vehicle.

**Models without factory receiver hitch**

- a. Remove the bumper reinforcement from the ends of the frame.
- b. Hold the Passenger/right Mounting Bracket up to the bottom of the frame. Slide (1) Bottom Spacer Plate between the Bracket and the bottom of the frame, **(Figure 6)**. Reuse the (2) factory bolts to attach the Bracket and Spacer to the bottom of the frame, **(Figures 6 & 7)**. Leave hardware loose.
- c. Select (1) Side Spacer Plate. Insert the Side Spacer Plate between the tab on the side of the Bracket and the frame. Orient the Spacer to match the radius cut out of the side of the Bracket, **(Figures 6 & 7)**. Reuse the factory bolts to attach the Bracket and Spacer to the side of the frame. Snug but do not fully tighten hardware at this time.
- d. Repeat the above Steps to install the driver/left Mounting Bracket.

**Models with factory receiver hitch**

- a. Hold the Passenger/right Mounting Bracket up to the bottom of the frame. Reuse the (4) factory bolts to attach the Bracket to the bottom and the side of the frame, **(Figures 6 & 8)**. Snug but do not fully tighten hardware at this time. **NOTE:** Spacers are not required on models with factory receiver hitch.
  - b. Repeat the previous Step to attach the driver/left Mounting Bracket.
5. **NOTE:** LD1 Bumper has mounting locations for auxiliary back up or flood light installation. If installing lights at this time, check for clearance around light. If additional clearance around light is required, remove the back screens from the light housings before the Bumper is installed, **(Figure 9)**.
6. Determine if the Bumper is equipped with back up sensors.

**Models without bumper mounted sensors:**

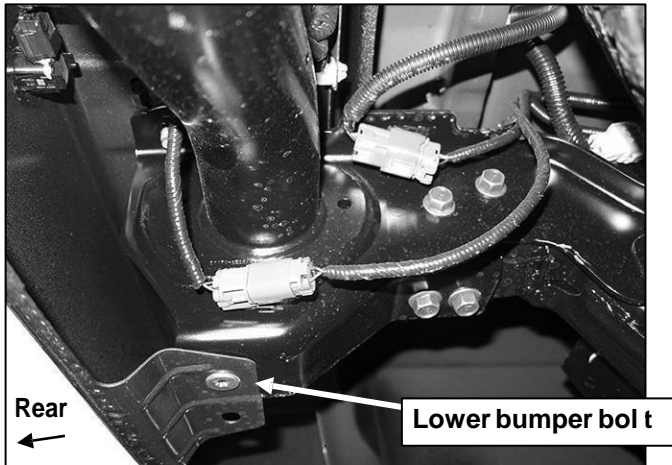
- a. Push the (4) sensor plugs into the sensor sleeves from the back of the bumper.

**Models with bumper mounted sensors:**

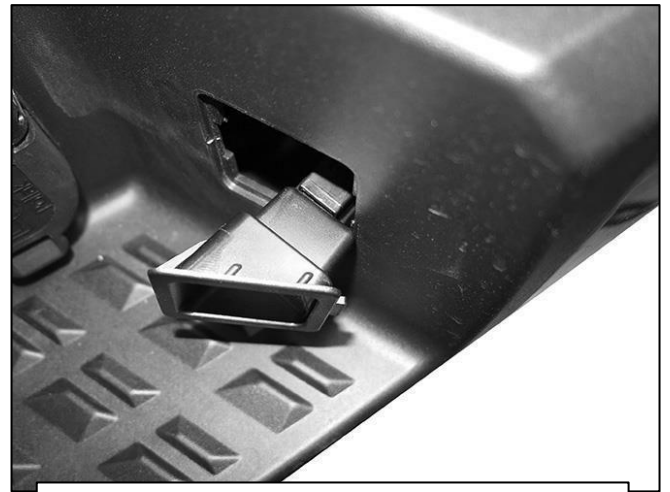
- a. Remove the sensors from the factory bumper.
  - b. Remove the factory sealing washer from the sensor. Attach the provided Sealing Washer onto the front of the sensor.
  - c. Push the sensor in from the back of the Bumper until it is flush with the sensor sleeve. **NOTE:** Sensor tabs may need to be trimmed to fit sensor inside the sensor sleeve.
  - d. Attach the adhesive side of (1) Foam Spacer onto (1) Retaining Ring. Push the Retaining Ring into the sensor sleeve to secure the sensor in place, **(Figure 10)**.
  - e. Repeat the previous steps for the remaining sensors.
7. With assistance, position the LD1 Bumper up to the bumper brackets on the ends of the frame, **(Figure 11)**. Temporarily support the weight of the Bumper Assembly. **WARNING:** To avoid possible injury or damage to the vehicle, do not proceed until the Bumper is safely supported.
8. Line up the (2) mounting holes in the back of the passenger/right side of the bumper with the Mounting Bracket. Slide (1) 12mm Double Nut Plate into place behind the mounting plate on the Bumper, **(Figure 11)**. Attach the Bumper to the Double Nut Plate with (2) 12mm Hex Bolts, (2) 12mm Lock Washers and (2) 12mm Flat Washers, **(Figures 12 & 13)**. Leave hardware loose at this time. Repeat to attach the driver/left side of the Bumper to the Bracket.
9. Slowly open the tail gate and check for clearance. Level and adjust the LD1 Bumper and tighten all hardware.
10. Snap the towing harness plug and license plate lights into the openings in the LD1 Bumper, **(Figure 14)**. If necessary, use a flat blade screwdriver to carefully pry the lock tab on the clip out to help lock the plug into place.
11. Connect the wiring harness to the license plate lights, trailer plug and back up sensors, (if equipped). Use the included Wire Ties to secure the wiring harness to the bumper and frame. Seal off any open unused wire connectors.
12. Insert the included (2) push-in plugs to attach the license plate to the Bumper, **(Figure 14)**.
13. Do periodic inspections to the installation to make sure that all hardware is secure and tight.

**To protect your investment**, wax this product after installing. Regular waxing is recommended to add a protective layer over the finish. Do not use any type of polish or wax that may contain abrasives that could damage the finish. Mild soap may be used to clean the LD1 Bumper assembly.

LD1 REAR BUMPER 2016-18 TITAN "XD"  
Passenger side installation pictured



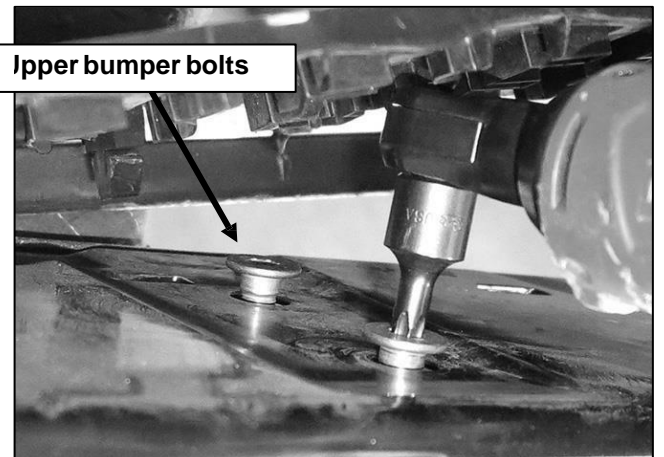
(Fig 1) Unplug wiring harness (driver side pictured)



(Fig 2) Unplug license plate lights and trailer connector. Remove lights and connector



(Fig 3) Release clips attaching top cover



(Fig 4) Remove upper bumper bolts (also see Figure 1 for lower bolt) and remove bumper assembly

**WARNING!** Do not remove bumper bolts unless the bumper is properly supported on blocks or stands or the bumper may fall.

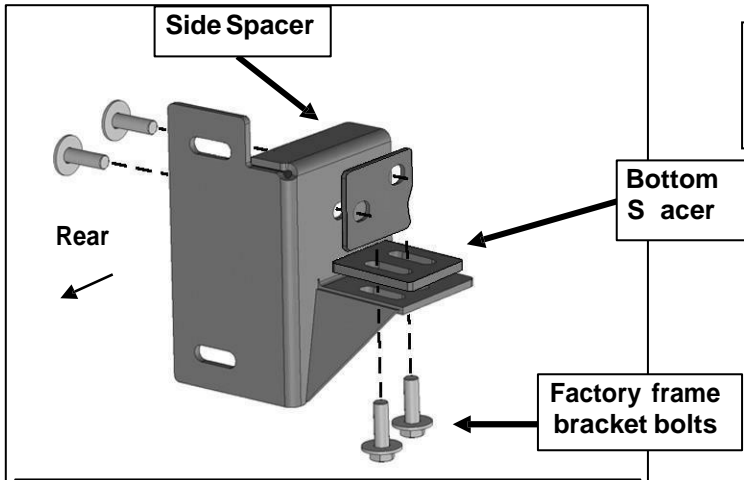
**LD1 REAR BUMPER 2016-18 TITAN "XD"**  
**Passenger side installation pictured**



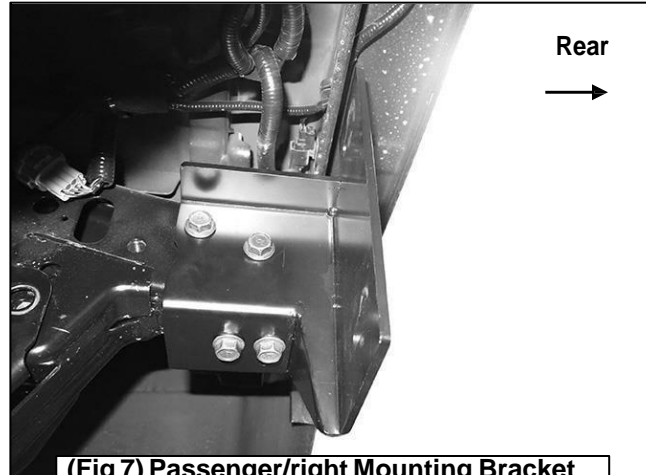
**(Fig 5) Bumper completely removed,  
model without receiver hitch pictured**

**LD1 REAR BUMPER 2016-18 TITAN "XD"**  
**Passenger side installation pictured**

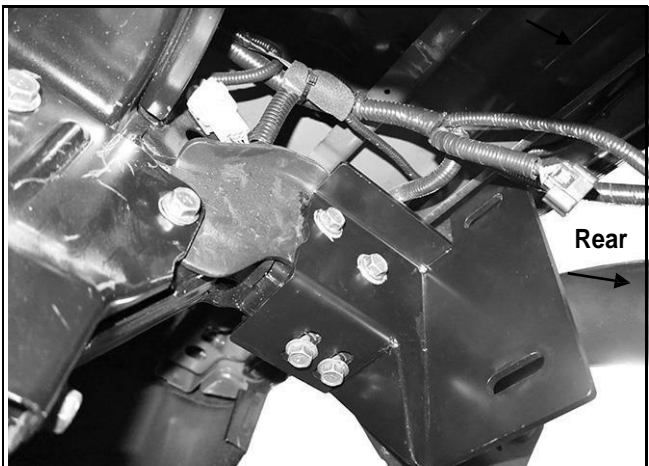
**WARNING!** Do not crawl under bumper unless the bumper is properly supported on blocks or stands or the bumper may fall.



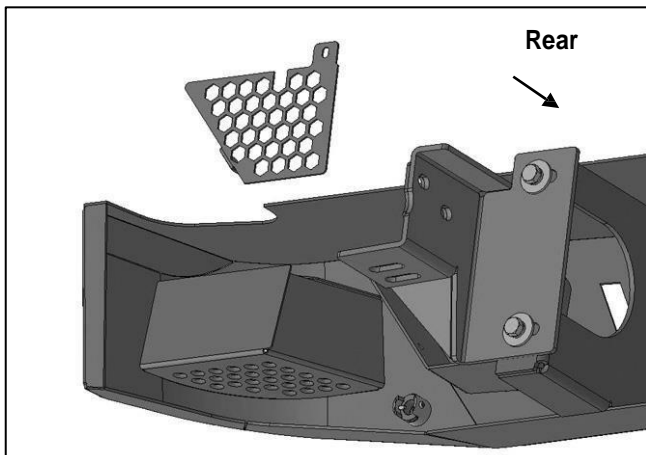
**(Fig 6) Passenger/right Mounting Bracket- Spacers required on models without hitch only**



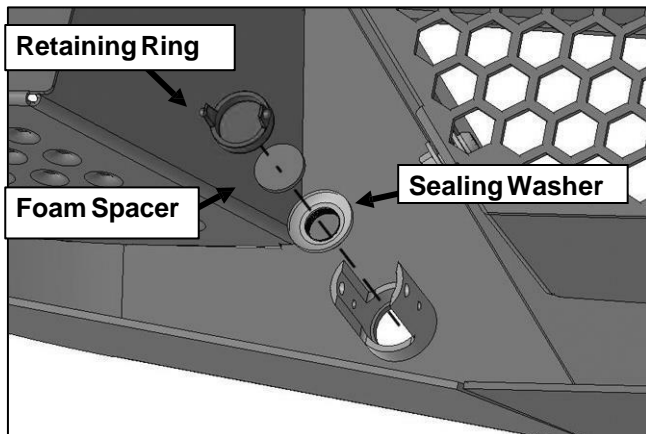
**(Fig 7) Passenger/right Mounting Bracket installed on model without hitch**



**(Fig 8) Passenger/right mounting Bracket attached directly to hitch. Spacers not required.**

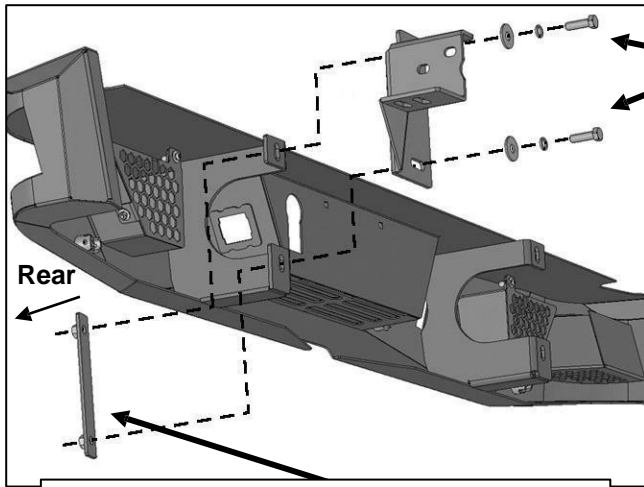


**(Fig 9) Remove screens if necessary for additional clearance around or access to lights**



**(Fig 10) Push sensor into sensor sleeve. Use Retaining Ring to lock sensor in place.**

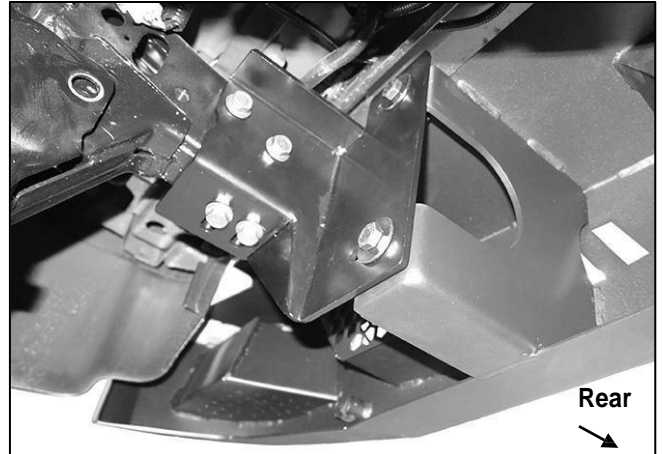
**LD1 REAR BUMPER 2016-18 TITAN "XD"**  
**Passenger side installation pictured**



- (2) 12mm Hex Bolts
- (2) 12mm Flat Washers
- (2) 12mm Flat Washers

**(Fig 11) Slide Double Nut Plate into Bracket**

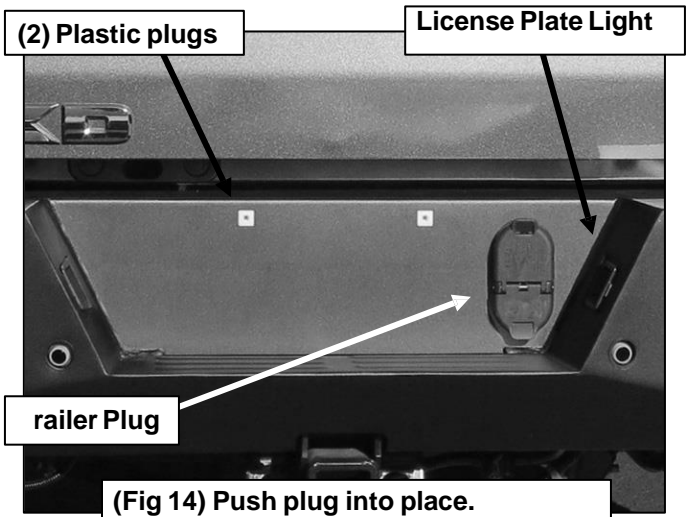
**WARNING!** Do not crawl under bumper unless the bumper is properly supported on blocks or stands or the bumper may fall.



**(Fig 12) Passenger/right side attached w-o hitch**



**(Fig 13) Passenger/right side attached w-hitch**



**(Fig 14) Push plug into place. Carefully bend locking tab outward if**



**Complete Installation**