



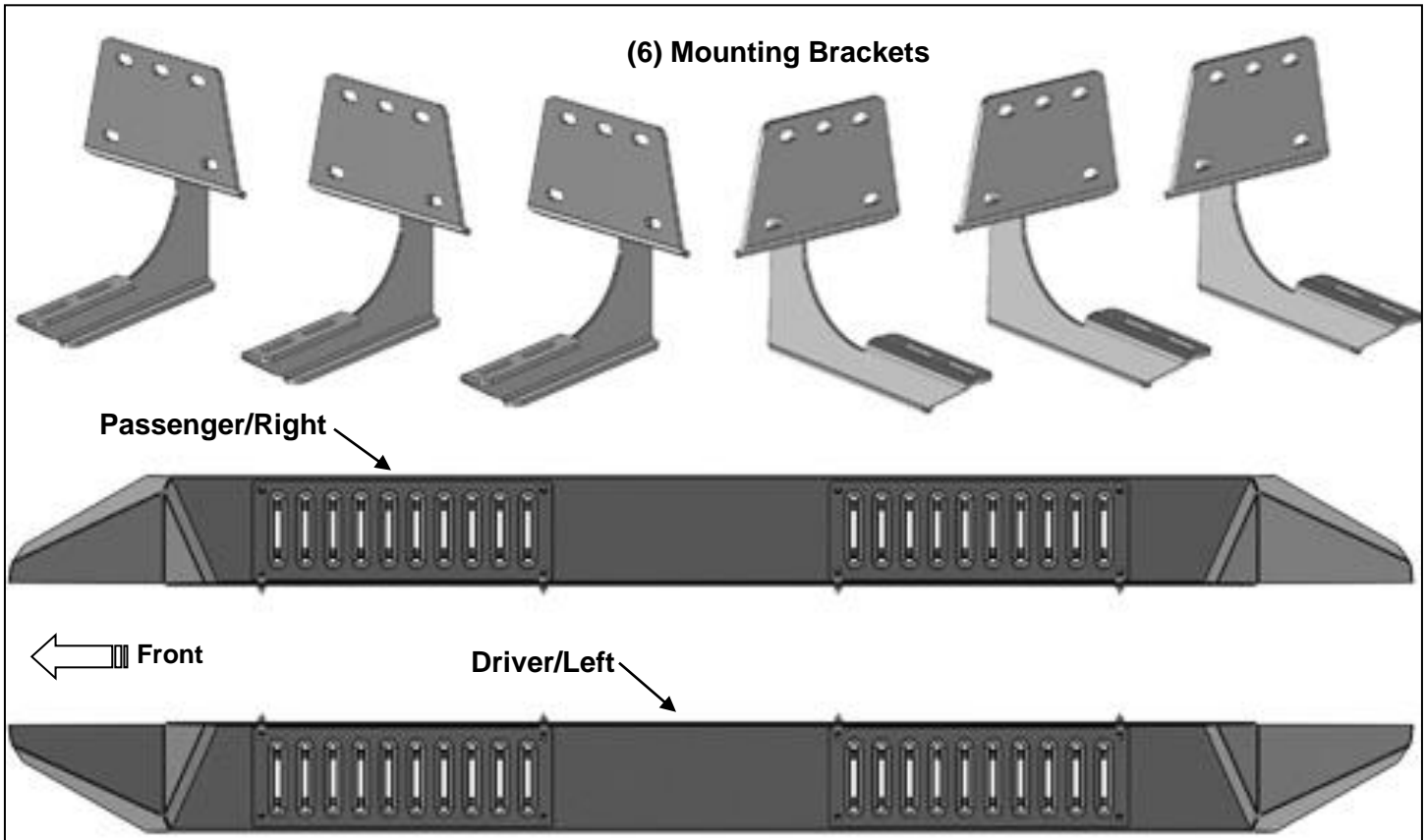
**BLACK HORSE  
OFF ROAD**

## **INSTALLATION INSTRUCTIONS**

**HEAVY DUTY RUNNING BOARDS  
2019 DODGE RAM 1500 CREW CAB  
PART#AR-DOD185-19**

**PARTS LIST:**

1	Driver/Left HD Running Board	12	6mm Lock Washers
1	Passenger/Right HD Running Board	12	6-1.00mm Hex Nuts
6	Mounting Brackets	18	8-1.25mm Nylon Lock Nuts
6	6mm x 30mm Double Plate	18	8mm x 24mm x 2mm Flat Washers
12	6mm x 22mm x 2mm Flat Washers		

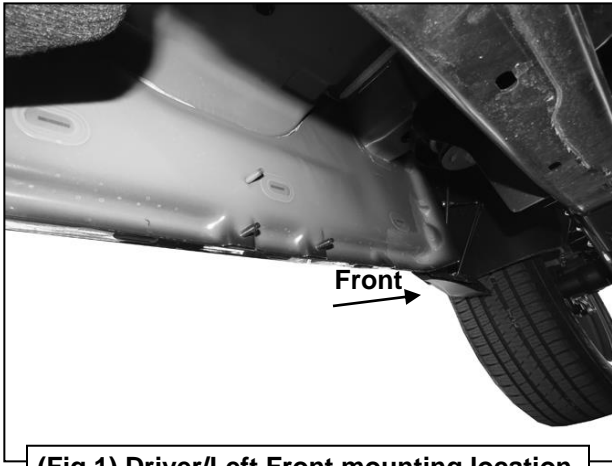


**PROCEDURE:**

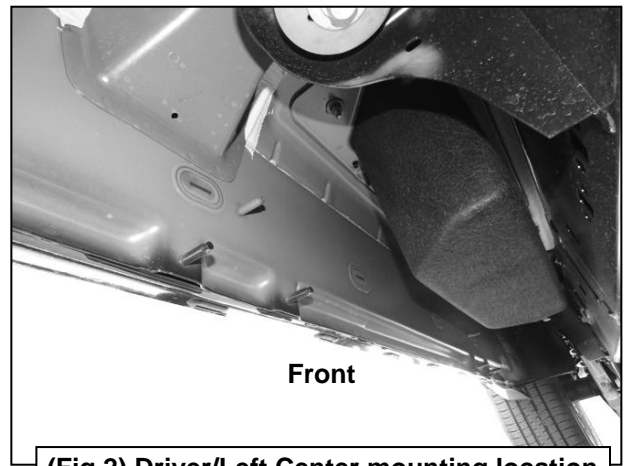
1. REMOVE CONTENTS FROM BOX. VERIFY ALL PARTS ARE PRESENT. READ INSTRUCTIONS CAREFULLY BEFORE STARTING INSTALLATION. USE WIRE BRUSH TO CLEAN MOUNTING STUDS OF PAINT AND DEBRIS.
2. Start the installation under the driver/left side of the vehicle. Locate the front (3) factory studs along the inner side of the body panel, (Figure 1).
3. Select (1) Mounting Bracket. **NOTE:** All (6) Brackets are universal and will fit left or right side. Attach the Mounting Bracket to the (3) factory studs with (3) 8mm Flat Washers and (3) 8mm Nylon Lock Nuts, (Figures 2 & 3). Leave brackets loose at this time.
4. Repeat **Steps 1—3** to install the Universal Brackets in the center and rear mounting locations along the body panel, (Figure 4—7).
5. Carefully unwrap and select (1) Drive/Left Running Board. Place the Running Board on top of the Brackets. Locate the channel in the bottom of the Running Board. Select (3) 6mm Double Bolt Plates, (Figure 8). Insert the Bolt Plates into the channel in the bottom of the Running Board closest to the Brackets, (Figure 9). Lift the Running Board up and guide the studs through the Brackets.
6. Attach the Running Board to the Brackets with (6) 8mm Flat Washers, (6) 8mm Lock Washers and (6) 8mm Hex Nuts, (Figures 10—12). **NOTE:** The Running Board is designed to fit close to the vehicle. It may be necessary to loosen the Bracket hardware slightly and tilt the Brackets downward to insert the Running Board between the Brackets and the body.
7. Level and adjust the Running Board as necessary and fully tighten all hardware.
8. Repeat **Steps 1—7** for Running Board installation on the passenger side.
9. Do periodic inspections to the installation to make sure that all hardware is secure and tight.

**To protect your investment;** Do not use any type of polish or wax that may contain abrasives that could damage the finish. Mild soap may be used also to clean the Running Boards.

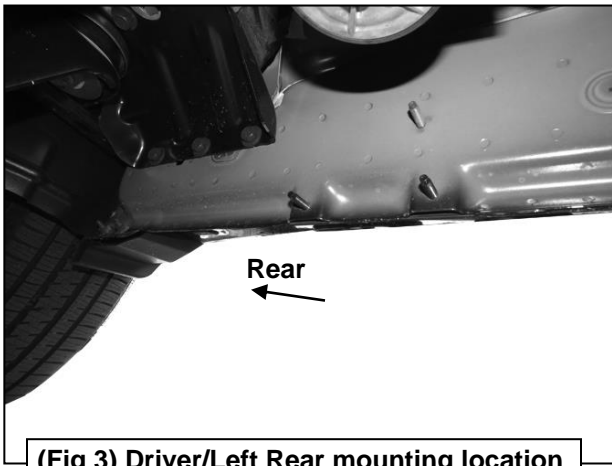
**Passenger Side Installation Pictured**



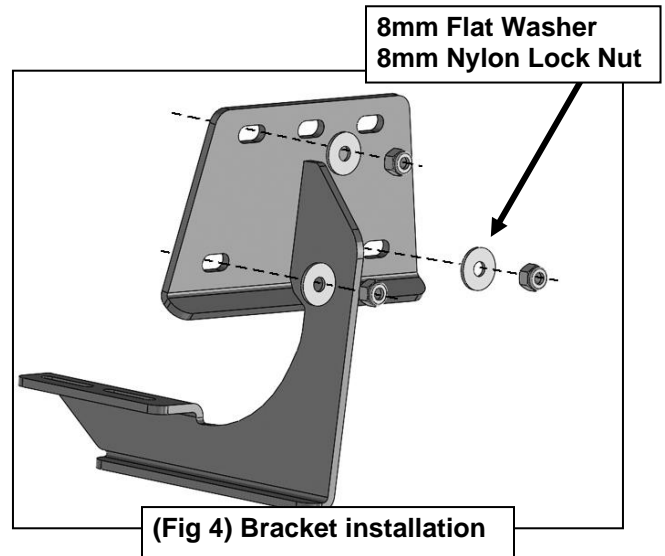
(Fig 1) Driver/Left Front mounting location



(Fig 2) Driver/Left Center mounting location

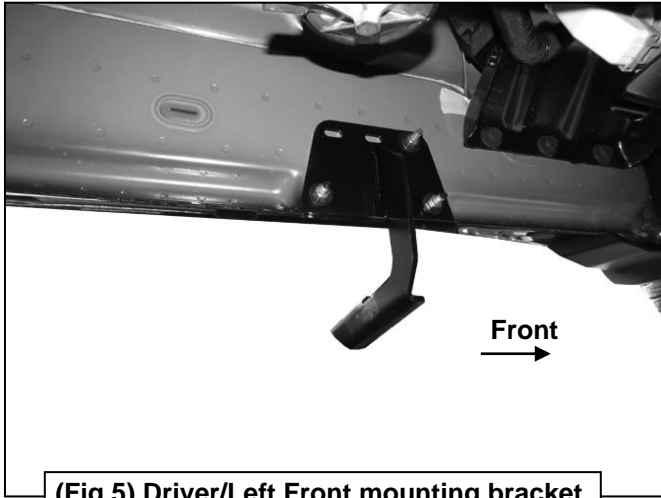


(Fig 3) Driver/Left Rear mounting location



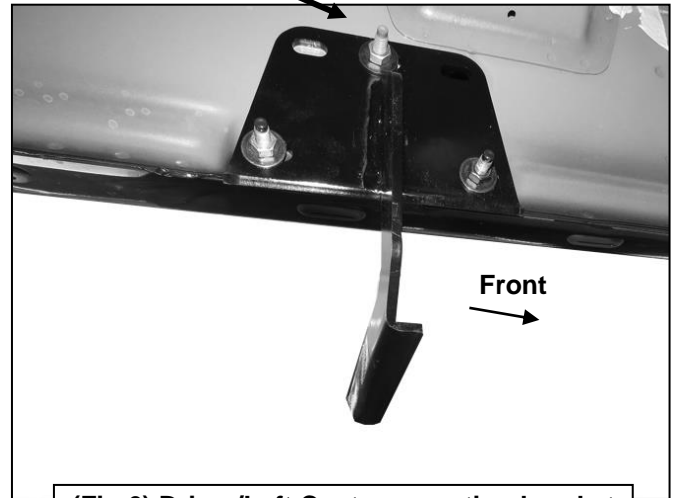
(Fig 4) Bracket installation

Passenger Side Installation Pictured

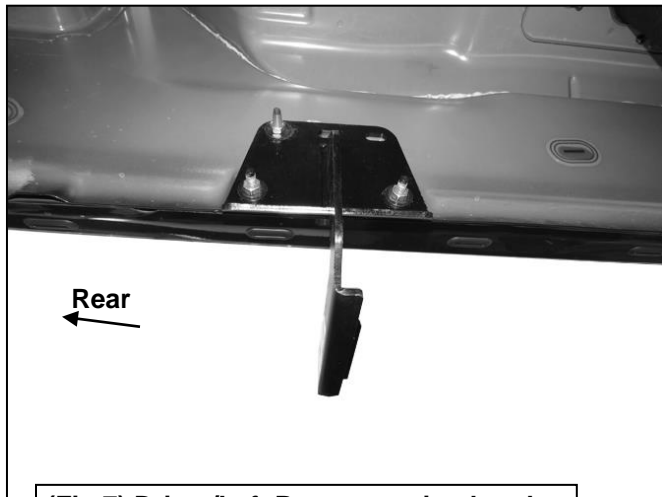


(Fig 5) Driver/Left Front mounting bracket

Center Mounting Bracket will use the center hole on bracket

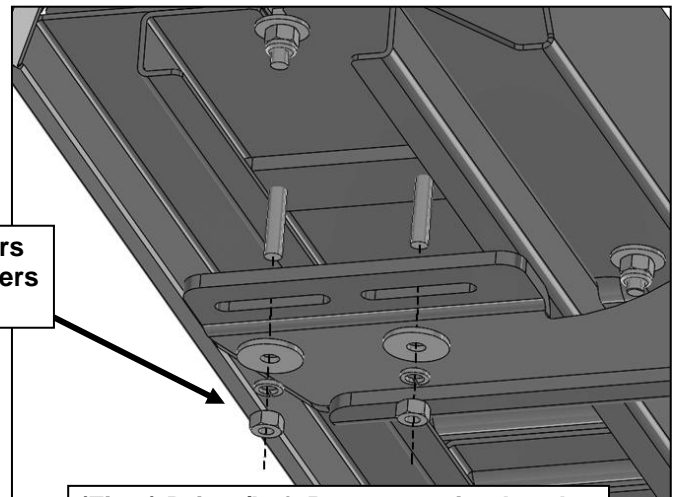


(Fig 6) Driver/Left Center mounting bracket



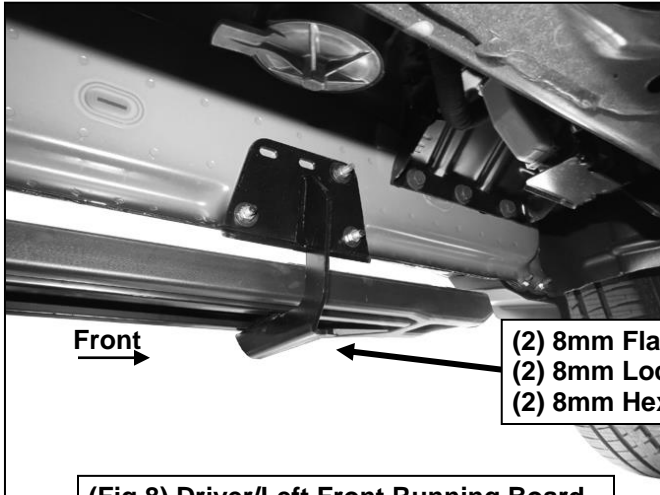
(Fig 7) Driver/Left Rear mounting bracket

- (2) 8mm Flat Washers
- (2) 8mm Lock Washers
- (2) 8mm Hex Nuts

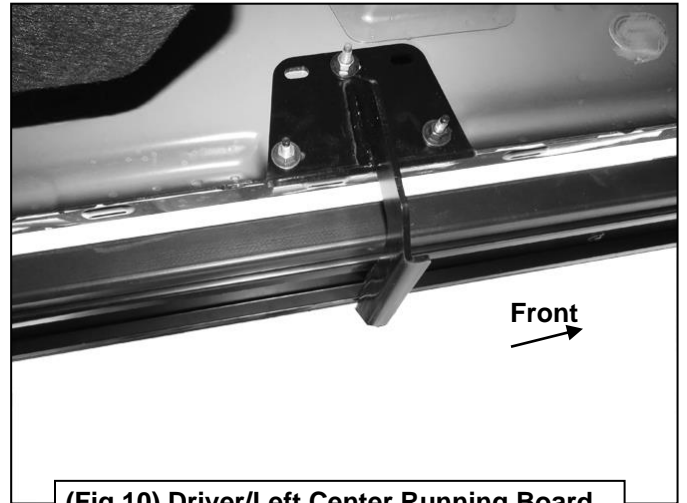


(Fig 7) Driver/Left Rear mounting bracket

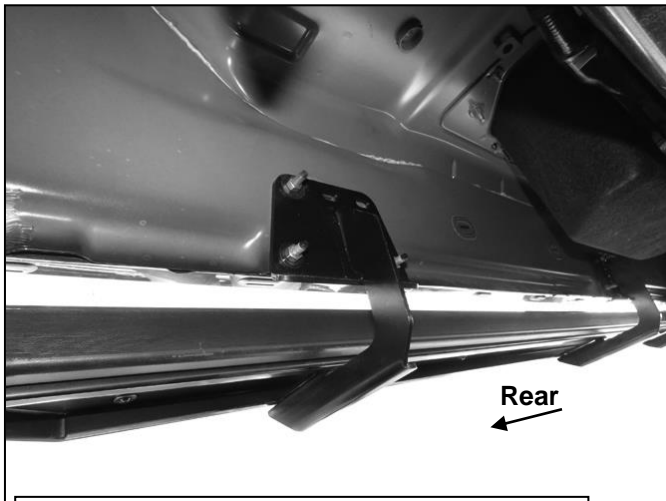
**Passenger Side Installation Pictured**



**(Fig 8) Driver/Left Front Running Board attached to mounting bracket**



**(Fig 10) Driver/Left Center Running Board attached to mounting bracket**



**(Fig 11) Driver/Left Rear Running Board attached to mounting bracket**