



INSTALLATION INSTRUCTIONS

54X34" ARMOUR CHASE RACK

(Full Set – Includes Roll Bar, Basket and Brackets)

FOR

2009-2020 FORD F150

PART # AR-CHR01

INSTALLATION INSTRUCTIONS

BLACKARMOUR UNIVERSAL ROLL BAR FOR 1/2 TON TRUCKS
2009-2020 FORD F150

PART # RB-AR1B



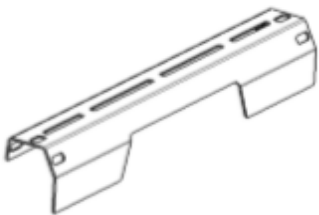





Before Installation

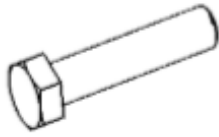


- Please read the instruction completely for easy installation, which will also help you to avoid scratches or other potential damages to your appealing car.
- The figures here are for reference only and may have differences with the actual product you received, however they share the same assembly way.

Care and Cleaning

- Mild soap may be used also to clean the Product.
- Please periodically check and retighten all the hardware and clean the investment for a refresh look.

Parts list

NO.	QTY	NAME	NO.	QTY	NAME
①	1	 Left installation part	②	1	 Right installation part
③	1	 Connection plate	④	2	 Block
⑤	12	 Flat washer D10	⑥	6	 Button head allen bolts M10_25
⑦	6	 Hex nut M10	⑧	12	 Spring washer D10

⑨	6	 <p>Hex nut M10_35</p>	⑩	6	 <p>Flat head nut M10_18</p>
⑪	1	 <p>Allen wrench S=6</p>			

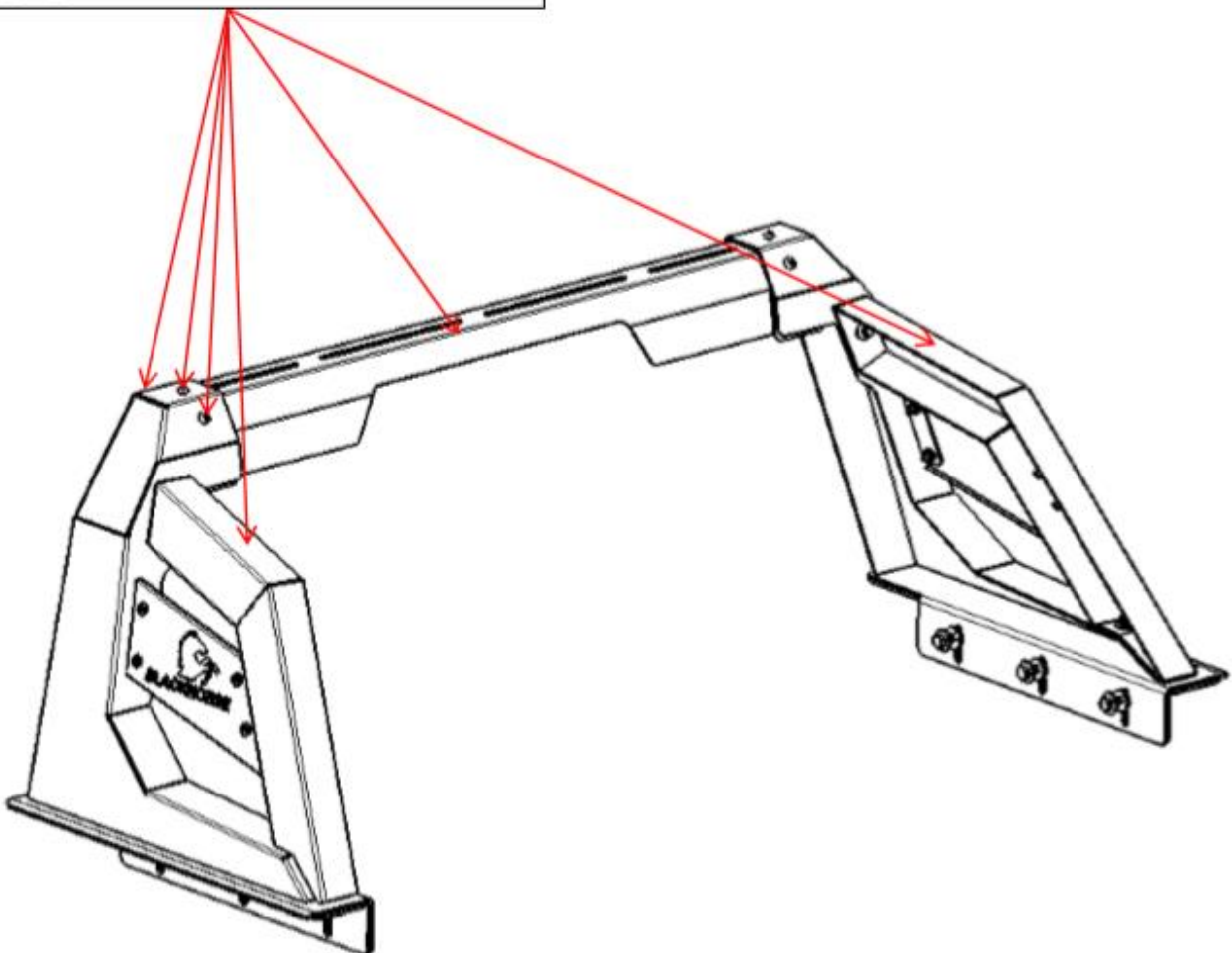
Installation Steps

Step1: Assemble ① Left installation part, ② Right installation part and ③ Connection plate with standard parts.

Lock all the standard parts after adjust the position.

Use standard parts ⑤ ⑥ ⑦ ⑧ to connect

① ② ③



Step2: Place the roll bar on the truck in an appropriate location. And mark the hole with pen. (3 places in each part, total are 6 places.)

Remove the product and drill $\Phi 13.8$ size of holes, then place ⑩ Flat head nut M10_18 below the holes.

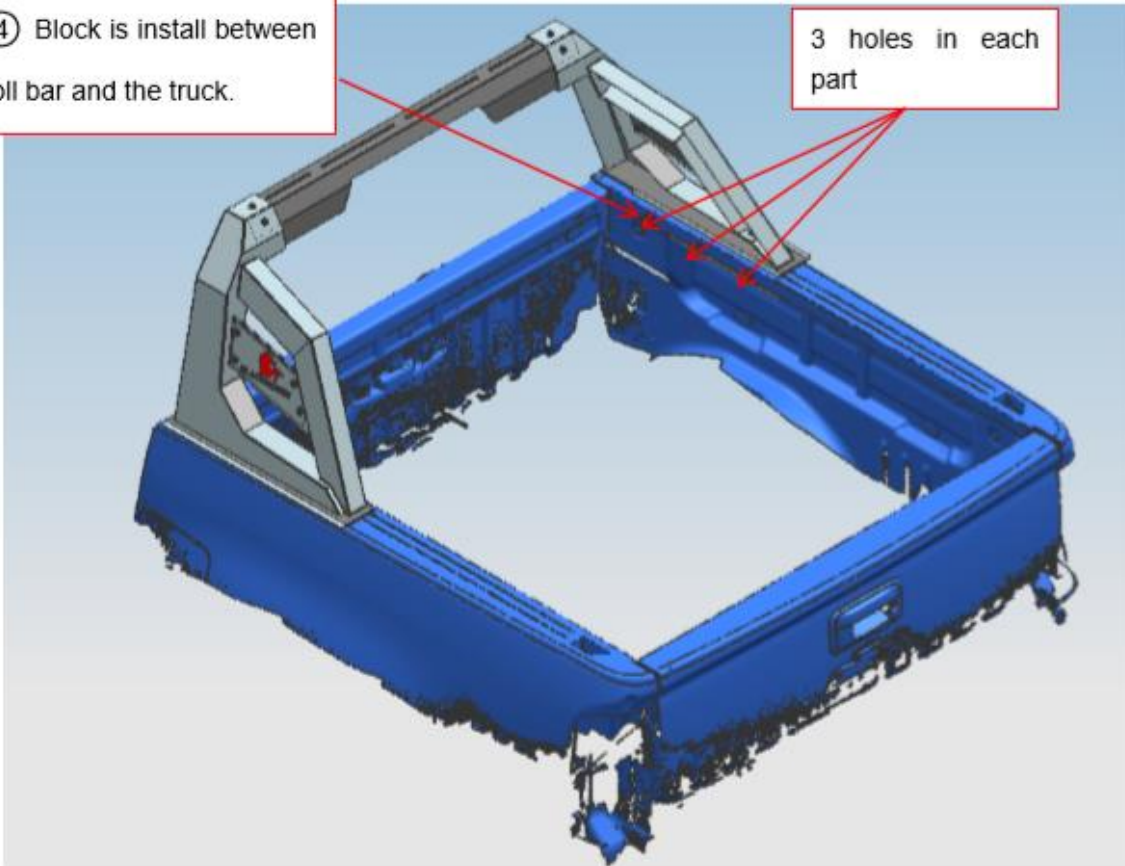
Then place roll bar on the truck and fixed with standard ⑤ Flat washer D10, ⑧ Spring washer D10, and

⑨ Hex nut M10_35.

④ Block is used for padding the product and the trunk when the car trunk width is big.

④ Block is install between roll bar and the truck.

3 holes in each part



NOTE

Any damages and losses caused by improper installation and application, goes beyond our quality warranty.

INSTALLATION INSTRUCTIONS

Black Basket and Brackets
2009-2020 FORD F150

PART # CHR01

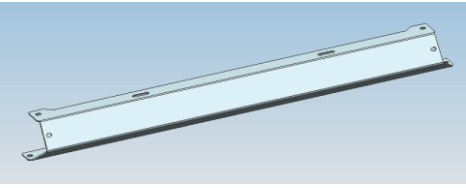
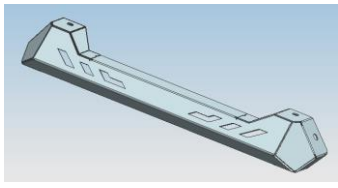
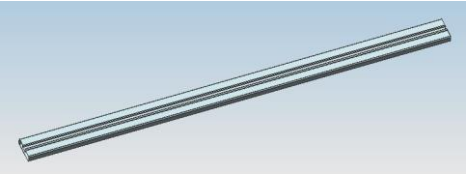
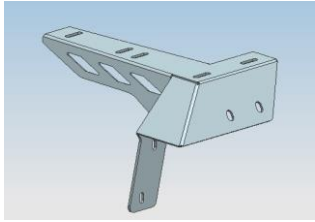
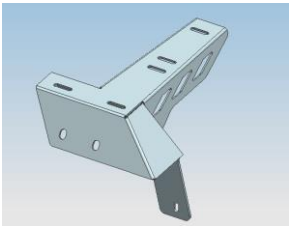
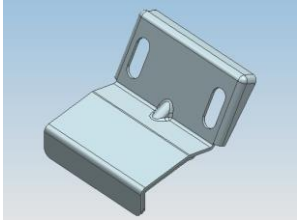
Before Installation

- Please read the instruction completely for easy installation, which will also help you to avoid scratches or other potential damages to your appealing car.
- The information shown here is for reference only and may differ from the product that you receive, however the goods are fitted in the same way.


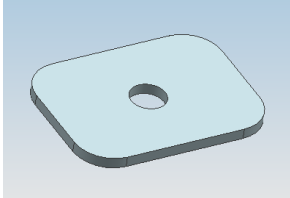
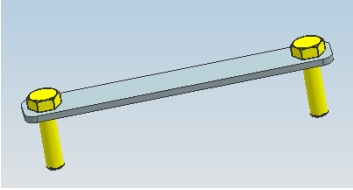
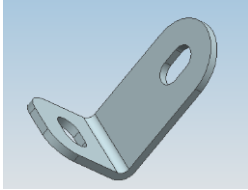
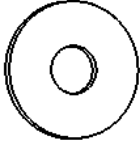
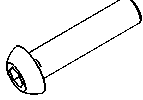
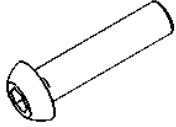

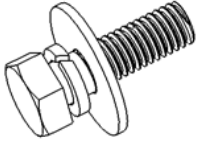

Care and Cleaning

- Mild soap may be used also to clean the Product.
- Please periodically check and retighten all the hardware and clean the investment for a refresh look.

Parts list

NO.	QTY	PICTURE	NO.	QTY	PICTURE
①	2	 FRONT PLATE	②	2	 SIDE PLATE
③	3	 CENTRAL CROSS PLATE	④	1	 CONNECT BRACKET(L)
⑤	1	 CONNECT BRACKET(R)	⑥	2	 CLAMP A

54X34" ARMOUR CHASE RACK FOR 2009-2020 FORD F150

<p>⑦</p>	<p>2</p>	 <p>CLAMP B</p>	<p>⑧</p>	<p>2</p>	 <p>BLOCK PLATE</p>
<p>⑨</p>	<p>2</p>	 <p>T-BOLT</p>	<p>⑩</p>	<p>2</p>	 <p>LICENSE PLATE BRACKET</p>
<p>⑪</p>	<p>20</p>	 <p>FLAT WASHER D8</p>	<p>⑫</p>	<p>2</p>	 <p>BUTTON HEAD ALLEN BOLT M8*16</p>
<p>⑬</p>	<p>18</p>	 <p>BUTTON HEAD ALLEN BOLT M8*25</p>	<p>⑭</p>	<p>22</p>	 <p>HEX NUT M8</p>
<p>⑮</p>	<p>16</p>	 <p>HEX BOLT M8*25</p>	<p>⑯</p>	<p>1</p>	 <p>ALLEN WERNCH S=5</p>

Installation Fig.

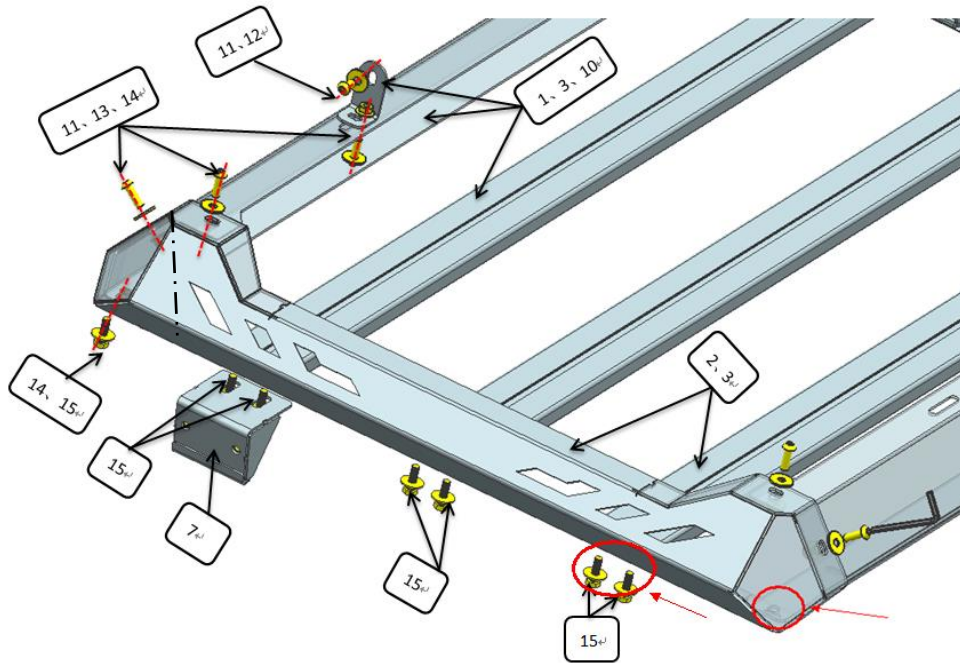


Fig1.

Step 1: Assemble roof rack with accessories, as FIG1 shown, notice do not install three holes in red frame, they need to connect with bracket as step 2 (Both sides are in the same installation way)

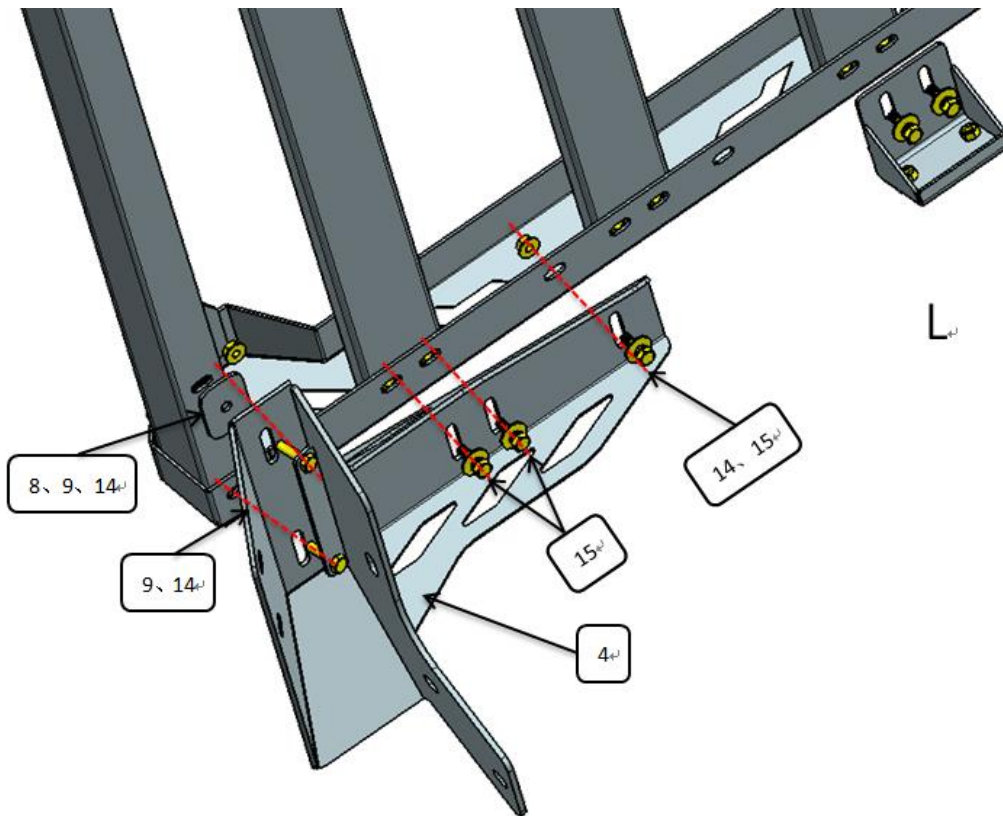


Fig2.

Step 2: Connect two connect brackets ④ ⑤ with roof rack with accessories as FIG2 shown.

To make sure it stays in a suitable location, lock all the parts tightly.

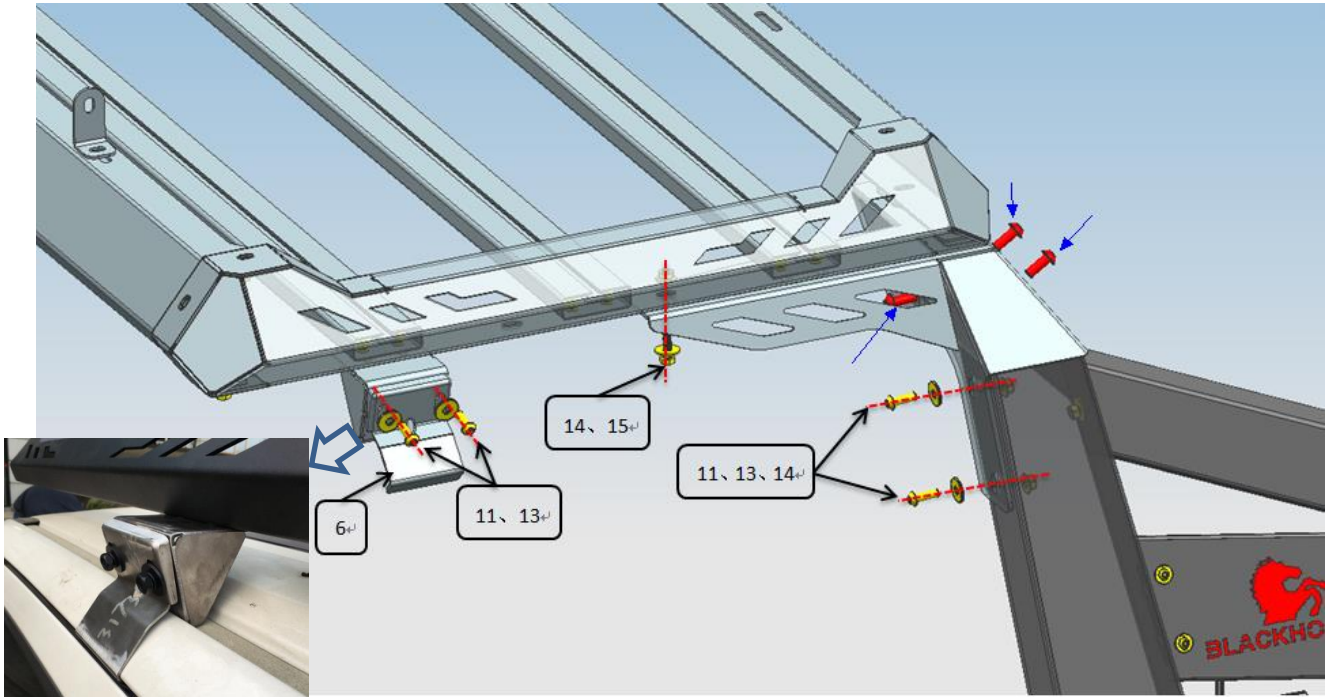
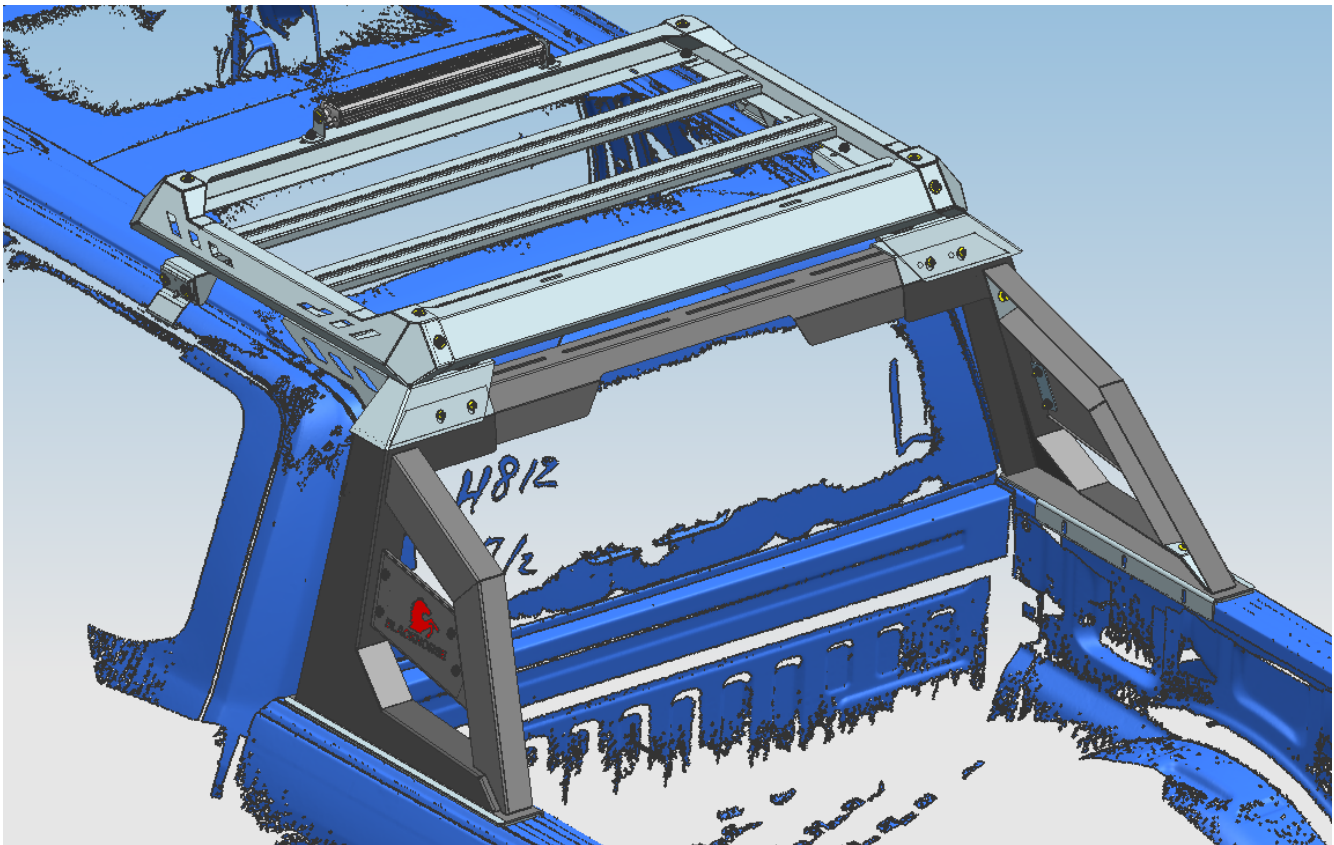


Fig3.

Step 3: Connect the roof rack with roll bar with accessories as FIG3 shown (Three accessories parts in red are from the accessories bag of roll bar). The clamp A clamp on door edge and connect with clamp B by accessories. (Both sides are in the same installation way)

Step 4: Check the roll bar and roof rack if it installs correctly, then tighten all the parts.



Step 5: Complete installation, pick up all tools.

NOTE

Any damages and losses caused by improper installation and application, goes beyond our quality warranty.

