

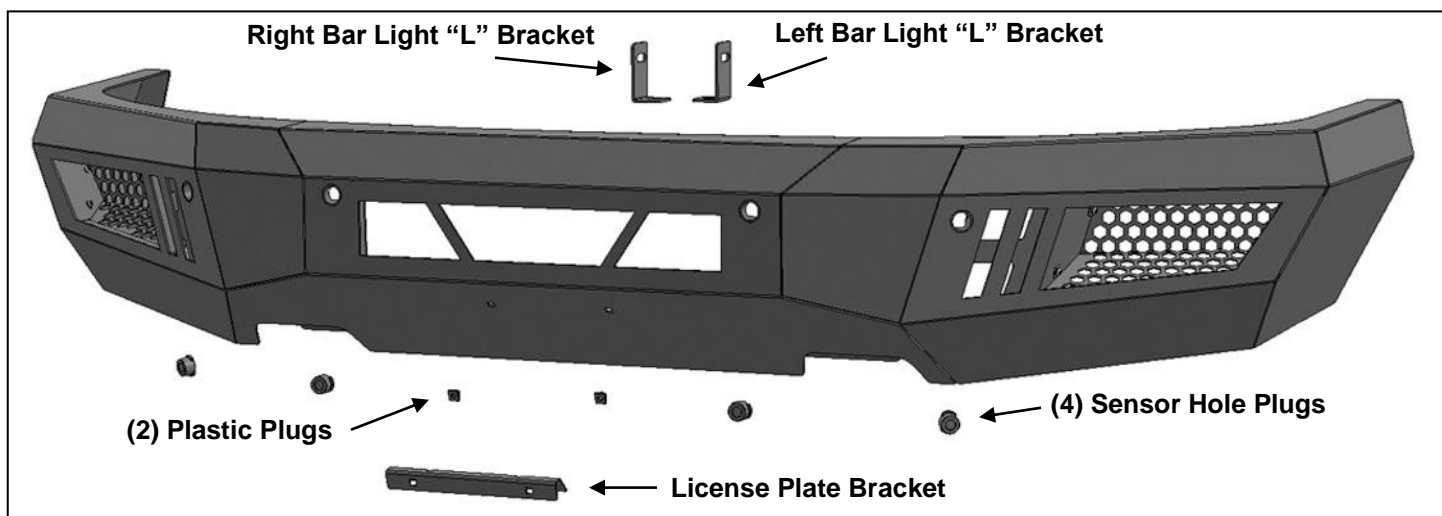
INSTALLATION INSTRUCTIONS

ARMOUR FRONT BUMPER FOR
16-18 NISSAN TITAN XD
PART#AFB-NITI

ARMOUR FRONT BUMPER
2016-18 NISSAN TITAN XD ONLY

PARTS LIST:

| | | | |
|----|--|---|---------------------------------|
| 1 | ARMOUR Front Bumper Assembly | 6 | 8mm x 24mm Flat Washers |
| 1 | Driver/left "L" Bracket (center LED light) | 4 | 8mm Lock Washers |
| 1 | Passenger/right "L" Bracket (center LED light) | 2 | 8mm Hex Nuts |
| 1 | License Plate Bracket | 2 | 6mm x 20mm Button Head Bolts |
| 2 | Plastic Plugs for license plate mount | 4 | 6mm x 18mm x 1.6mm Flat Washers |
| 4 | Sensor Hole Plugs | 2 | 6mm Nylon Lock Nuts |
| 10 | Nylon Wire Ties | 8 | 4mm x 10mm Button Head Bolts |
| 2 | 8-1.25mm x 25mm Hex Bolts | 1 | 4mm Allen Wrench |
| 2 | 8-1.25mm x 16mm Hex Bolts (LED light bar) | 1 | 2.5mm Allen Wrench |



PROCEDURE:

REMOVE CONTENTS FROM BOX. VERIFY ALL PARTS ARE PRESENT. READ INSTRUCTIONS CAREFULLY BEFORE STARTING INSTALLATION. BUMPER IS HEAVY, ASSISTANCE IS HIGHLY RECOMMENDED TO AVOID POSSIBLE INJURY OR DAMAGE TO THE VEHICLE.

1. Remove the license plate. On models with factory fog lights and/or sensors, unplug the wiring harness leading to the bumper. Release the harness from clips attached to the back of the bumper and move harness out of the way.
2. Starting on the driver/left side, remove the plastic panel next to the opening in the bumper, **(Figure 1)**. On models with sensors, remove the panel and unplug the sensor, **(Figure 2)**. Next, remove the plastic fill panel directly above the tow hook, **(Figure 3-if equipped)**. **IMPORTANT:** On models with factory skid plate, skid plate must be removed and cannot be reinstalled, **(Figure 4)**. On models with skid plate, temporarily remove both tow hooks and remove skid plate.
3. Next, move to the driver/left inner wheel opening. Remove the hardware attaching the inner bumper reinforcement to the outside of the frame, **(Figure 5)**.
4. Repeat **Steps 2 & 3** on the passenger/right side of the vehicle.
5. Place blocks or jack stands under the front bumper to support it during mounting bolt removal. Once the bumper has been safely supported, remove the (3) hex bolts attaching each side of the bumper to the bracket on the end of the frame, **(Figure 6)**. **WARNING!** Assistance is required to hold the bumper in place during hardware removal to prevent the bumper from falling. Slide the bumper assembly off of the tow hooks, (if equipped).
6. Once the bumper assembly has been removed, remove both bumper brackets from the end of the frame, **(Figure 7)**.

Models without bumper sensors:

- a. Select the included (4) Rubber Plugs.
- b. From behind bumper, push plugs into sensor mounting holes, **(Figure 9)**.

Models with bumper mounted sensors:

- a. Remove the sensors and wiring harness from the bumper and fill panels, **(Figures 2 & 8)**.
- b. Select (1) sensor. Push the sensor into the mounting socket in the back of the bumper.
- c. Secure the sensor to the socket with (2) 4mm x 10mm Button Head Screws, **(Figure 9)**.
IMPORTANT: Sensors fit snug in sockets. The 4mm Screws are used to apply slight pressure to lock the sensors in place. Tighten both screws evenly until they touch the sensor body only. Do not overtighten screws or damage to sensors will result.
- d. Repeat to install all sensors.

Center LED light installation (sold separately).

- c. Select the L/R "L" Brackets, **(Figure 10)**. Attach the Brackets to the top of the (2) mounting tabs welded onto the back of the bumper with the included 8mm x 25mm Hex Bolts, (4) 8mm Flat Washers, (2) 8mm Lock Washers and (2) 8mm Hex Nuts. Leave loose at this time.
- d. Attach the LED light assembly to the "L" Brackets with the included (2) 8mm x 16mm Hex Bolts, (2) 8mm Lock Washers and (2) 8mm Flat Washers, **(Figure 10)**. Do not fully tighten hardware at this time. **IMPORTANT:** "L" Brackets are designed for 8mm light mounting hardware only. Modify "L" Brackets if necessary or use brackets supplied by the light manufacturer if possible to install hardware larger than 8mm.
- e. Follow light manufacturer's instructions to properly wire the light.

LED light installation at ends of bumper (sold separately).

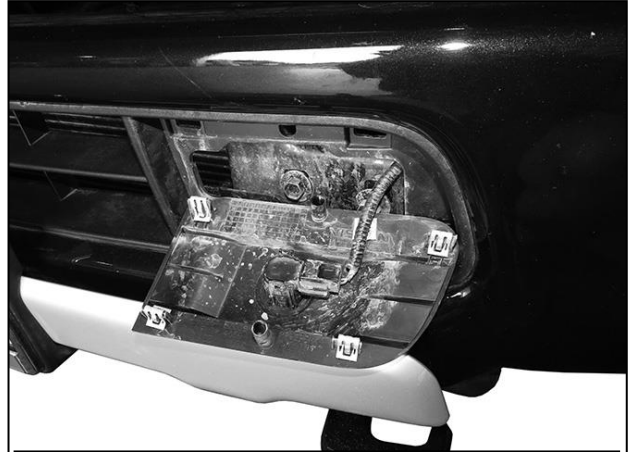
- a. Insert light into opening and up to mounting slots. Check for clearance between front and back of light. If necessary, remove screen from back of opening, **(Figure 11)**.
 - b. Follow the light manufacturer's instructions to attach (1) light to the center slot or (2) lights to the inner and outer slots in the top of the light opening, **(Figure 11)**. **IMPORTANT:** On two light systems, attach the flood light to the outer slot and the spot light to the inner slot.
 - c. Repeat the above steps for passenger side light installation.
 - d. Follow light manufacturer's instructions to properly wire the light.
7. With assistance, position the ARMOUR Bumper Assembly up to the frame brackets. Temporarily support the weight of the Bumper. **WARNING:** To avoid possible injury or damage to the vehicle, do not proceed until the Bumper is fully and safely supported.
 8. Reuse the (3) factory bumper mounting hex bolts to attach the mounting plate on the back of the driver/left side of the Bumper to the Frame Bracket, **(Figures 12 & 13)**. Do not fully tighten at this time. Repeat this Step to attach the passenger/right side of the Bumper to the Frame Bracket, **(Figure 14)**.
 9. Level and adjust the bumper and fully tighten all hardware.
 10. Reinstall the wiring harness to the sensors. Use the included wire ties to securely attach the harness to the back of the Bumper.
 11. If front license plate is required, attach the License Plate Bracket to the holes in the bumper with the included (2) 6mm x 20mm Button Head Screws, (4) 6mm x 18mm Large Flat Washers and (2) 6mm Nylon Lock Nuts. Insert (2) Plastic Plugs into the square holes in the Bracket. Reuse the factory screws to attach the license plate to the plastic plugs, **(Figure 15)**.
 12. Do periodic inspections to the installation to make sure that all hardware is secure and tight.

To protect your investment, wax this product after installing. Regular waxing is recommended to add a protective layer over the finish. Do not use any type of polish or wax that may contain abrasives that could damage the finish. Mild soap may be used to clean the Bumper assembly.

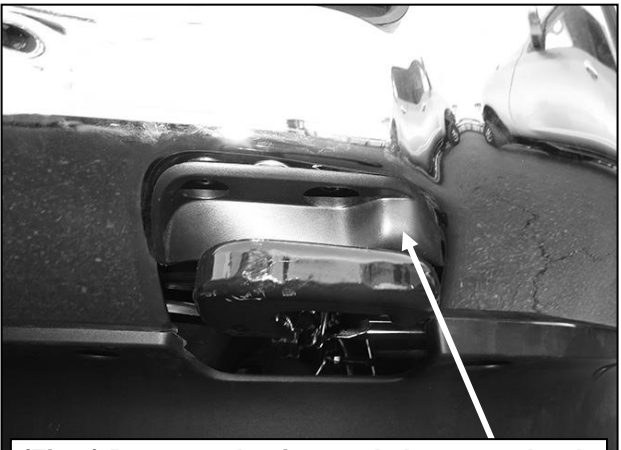
Driver Side Installation Pictured



(Fig 1) Remove fill panel to access bumper bolts



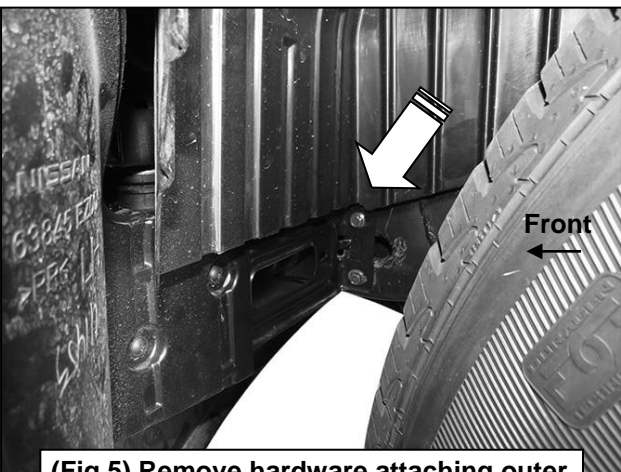
(Fig 2) Models with sensors, unplug sensors



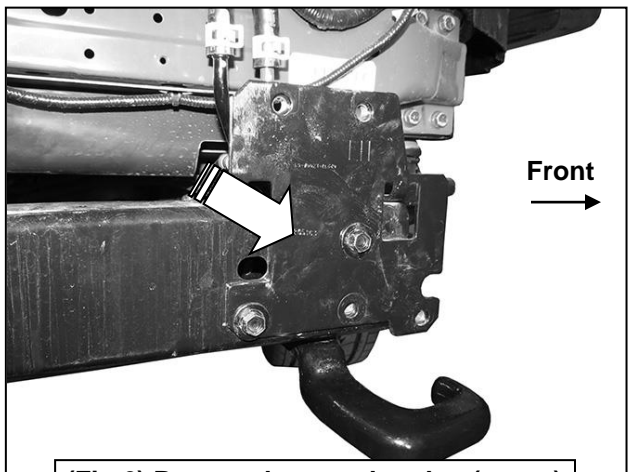
(Fig 3) Remove plastic panel above tow hook



(Fig 4) Remove skid plate if equipped

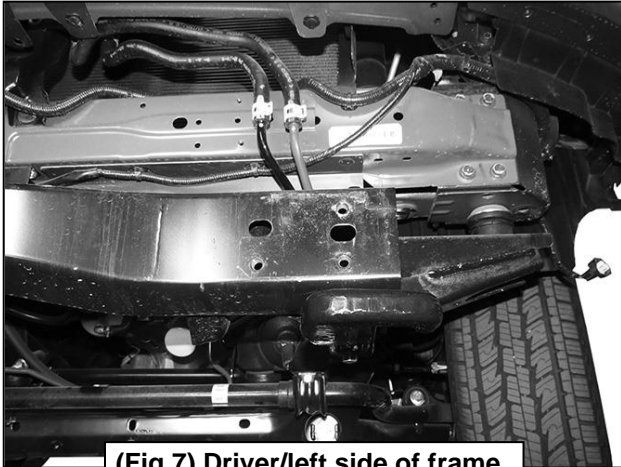


(Fig 5) Remove hardware attaching outer bumper support to side of frame (arrow)



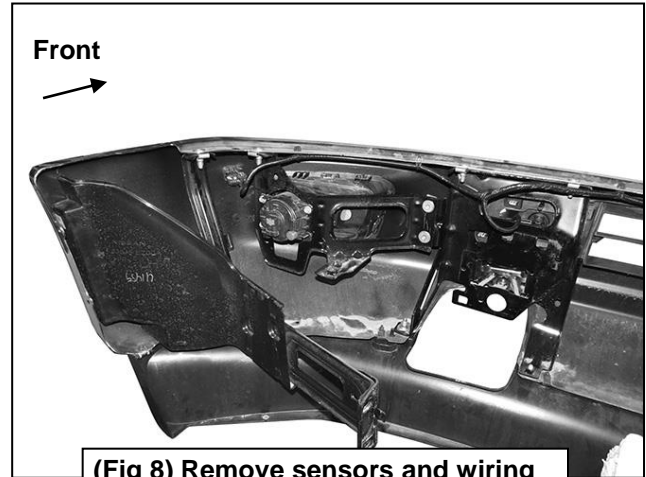
(Fig 6) Remove bumper bracket (arrow)

Driver Side Installation Pictured



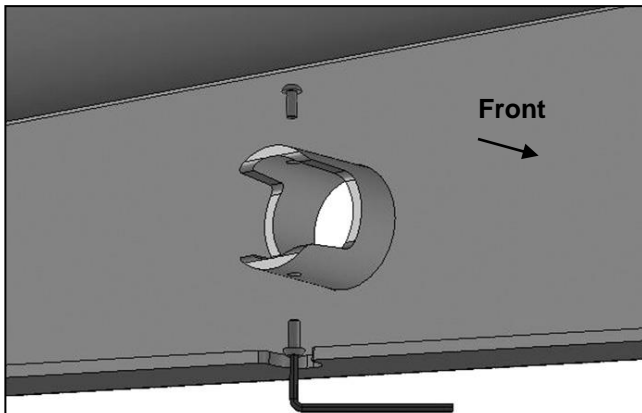
(Fig 7) Driver/left side of frame

WARNING! Do not remove bumper bolts unless the bumper is properly supported on blocks or stands or the bumper may fall.



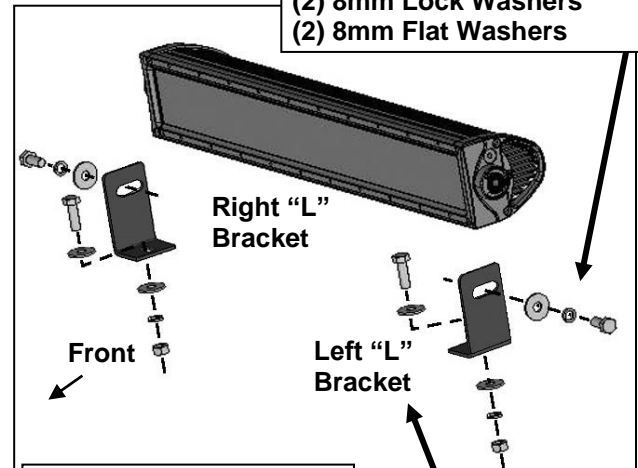
(Fig 8) Remove sensors and wiring harness (if equipped) from bumper

IMPORTANT: Sensors fit snug in sockets. The 4mm Screws are only used to apply slight pressure to lock the sensors in place. Tighten both screws evenly until they touch the sensor body only. Do not overtighten screws or damage to sensors will result.



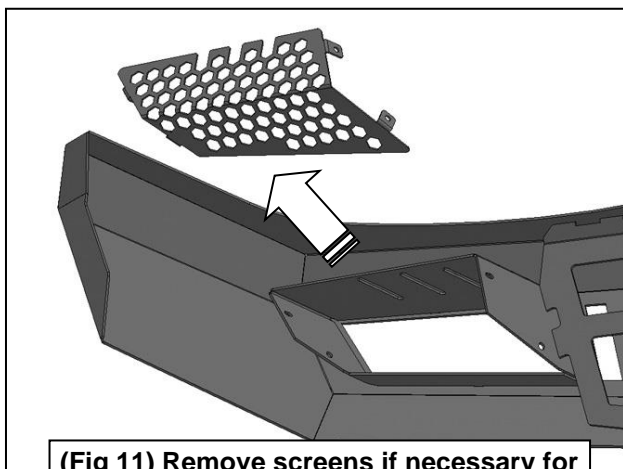
(Fig 9) Push sensor into mounting sleeve. Use 4mm Screws to lock sensor in place.

- (2) 8mm x 16mm Hex Bolts
- (2) 8mm Lock Washers
- (2) 8mm Flat Washers



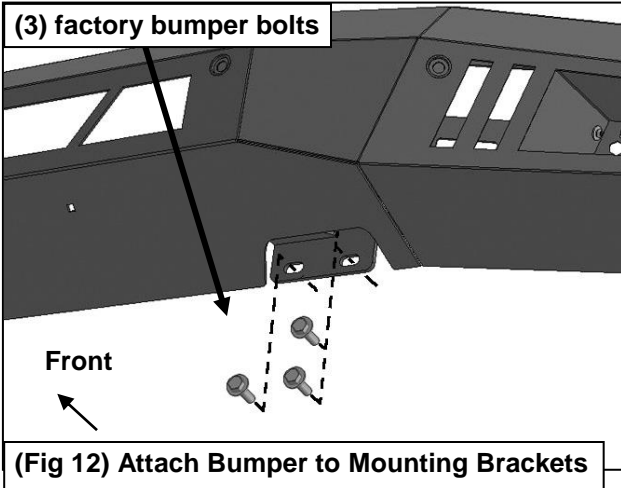
(Fig 10) Example of center light installation

- (2) 8mm x 25mm Hex Bolts
- (4) 8mm Flat Washers
- (2) 8mm Lock Washers
- (2) 8mm Hex Nuts



(Fig 11) Remove screens if necessary for clearance/access to outer light mounts

Driver Side Installation Pictured



WARNING! Do not crawl under bumper unless the bumper is properly supported on blocks or stands or the bumper may fall.

