

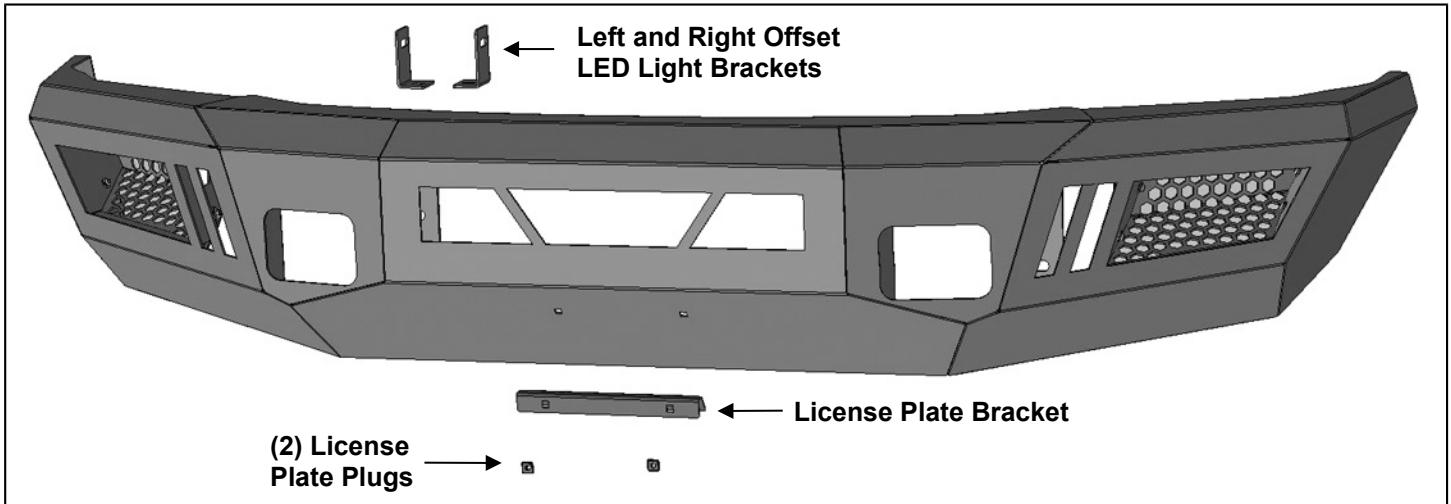
INSTALLATION INSTRUCTIONS

LD1 FRONT BUMPER
FOR 17-18 FORD F250/350 SUPERDUTY
PART#AFB-F217

LD1 FRONT BUMPER
2017-18 FORD SUPERDUTY F250-350

PARTS LIST:

1	LD1 Front Bumper Assembly	6	8mm x 24mm x 2mm Flat Washers
2	Plastic Plugs for license plate mount	4	8mm Lock Washers
1	License Plate Bracket	2	8mm Hex Nuts
1	Offset Left LED Bracket	2	6mm x 20mm Button Head Screw
1	Offset Right LED Bracket	4	6mm x 18mm x 1.6mm Flat Washers
2	8-1.25mm x 25mm Hex Bolts	2	6mm Nylon Lock Nut
2	8-1.25mm x 16mm Hex Bolts	1	Wrench



PROCEDURE:

REMOVE CONTENTS FROM BOX. VERIFY ALL PARTS ARE PRESENT. READ INSTRUCTIONS CAREFULLY BEFORE STARTING INSTALLATION. BUMPER IS HEAVY, ASSISTANCE IS HIGHLY RECOMMENDED TO AVOID POSSIBLE INJURY OR DAMAGE TO THE VEHICLE.

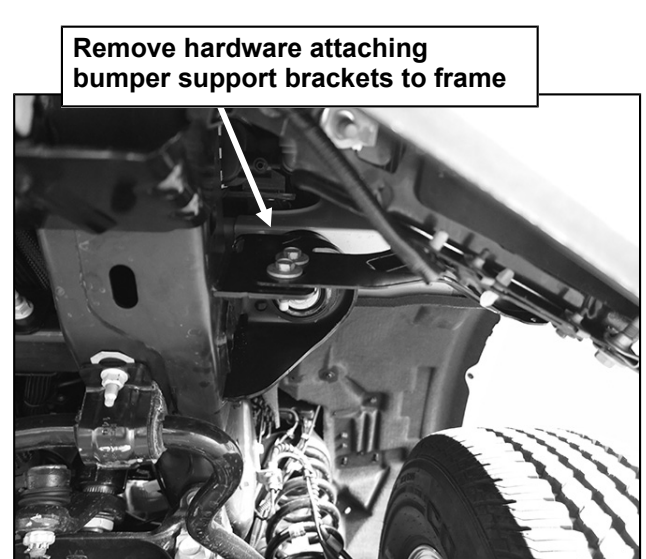
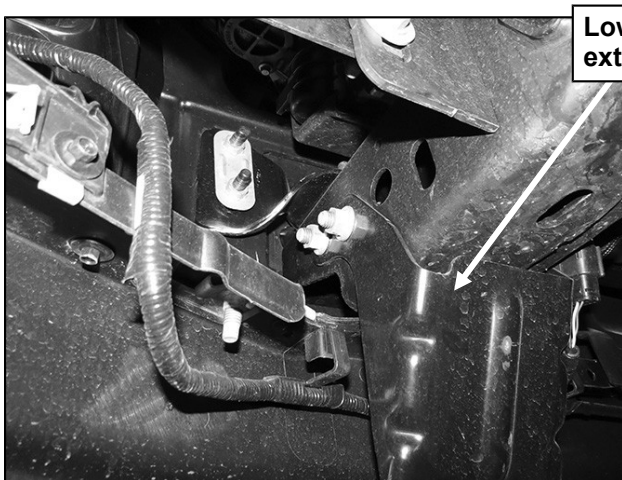
1. Remove the license plate and bracket. On models with factory fog lights, unplug the harness leading to the front bumper. **(Figure 1)**. Move harness away from bumper.
2. Remove the driver/left bumper support attached to the bumper frame bracket and outer end of the bumper, **(Figure 2)**. Repeat this Step to remove the passenger/right side bumper support
3. Remove the plastic covers surrounding the tow hooks to uncover the bumper bolts, **(Figures 3 & 4)**.
4. Place blocks or jack stands under the front bumper to support it during mounting bolt removal. Once the bumper has been safely supported, remove the factory bumper bolts, **(Figure 4)**. **WARNING!** Assistance is required to hold the bumper in place during bolt removal to prevent the bumper from falling. Carefully slide the bumper off over the tow hooks, **(Figure 5)**.
5. **Optional Center LED light installation** (sold separately). **NOTE:** Lights may also be installed after Bumper has been installed.
 - a. Select the L/R "L" Brackets, **(Figures 6 & 7)**. **NOTE:** "L" Brackets are offset for universal fitment for most LED bar style lights. Attach the brackets to the top of the (2) tabs on the back of the Bumper with the included 8mm x 25mm Hex Bolts, (4) 8mm Flat Washers, (2) 8mm Lock Washers and (2) 8mm Hex Nuts, **(Figure 6)**. Do not fully tighten hardware at this time.
 - b. Attach the LED light assembly to the "L" Brackets with the included (2) 8mm x 16mm Hex Bolts, (2) 8mm Lock Washers and (2) 8mm Flat Washers, **(Figure 7)**. Do not fully tighten hardware at this time. **NOTE:** "L" Brackets may require modification for hardware larger than 8mm or use brackets supplied with light if possible.
 - c. Adjust light position and tighten hardware.

**LD1 FRONT BUMPER
2017-18 FORD SUPERDUTY F250-350**

- d. Follow light manufacturer's instructions to wire the light to the vehicle's electrical system once Bumper has been fully installed.
6. **LED light installation at ends of bumper** (sold separately).
 - a. Insert light into opening and up to mounting slots. Check for clearance between front and back of light. If necessary, remove the screens from the back of the openings, **(Figure 8)**.
 - b. Follow the light manufacturer's instructions to attach each light to slot in the top of the light opening, **(Figure 8)**. **NOTE:** On two light systems, attach the flood light to the outer slot and the spot light to the inner slot.
 - c. Repeat the above steps for passenger side light installation.
 - d. Follow light manufacturer's instructions to properly wire the light to the vehicle electrical system.
7. With assistance, carefully position the Bumper Assembly up to the factory bumper brackets. Temporarily support the weight of the Bumper. **WARNING:** To avoid possible injury or damage to the vehicle, do not proceed until the bumper is fully and safely supported.
8. Reuse the factory bumper mounting hardware to attach the Bumper assembly to the bumper brackets, **(Figures 9 & 10)**. Do not fully tighten hardware at this time.
9. Level and adjust the bumper and fully tighten all hardware.
10. If front license plate is required, attach the License Plate Bracket to the holes in the bumper with the included (2) 6mm x 20mm Button Head Screws, (4) 6mm Flat Washers and (2) 6mm Nylon Lock Nuts, **(Figure 11)**. Insert (2) Plastic Plugs into the square holes in the Bracket. Reuse the factory screws to attach the license plate to the plastic plugs, **(Figure 11)**.
11. Do periodic inspections to the installation to make sure that all hardware is secure and tight.

To protect your investment, wax this product after installing. Regular waxing is recommended to add a protective layer over the finish. Do not use any type of polish or wax that may contain abrasives that could damage the finish. Mild soap may be used to clean the LD1 Front Bumper assembly.

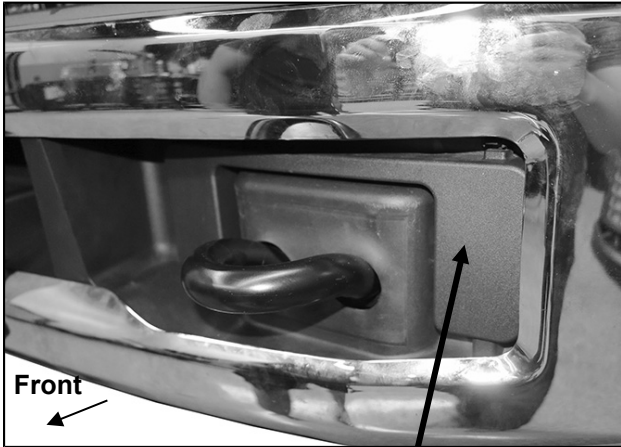
Driver/left Side Installation Pictured



(Fig 1) Driver side lower frame extension and fog light wire harness pictured from behind bumper

(Fig 2) Remove outer bumper support

Driver/left Side Installation Pictured

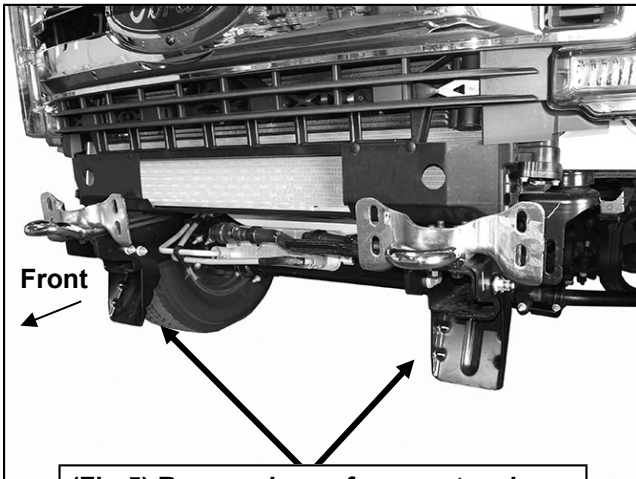


(Fig 3) Remove plastic cover around tow hook

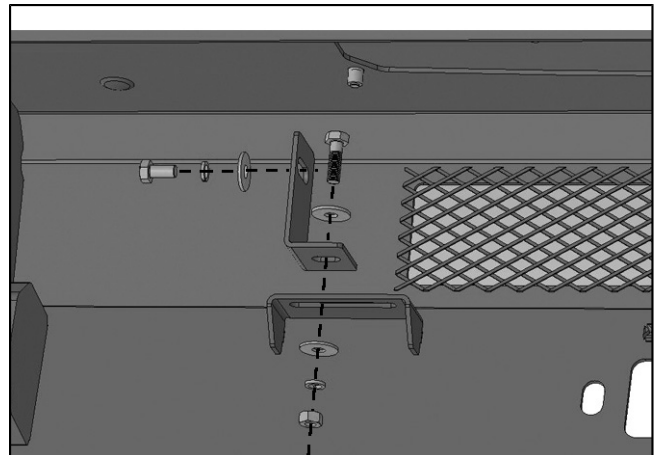


(Fig 4) Remove bumper bolts (driver side pictured)

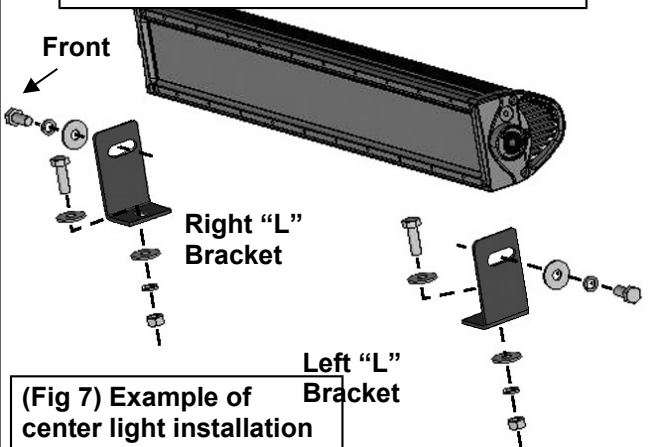
WARNING! Do not remove bumper bolts unless the bumper is properly supported on blocks or stands or the bumper may fall.



(Fig 5) Remove lower frame extensions from bottom of frame (optional)



(Fig 6) Universal LED Brackets (light not included)



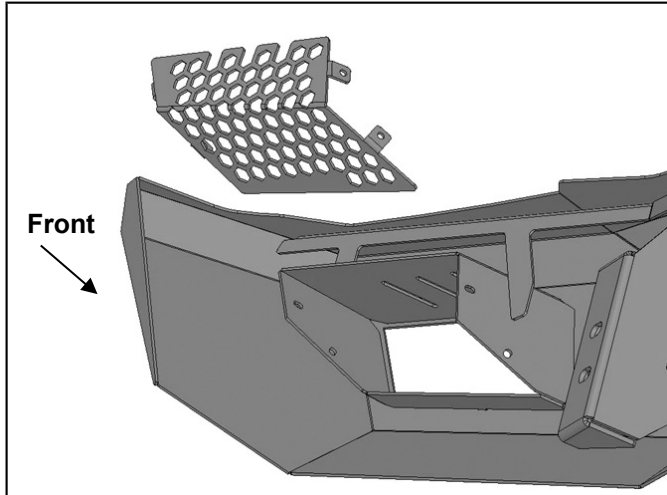
(Fig 7) Example of center light installation

- (2) 8mm x 16mm Hex Bolts
- (2) 8mm Lock Washers
- (2) 8mm Flat Washers

**LD1 FRONT BUMPER
2017-18 FORD SUPERDUTY F250-350**

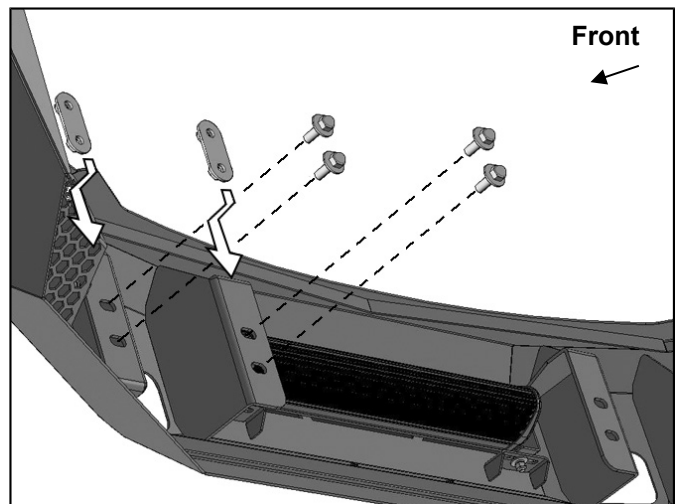
- (2) 8mm x 25mm Hex Bolts
- (4) 8mm Flat Washers
- (2) 8mm Lock Washers
- (2) 8mm Hex Nuts

Driver/left Side Installation Pictured

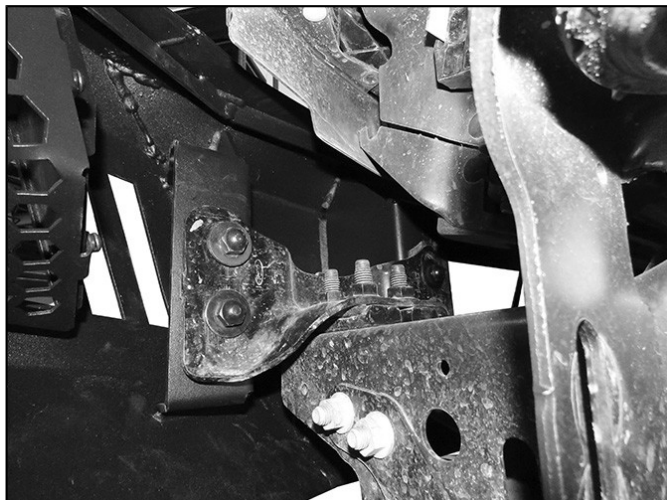


(Fig 8) Before installing Bumper, check for clearance around lights (not included). Remove screens for additional access or to clear lights as needed

WARNING! Do not crawl under bumper unless the bumper is properly supported on blocks or stands or the bumper may fall.



(Fig 9) Reuse factory bumper bolts and double nut plates to attach Bumper assembly to factory brackets. Driver/left side of Bumper and Bracket illustrated



(Fig 10) Driver/left side of Bumper and Bracket

- (2) 6mm x 20mm Button Head Screws
- (4) 6mm Flat Washers
- (2) 6mm Nylon Lock Nuts

