



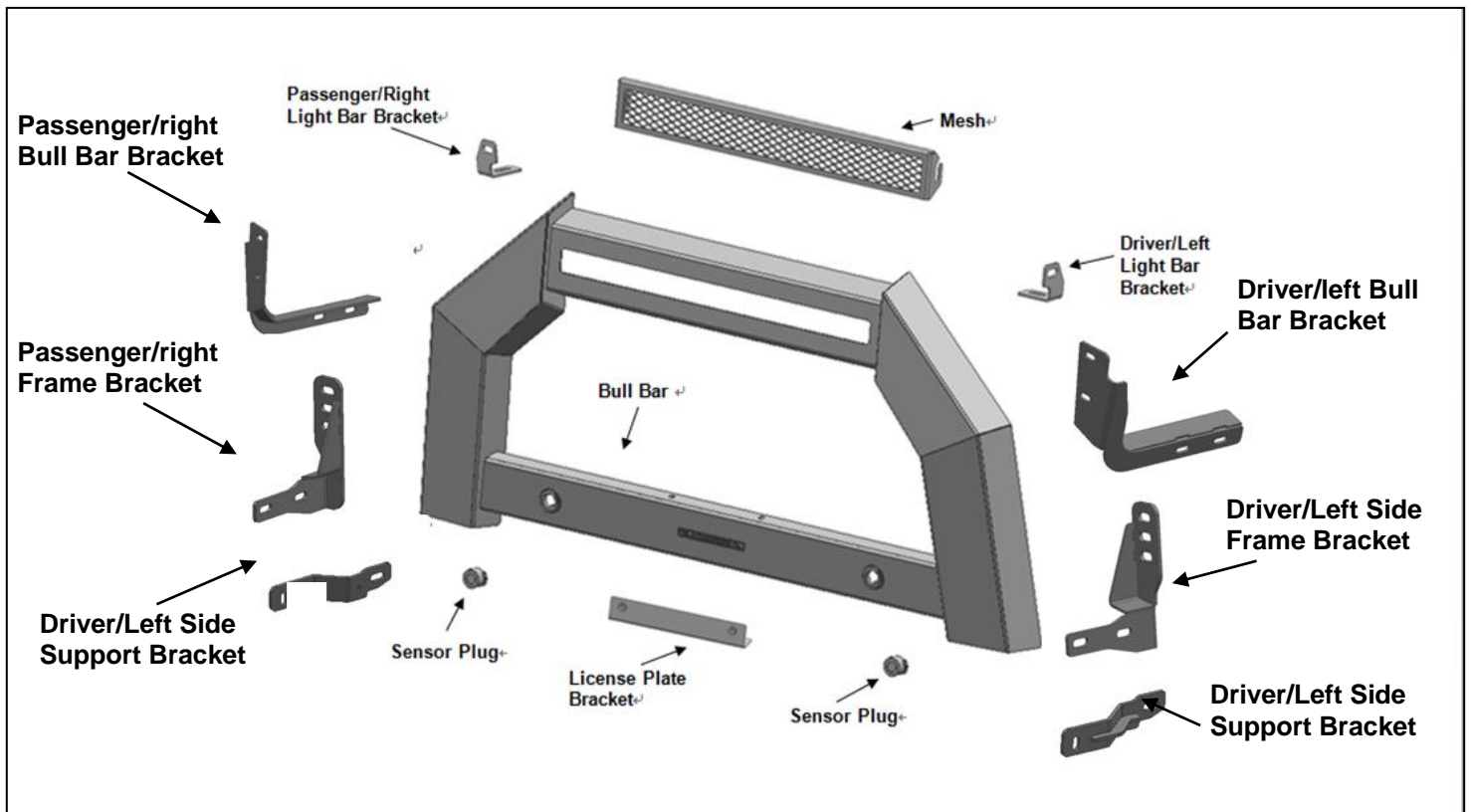
INSTALLATION INSTRUCTIONS

ARMOUR BULL BAR (NO LED Lights)
For 10-20 Toyota 4Runner
(Excl. 2014-20 Limited & 19-20 Nightshade Edition)

PART# AB-TO30-NL

PARTS LIST:

1	Bull Bar	2	10-1.5mm x 35mm Hex Bolts
1	Driver/Left Side Bull Bar Bracket	4	10-1.5mm x 25mm Hex Bolts
1	Passenger/Right Side Bull Bar Bracket	2	10-1.5mm x 45mm Hex Bolts
1	Driver/Left Side Frame Bracket	2	8mm Nylon Lock Nuts
1	Passenger/Right Side Frame Bracket	2	8-1.25mm x 20mm Hex Bolts
1	Driver/Left Side Support Bracket	2	8-1.25mm x 16mm Hex Bolts
1	Passenger/Right Side Support Bracket	8	8mm x 24mm x 2mm Flat Washers
1	Driver/Left Side Light Bar Bracket	4	8mm Lock Washers
1	Passenger/Right Side Light Bar Bracket	2	8mm Hex Nuts
1	Mesh	2	6-1.0mm x 20mm Combo Bolts
1	License Plate Bracket	2	6-1.0mm x 20mm Button Head Bolts
2	Rubber Sensor Plugs	4	6mm x 18mm x 1.6mm Flat Washers
2	12-1.25mm x 45mm Hex Bolts	2	6mm Lock Washers
2	12mm x 37mm x 3mm Flat Washers	2	6mm Hex Nuts
2	12mm Lock Washers	4	4mm x 10mm Button Head Bolts (Backup Accessories)
12	10mm x 30mm x 2.5mm Flat Washers	1	Wrench S=4 (Backup Accessories)
8	10mm Lock Washers	1	Wrench S=2.5
4	10-1.5mm Hex Nuts		



PROCEDURE:

REMOVE CONTENTS FROM BOX AND VERIFY ALL PARTS ARE PRESENT. READ INSTRUCTIONS CAREFULLY. CUTTING MAY BE REQUIRED. INSTALLATION MAY INTERFERE WITH FRONT MOUNTED SENSORS. NOTE: It may be necessary to remove/relocate front license plate and license plate bracket. It is not required, but strongly recommended. If local/state law requires a front license plate, license plate relocation kit is available.

1. From under the front of the vehicle, remove the driver side and passenger side plastic splash guards, (if equipped), and place them on a clean, stable work area, **(Figure 1)**. To make reinstallation easier, note type and location of all factory fasteners. The plastic center splash guard may also be removed for better access to bumper bracket hardware if necessary.
2. Starting on the driver side, remove the (3) factory bumper mount bolts located toward the outside of the bumper mount, **(Figure 2)**. Select the driver/left Frame Mounting Bracket. Line up the (3) slots in the Mounting Bracket with the (3) bolt locations for the factory bumper bracket. Reuse the (3) factory bolts to attach the Frame Mounting Bracket to the factory bumper bracket, **(Figures 3)**. Snug but do not tighten hardware at this time.
3. Next, select the driver/left support Bracket, Line up the holes in the Bracket with the holes in the end of the frame, Attach the Support Bracket to the frame with (1) 12-1.25mm x 45mm Hex Bolts, (1) 12mm x 37mm OD x 3mm Flat Washers, (1) 12mm Lock Washers and (1) 12mm Hex Nuts, Snug but do not tighten hardware at this time. **(Figure 4)**
4. Then, select the driver/left Bull Bar Bracket and driver/left support Bracket **(Figure 5)**. Attach the Bull Bar Bracket and driver/left support Bracket to the outside of the Frame Bracket with (2) 10mm x 35mm Hex Bolts, (4) 10mm x 30mm STD Flat Washers , (2) 10mm Lock Washers and (2) 10mm Hex Nuts, **(Figure 5)**.
5. Repeat **Steps 1—4** to install the passenger/right Frame Bracket , Bull Bar Bracket and Support Bracket.
6. Relocation of front license plate is not required, but strongly recommended. Attach the License Plate Bracket to the Bull Bar with (2) 6mm Button Head Bolts, (4) 6mm Flat Washers, (2) 6mm Lock Washers and (2) 6mm Hex Nuts, **(Figure 6)**. Use (2) 6mm Combination Bolts to attach the front license plate to the Bracket, **(Figure 6)**.
7. **Mesh and LED Light installation, (LED light sold separately)**. Select the driver/left side Light Bar Bracket. Attach the Bracket to the back of the mounting plate on the Bull Bar with (1) 8mm x 20mm Hex Bolt, (2) 8mm Flat Washers, (1) 8mm Lock Washer and (1) 8mm Hex Nut, **(Figure 7)**. Repeat this step to attach the passenger/right side Light Bar Bracket to the back of the Bull Bar. Do not tighten hardware.

LED Light Installation

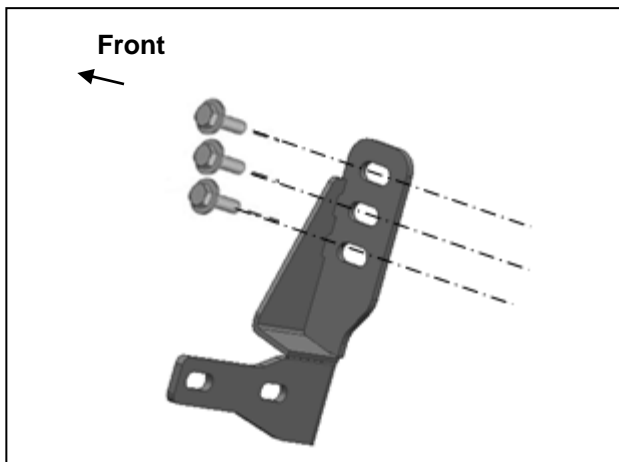
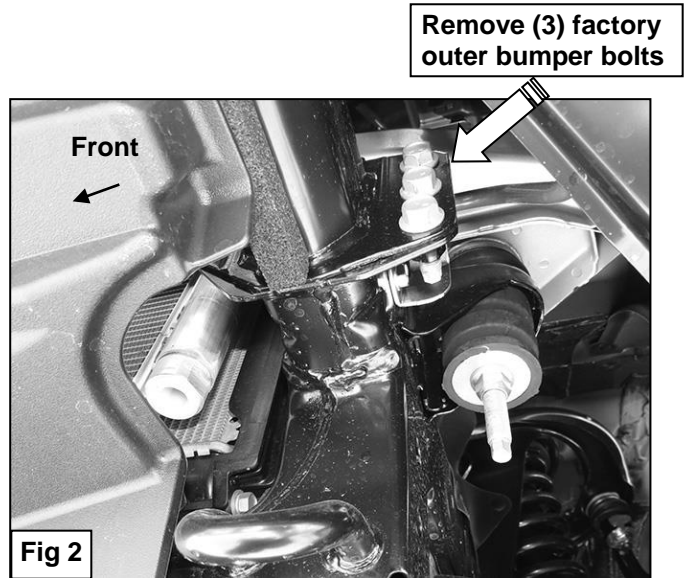
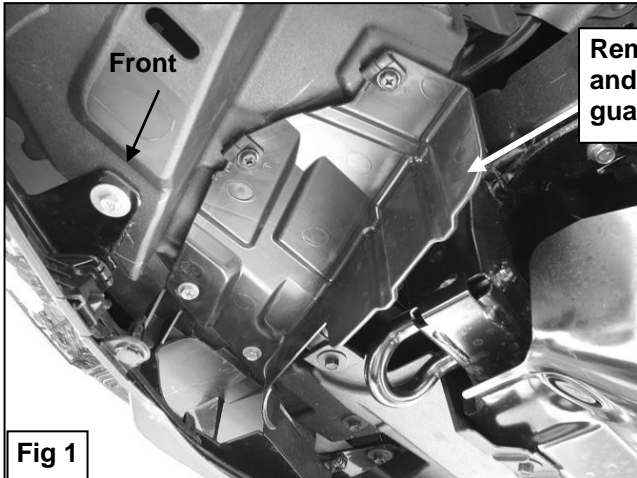
- a. Use (2) 8mm x 16mm Hex Bolts, (2) 8mm Lock Washers and (2) 8mm Flat Washers to attach the Light Bar Brackets to the Bull Bar, **(Figure 8)**.
- b. Follow the light manufacturer's instructions to attach the Bull Bar.
- c. Follow light manufacturer's instructions to properly wire the Bull Bar.

Mesh installation

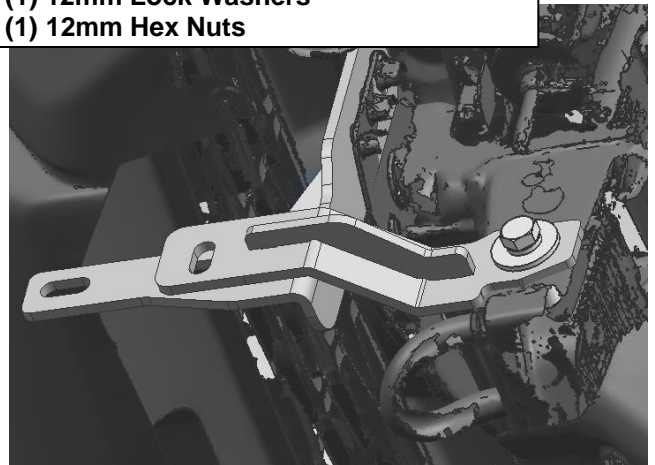
- a. Use (2) 8mm x 16mm Hex Bolts, (4) 8mm Flat Washers, (2) 8mm Lock Washers and (2) 8mm Hex Nuts to attach the Mesh to the inside surface of the Light Bar Brackets, **(Figure 9)**.
- b. Level and adjust the Brackets to the Mesh Panel and fully tighten hardware.
8. With assistance, hold up the assembled Bull Bar to the Bull Bar Brackets. Align the (2) bottom holes on the Uprights with the Brackets. Bolt the assembled Bull Bar to the Brackets with (4) 10mm x 25mm Hex Bolts, (4) 10mm Lock Washers and (4) 10mm x 30mm Flat Washers, **(Figures 11)**.
9. Level and adjust the Bull Bar properly and tighten all hardware.
10. Select the (2) Sensor Plugs. Push the sensor plugs into the sensor sleeves behind the Bull Bar **(Figure 11)**.
11. Level and adjust the Bull Bar properly and tighten all hardware. Reinstall the tow hook if removed.
12. Do periodic inspections to the installation to make sure that all hardware is secure and tight.

To protect your investment, wax this product after installing. Regular waxing is recommended to add a protective layer over the finish. Do not use any type of polish or wax that may contain abrasives that could damage the finish. Mild soap may be used to clean the Bull Bar.

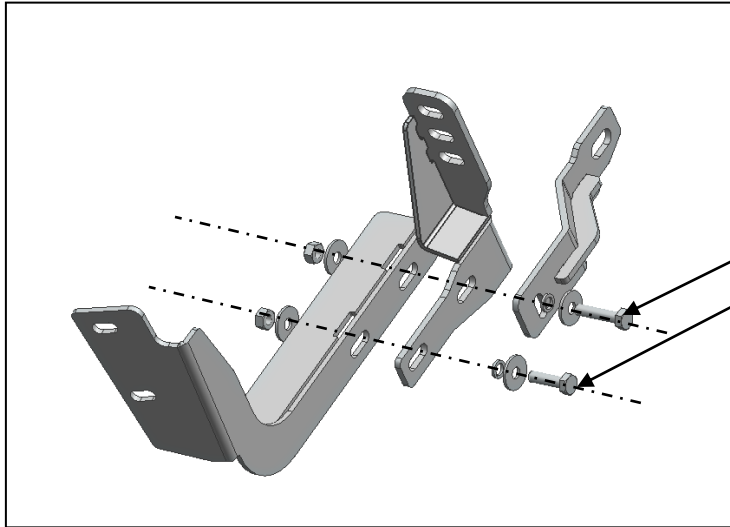
Driver/left Side Installation Pictured



- (1) 12mm x 45mm Hex Bolts
- (1) 12mm x 37mm Flat Washers
- (1) 12mm Lock Washers
- (1) 12mm Hex Nuts

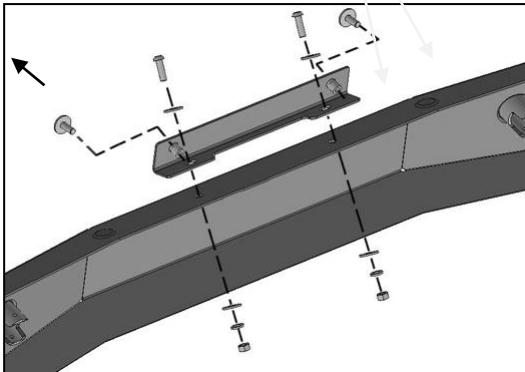


Driver/left Side Installation Pictured



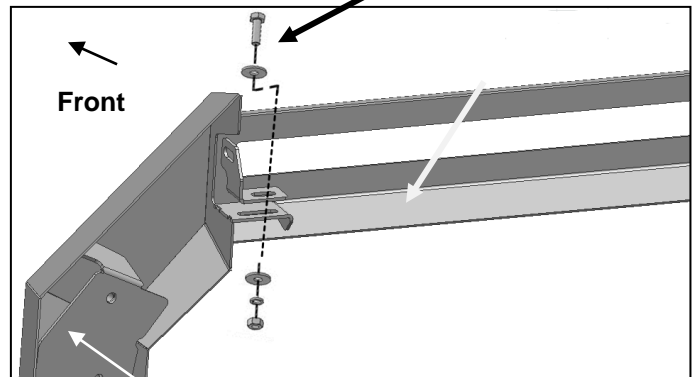
- (1) 10mm x 45mm Hex Bolts
- (1) 10mm x 35mm Hex Bolts
- (4) 10mm Flat Washers
- (4) 10mm Lock Washers
- (2) 10mm Hex Nuts

(Fig 5) Attach driver/left Bull Bar Bracket and driver/left support Bracket to outside of Mounting Bracket



(Fig 6) License Plate Bracket attached to the Bull Bar

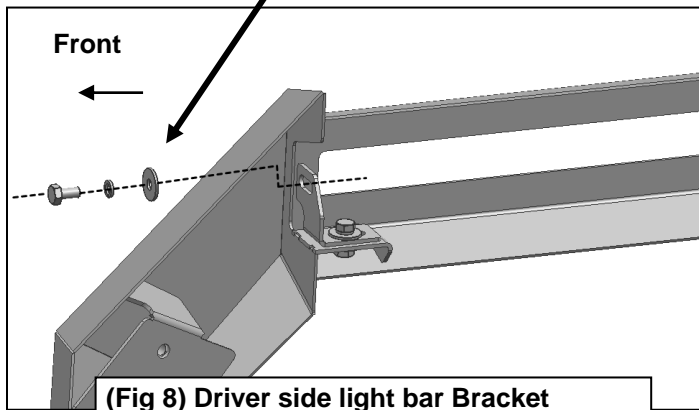
- (1) 8mm x 20mm Hex Bolt
- (2) 8mm Flat Washers
- (1) 8mm Lock Washer
- (1) 8mm Hex Nut



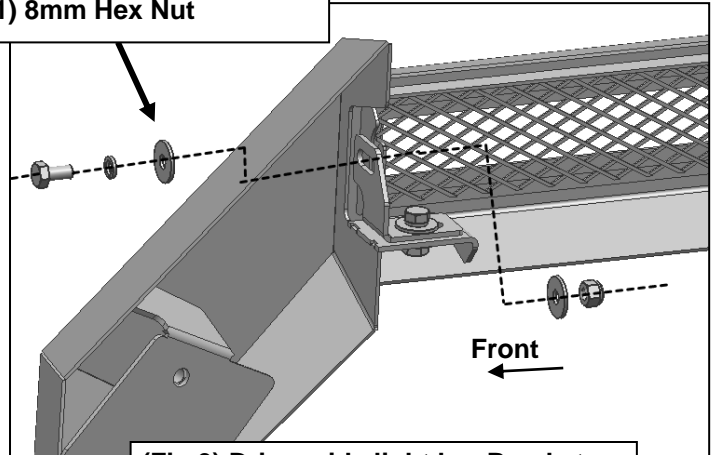
(Fig 7) Driver side light bar Bracket attached to the Bull Bar

Driver Side Installation Pictured

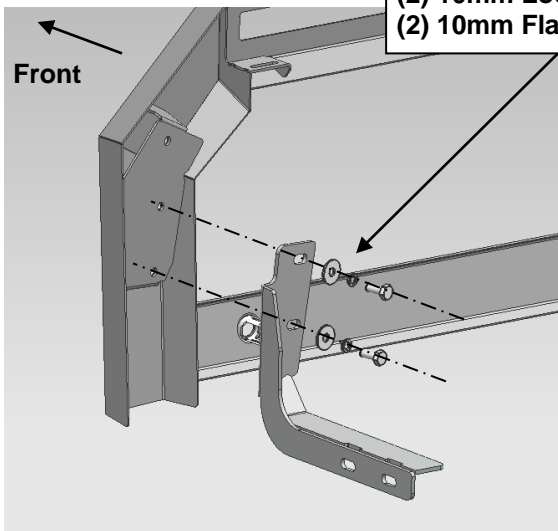
8mm x 16mm Hex Bolt
8mm Lock Washer
8mm Flat Washer



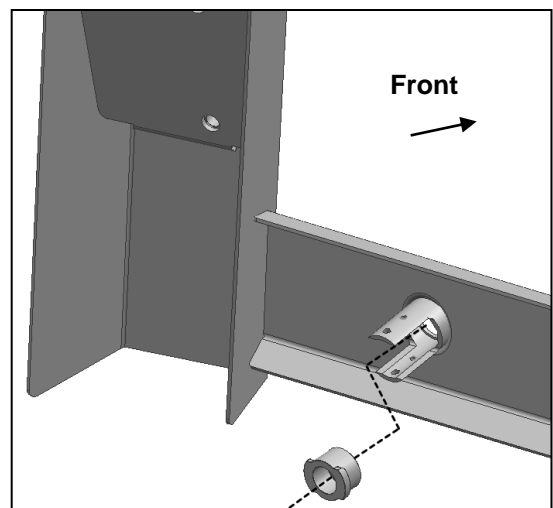
(1) 8mm x 16mm Hex Bolt
(2) 8mm Flat Washers
(1) 8mm Lock Washer
(1) 8mm Hex Nut



(2) 10mm x 25mm Hex Bolts
(2) 10mm Lock Washers
(2) 10mm Flat Washers



(Fig 10) Attach Bull Bar Bracket to back of Bull Bar



(Fig 11) Attach Sensor Plug into Sensor Sleeve