



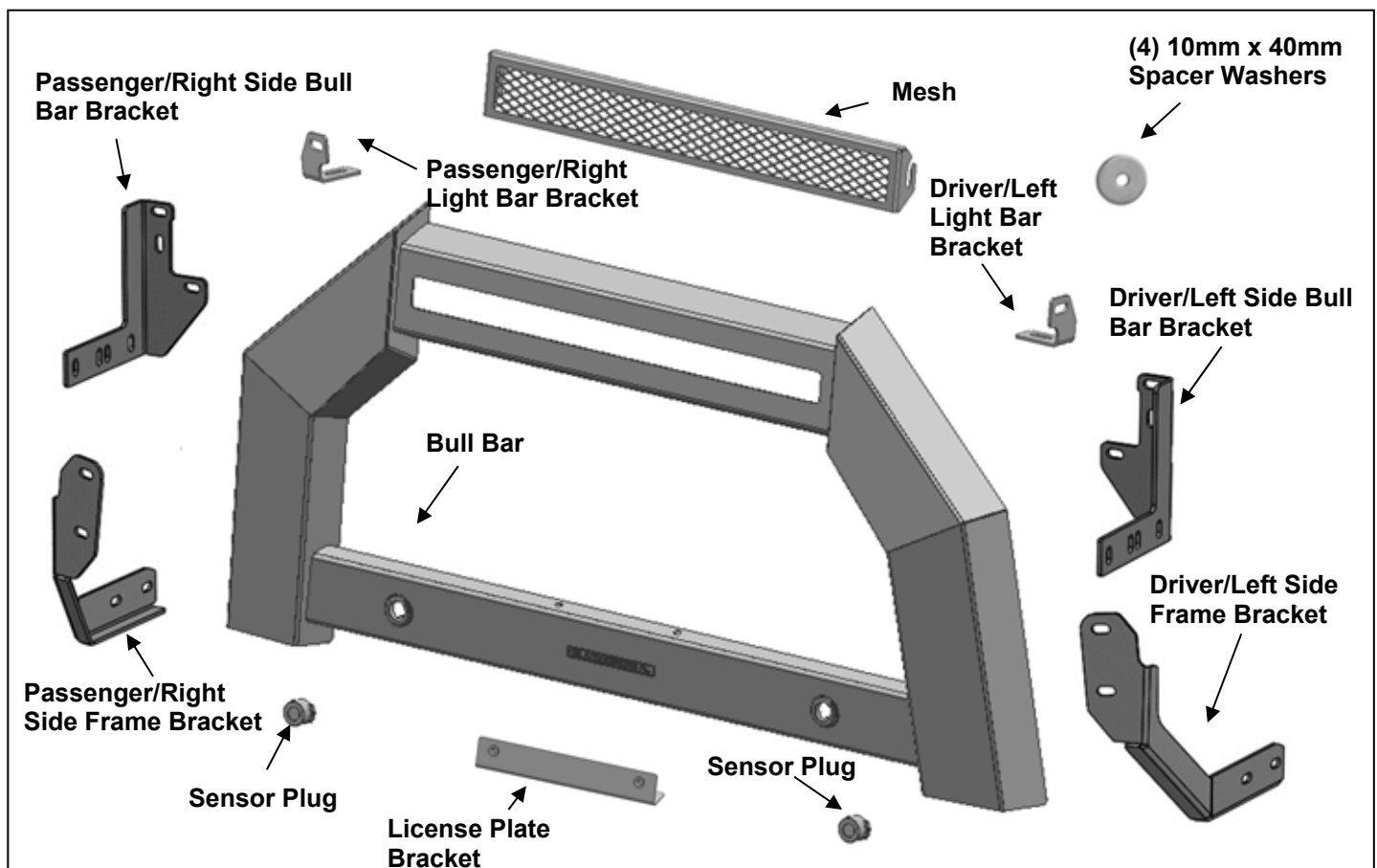
# **INSTALLATION INSTRUCTIONS**

**ARMOUR BULL BAR  
FOR 05-18 TOYOTA TACOMA**

**PART#TO20**

**PARTS LIST:**

1	Bull Bar	6	10mm Nylon Lock Nuts
1	Driver/Left Side Frame Bracket	2	8mm Nylon Lock Nuts
1	Passenger/Right Side Frame Bracket	2	8-1.25mm x 20mm Hex Bolts
1	Driver/Left Side Bull Bar Bracket	2	8-1.25mm x 16mm Hex Bolts
1	Passenger/Right Bull Bar Bracket	8	8mm x 24mm x 2mm Flat Washers
1	Driver/Left Side Light Bar Bracket	4	8mm Lock Washers
1	Passenger/Right Side Light Bar Bracket	2	8mm Hex Nuts
1	Mesh	2	6-1.0mm x 20mm Combo Bolts
1	License Plate Bracket	2	6-1.0mm x 20mm Button Head Bolts
2	Rubber Sensor Plugs	4	6mm x 18mm x 1.6mm Flat Washers
2	10-1.5mm x 120mm Hex Bolts	2	6mm Lock Washers
4	10-1.5mm x 30mm Hex Bolts	2	6mm Hex Nuts
4	10-1.5mm x 25mm Hex Bolts	4	4mm x 10mm Button Head Bolts (Backup Accessories)
4	10mm x 40mm x 2.5mm Flat Washer (Spacer)	1	Wrench S=4 (Backup Accessories)
16	10mm x 30mm x 2.5mm Flat Washers	1	Wrench S=2.5
4	10mm Lock Washers		



**PROCEDURE:**

1. REMOVE CONTENTS FROM BOX. VERIFY ALL PARTS ARE PRESENT. READ INSTRUCTIONS CAREFULLY BEFORE STARTING INSTALLATION.

2. Start installation at the passenger side, front of the vehicle. Remove the (2) outer factory hex nuts attaching the bumper mount to the end of the frame, **(Figure 1)**. **NOTE:** It may be necessary to temporarily remove the factory tow hook from the passenger side, **(Figure 2)**.
3. Select the passenger side frame bracket. Slide the Bracket over the (2) threaded studs. Secure the Bracket to the studs with the factory hex nuts, **(Figures 5 & 6)**. Leave hardware loose.
4. Slide (1) 10mm x 40mm Spacer Washer between the Frame Bracket and the frame cross member, **(Figure 4)**. Insert (1) 10mm x 120mm Hex Bolt with (1) 10mm x 30mm Flat Washer and (1) 10mm x 40mm Spacer Washer into and through the hole in the back of the cross member, **(Figures 3 & 6)**. Make sure the Spacer Washer is against the cross member covering the large hole, **(Figures 3 & 6)**. Push the long bolt through the outer Spacer Washer and Frame Bracket. Secure the Bracket to the long Bolt with (1) 10mm x 30mm Large Flat Washer and (1) 10mm Nylon Lock Nut, **(Figures 5 & 6)**. Leave hardware loose at this time.
5. Repeat **Steps 2—4** for driver side Frame Bracket installation.
6. Select (1) passenger side Bull Bar Bracket. Position the Bull Bar Bracket on the outside of the Frame Bracket. Use the included (2) 10mm x 30mm Hex Bolts, (4) 10mm x 30mm Flat Washers, (2) 10mm Nylon Lock Nuts to attach the Bull Bar Bracket to the Frame Bracket, **(Figure 8)**. **NOTE:** Vehicles with model years from 2005-2015, use the forward mounting position with Bull Bar Bracket pushed forward to attach Brackets, **(Figure 7A)**, For model years 2016-2017, use the “back” mounting position with Bull Bar Bracket pushed in to attach Brackets, **(Figure 7B)**. Repeat this step to install the driver side Bull Bar Bracket. Do not tighten hardware at this time.
7. Relocation of front license plate is not required, but strongly recommended.
  - a. Attach the License Plate Bracket to the Bull Bar with (2) 6mm Button Head Bolts, (4) 6mm Flat Washers, (2) 6mm Lock Washers and (2) 6mm Hex Nuts, **(Figure 9)**. Use (2) 6mm Combination Bolts to attach the front license plate to the Bracket, **(Figure 9)**.
8. **Mesh and LED Light installation, (LED light sold separately)**. Select the driver/left side Light Bar Bracket. Attach the Bracket to the back of the mounting plate on the Bull Bar with (1) 8mm x 20mm Hex Bolt, (2) 8mm Flat Washers, (1) 8mm Lock Washer and (1) 8mm Hex Nut, **(Figure 10)**. Repeat this step to attach the passenger/right side Light Bar Bracket to the back of the Bull Bar. Do not tighten hardware.

#### **LED Light Installation**

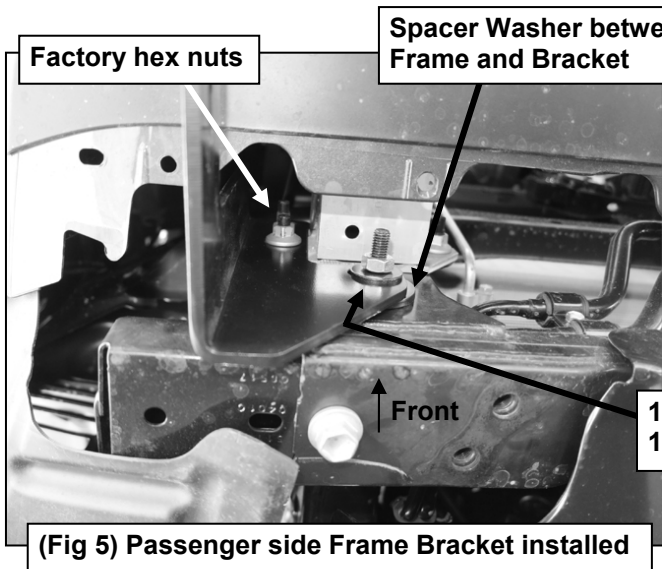
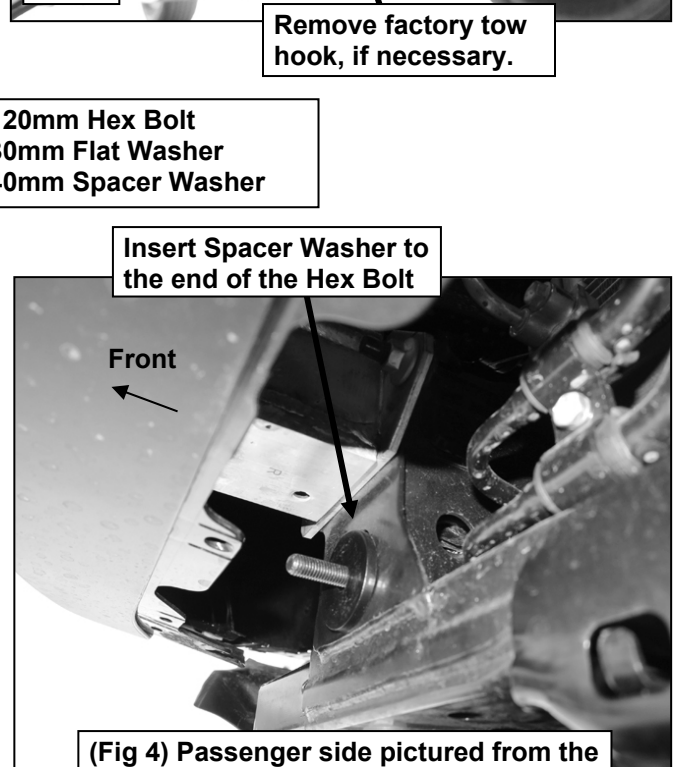
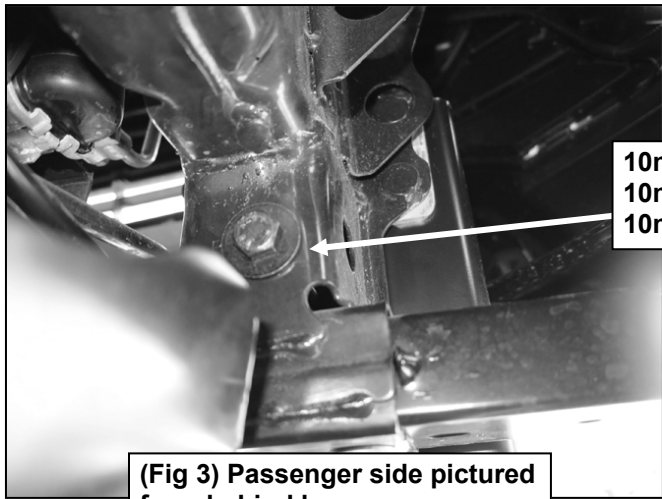
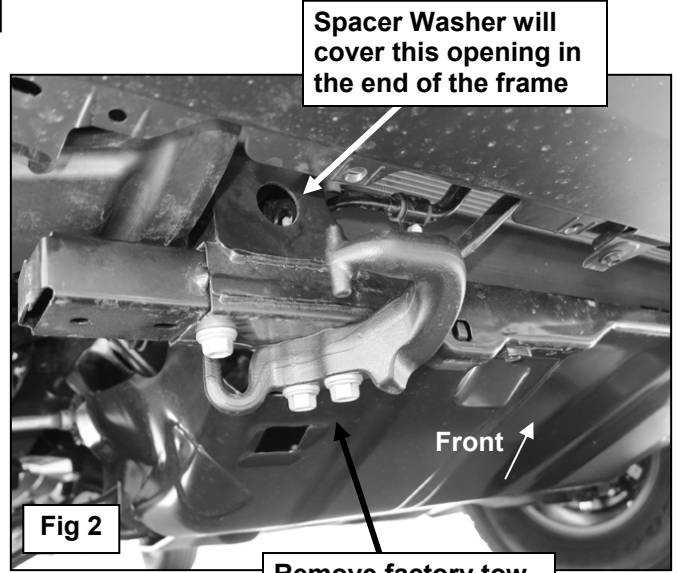
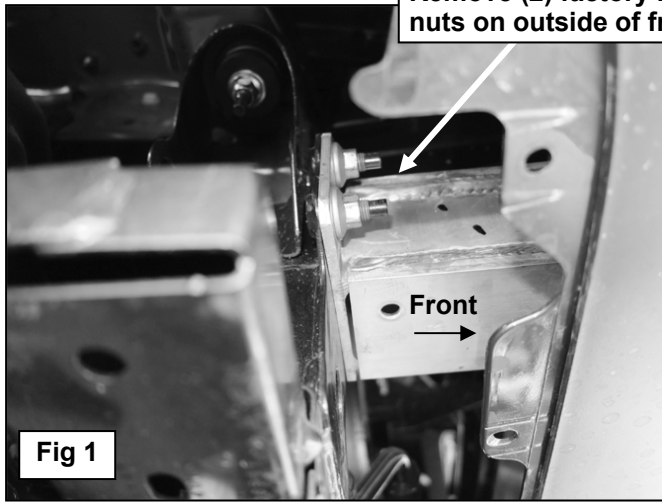
- a. Use (2) 8mm x 16mm Hex Bolts, (2) 8mm Lock Washers and (2) 8mm Flat Washers to attach the Light Bar Brackets to the Bull Bar, **(Figure 11)**.
- b. Follow the light manufacturer’s instructions to attach the Bull Bar.
- c. Follow light manufacturer’s instructions to properly wire the Bull Bar.

#### **Mesh installation**

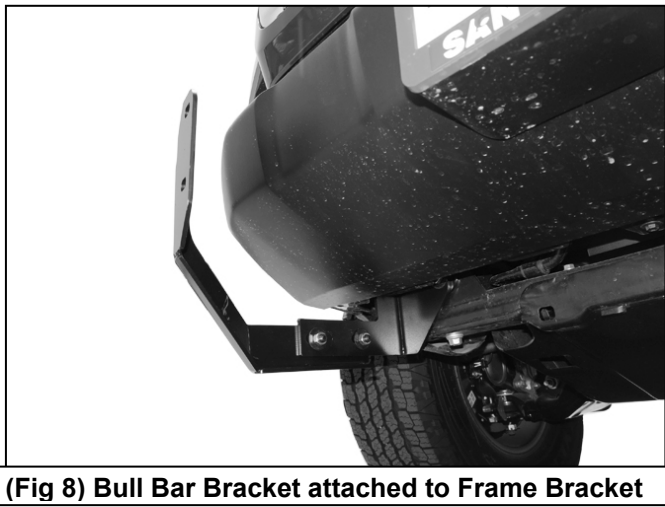
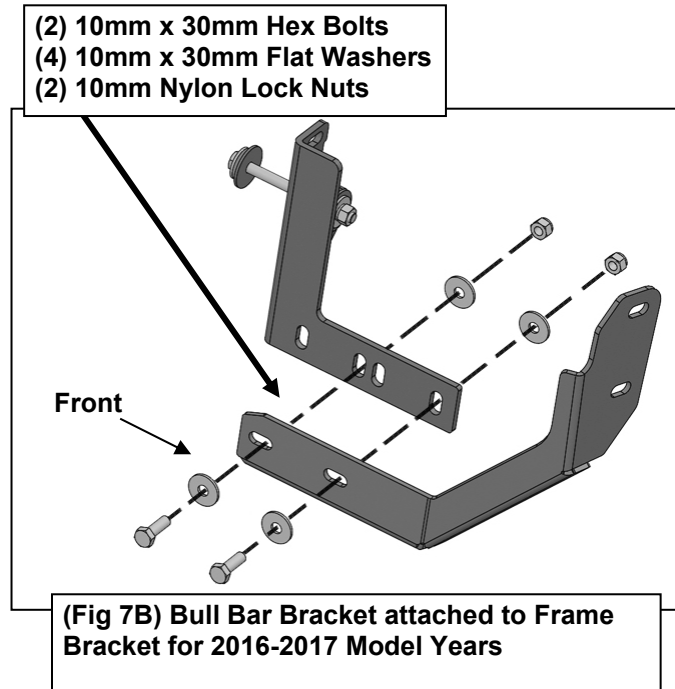
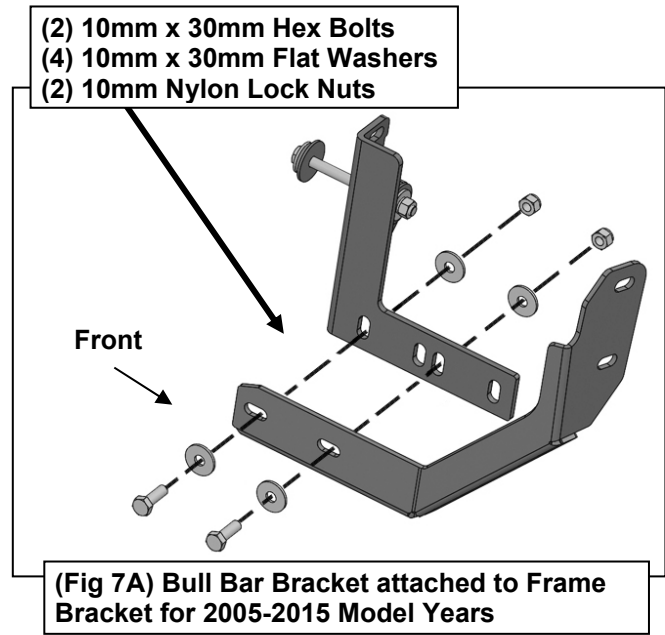
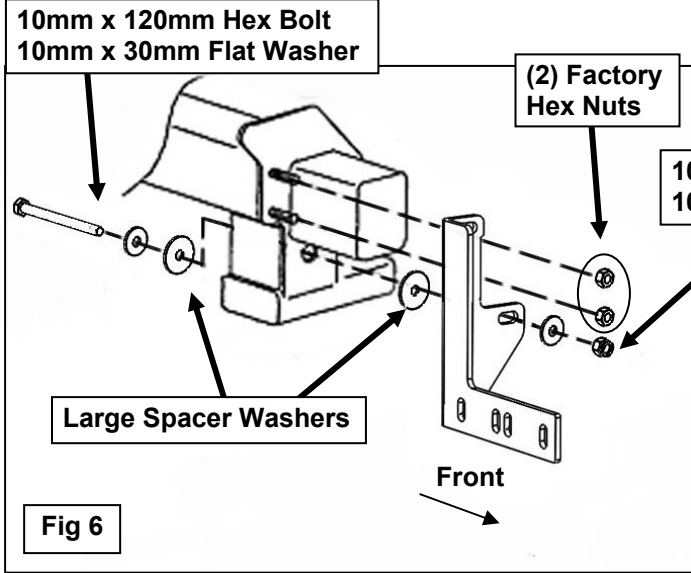
- a. Use (2) 8mm x 16mm Hex Bolts, (4) 8mm Flat Washers, (2) 8mm Lock Washers and (2) 8mm Hex Nuts to attach the Mesh to the inside surface of the Light Bar Brackets, **(Figure 12)**.
- b. Level and adjust the Brackets to the Mesh Panel and fully tighten hardware.
9. With assistance, hold up the assembled Bull Bar to the Bull Bar Brackets. Align the (2) bottom holes on the Uprights with the Brackets. Bolt the assembled Bull Bar to the Brackets with (4) 10mm x 25mm Hex Bolts, (4) 10mm Lock Washers and (4) 10mm x 30mm Flat Washers, **(Figures 13 & 14)**.
10. Level and adjust the Bull Bar properly and tighten all hardware.
11. Select the (2) Sensor Plugs. Push the sensor plugs into the sensor sleeves behind the Bull Bar, **(Figure 15)**.
12. Level and adjust the Bull Bar properly and tighten all hardware. Reinstall the tow hook if removed.
13. Do periodic inspections to the installation to make sure that all hardware is secure and tight.

**To protect your investment**, wax this product after installing. Regular waxing is recommended to add a protective layer over the finish. Do not use any type of polish or wax that may contain abrasives that could damage the finish. Mild soap may be used to clean the Bull Bar.

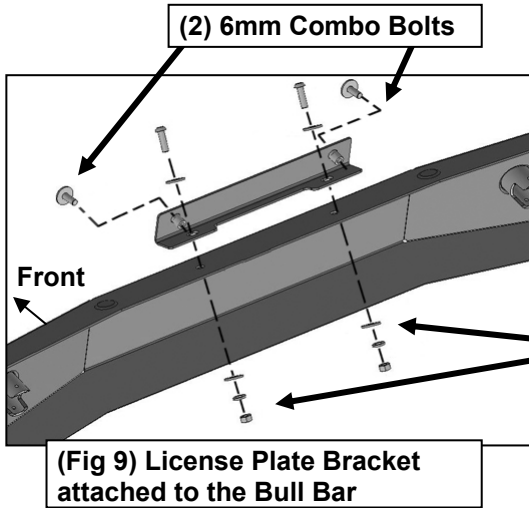
**Passenger Side Installation Pictured**



Passenger Side Installation Pictured

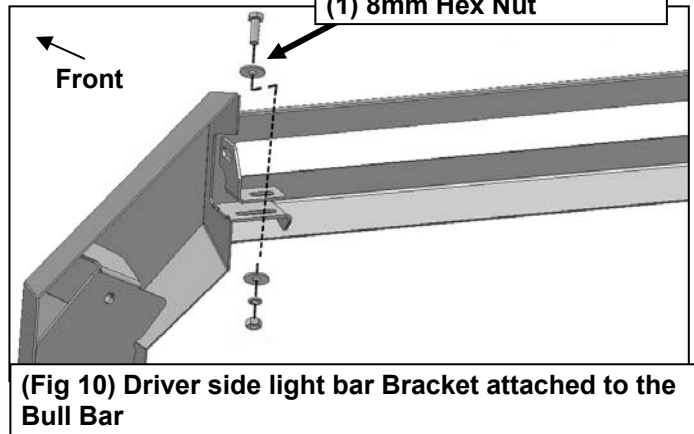


### Driver side Installation Pictured

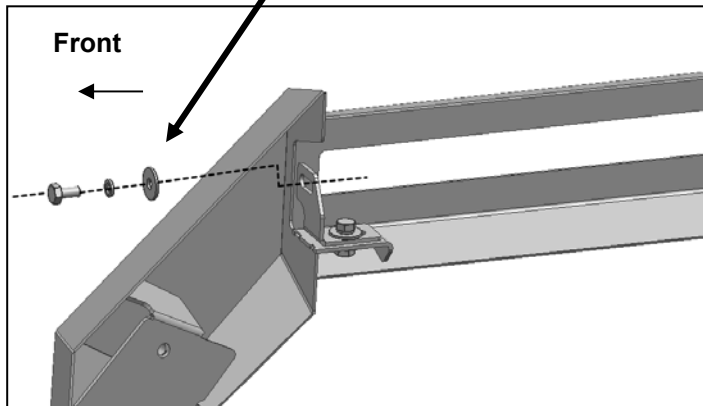


- (2) 6mm Button Head Bolts
- (4) 6mm Flat Washers
- (2) 6mm Lock Washers
- (2) 6mm Hex Nuts

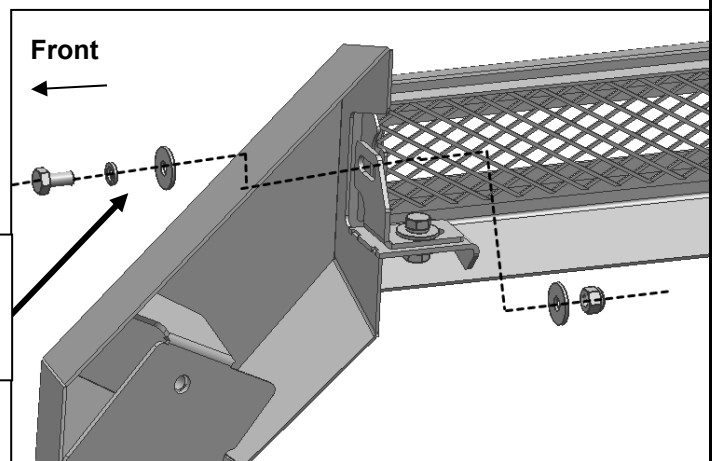
- (1) 8mm x 20mm Hex Bolt
- (2) 8mm Flat Washers
- (1) 8mm Lock Washer
- (1) 8mm Hex Nut



- 8mm x 16mm Hex Bolt
- 8mm Lock Washer
- 8mm Flat Washer

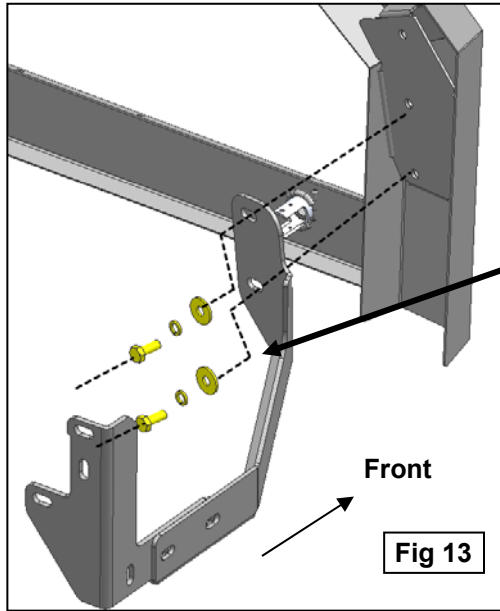


- (1) 8mm x 16mm Hex Bolt
- (2) 8mm Flat Washers
- (1) 8mm Lock Washer
- (1) 8mm Hex Nut

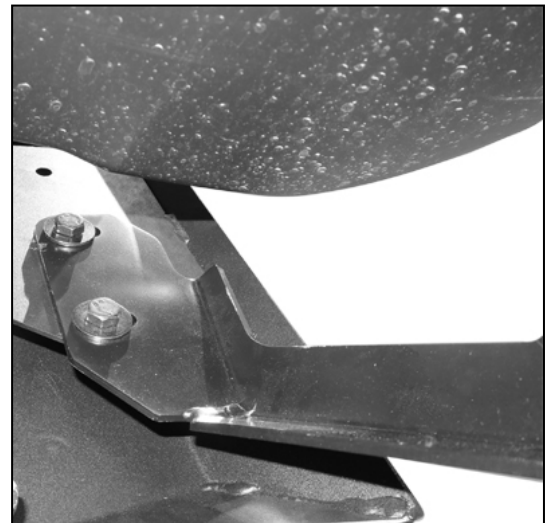


(Fig 12) Driver side light bar Bracket attached to Mesh hardware

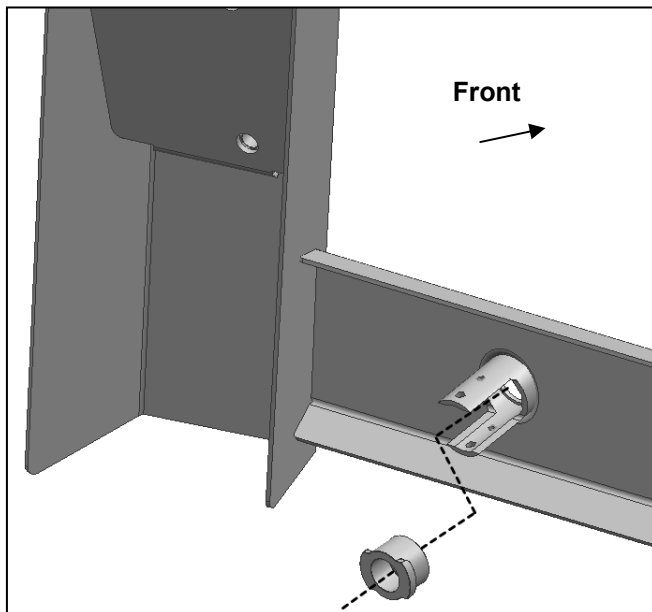
### Passenger Side Installation Pictured



- (2) 10mm x 25mm Hex Bolts
- (2) 10mm Lock Washers
- (2) 10mm x 30mm Flat Washers



(Fig 14) Passenger/Right Side complete installation



(Fig 15) Attach Sensor Plug into Sensor Sleeve