



**BLACK HORSE  
OFF ROAD**

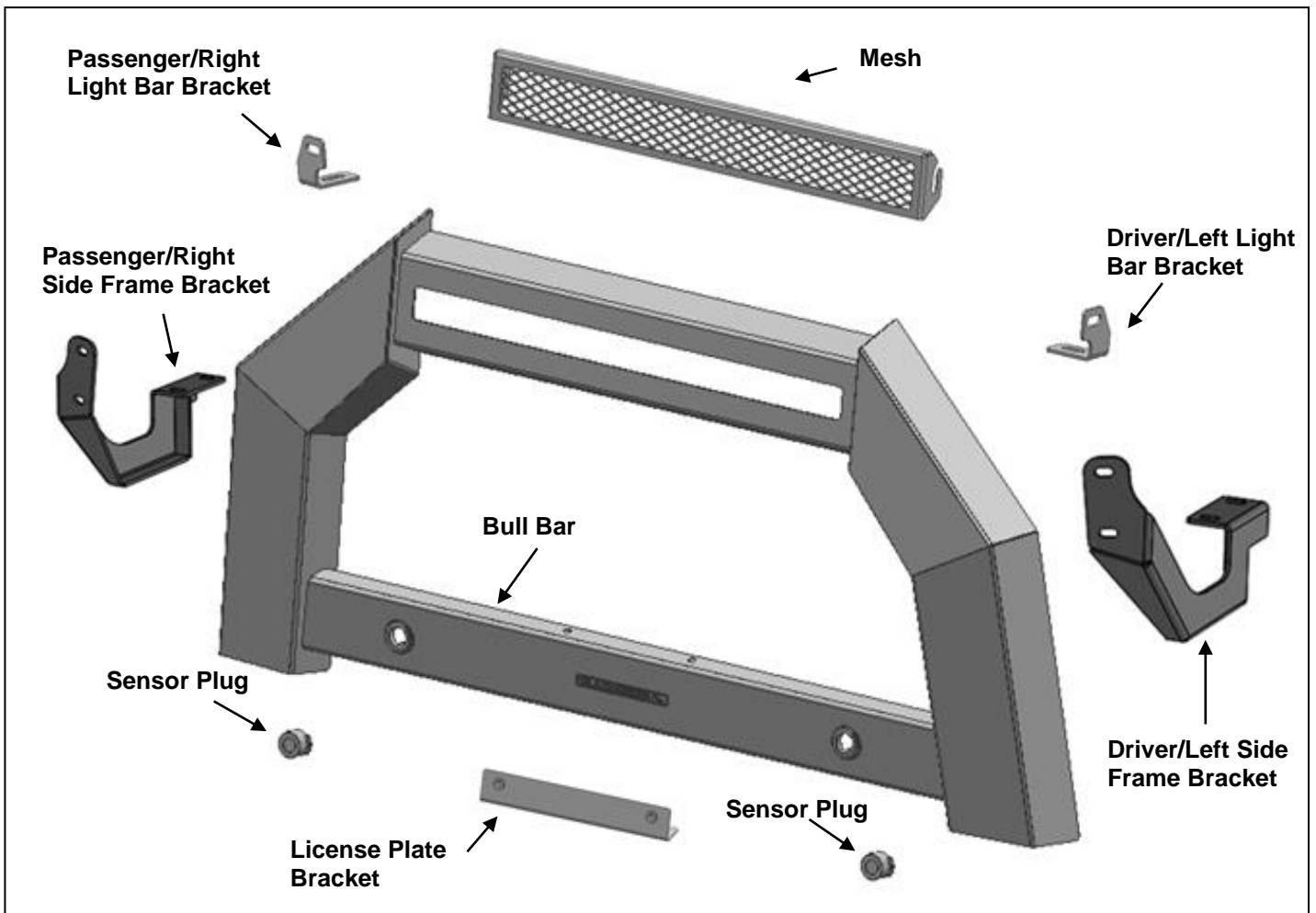
# **INSTALLATION INSTRUCTIONS**

**ARMOUR BULL BAR  
FOR 2005-2018 NISSAN FRONTIER**

**PART#AB-NI25**

**PARTS LIST:**

1	Bull Bar	2	8mm Nylon Lock Nuts
1	Driver/left side Frame Bracket	2	8-1.25mm x 20mm Hex Bolts
1	Passenger/right side Frame Bracket	2	8-1.25mm x 16mm Hex Bolts
1	Driver/Left Side Light Bar Bracket	8	8mm x 24mm x 2mm Flat Washers
1	Passenger/Right Side Light Bar Bracket	4	8mm Lock Washers
1	Mesh	2	8mm Hex Nuts
1	License Plate Bracket	2	6-1.0mm x 20mm Combo Bolts
2	Rubber Sensor Plugs	2	6-1.0mm x 20mm Button Head Bolts
4	10mm Lock Washers	4	6mm x 18mm x 1.6mm Flat Washers
4	12mm Lock Washers	2	6mm Lock Washers
4	10mm x 30mm OD x 2.5mm Flat Washers	2	6mm Hex Nuts
4	12mm x 37mm OD x 3mm Flat Washers	4	4mm x 10mm Button Head Bolts (Backup Accessories)
4	10-1.50mm x 25mm Hex Bolts	1	Wrench S=4 (Backup Accessories)
4	12-1.25mm x 35mm "Fine Thread" Hex Bolts	1	Wrench S=2.5



**PROCEDURE:**

**REMOVE CONTENTS FROM BOX. VERIFY ALL PARTS ARE PRESENT. READ INSTRUCTIONS CAREFULLY BEFORE STARTING INSTALLATION. MAY REQUIRE CUTTING. INSTALLATION MAY INTERFERE WITH FRONT MOUNTED SENSORS. NOT RECOMMENDED FOR VEHICLES WITH OPTIONAL "ACTIVE" LASER GUIDED CRUISE CONTROL SYSTEMS.**

1. Start installation from under the front of the vehicle, **(Figure 1)**. Remove the factory tow hook, (if equipped), located on the driver side. On vehicles without tow hooks, locate and remove the plastic cover for the tow hook opening on the splash guard, **(Figures 2 & 3)**. **NOTE:** The tow hooks will not be reinstalled. It may be necessary to remove the air dam. Move air dam to stable working area.
2. Select the driver side Frame Bracket, **(Figure 4)**. Slide the Bracket through the tow hook opening and align the Bracket to the (2) factory threaded holes on the frame channel. **NOTE:** If necessary, carefully cut slots around the tow hook opening on the plastic splash guard to allow the Brackets to pass through. Remove as little plastic as possible for a clean installation.
3. Use the included (2) 12-1.25 x 40mm "Fine Thread" Hex Bolts, (2) 12mm Lock Washers, and (2) 12mm Flat Washers to attach the Bracket to the Frame, **(Figures 4 & 5)**. Do not tighten hardware.
4. Relocation of front license plate is not required, but strongly recommended.
  - a. Attach the License Plate Bracket to the Bull Bar with (2) 6mm Button Head Bolts, (4) 6mm Flat Washers, (2) 6mm Lock Washers and (2) 6mm Hex Nuts, **(Figure 6)**. Use (2) 6mm Combination Bolts to attach the front license plate to the Bracket, **(Figure 6)**.
5. **Mesh and LED Light installation, (LED light sold separately)**. Select the driver/left side Light Bar Bracket. Attach the Bracket to the back of the mounting plate on the Bull Bar with (1) 8mm x 20mm Hex Bolt, (2) 8mm Flat Washers, (1) 8mm Lock Washer and (1) 8mm Hex Nut, **(Figure 7)**. Repeat this step to attach the passenger/right side Light Bar Bracket to the back of the Bull Bar. Do not tighten hardware.

**LED Light Installation**

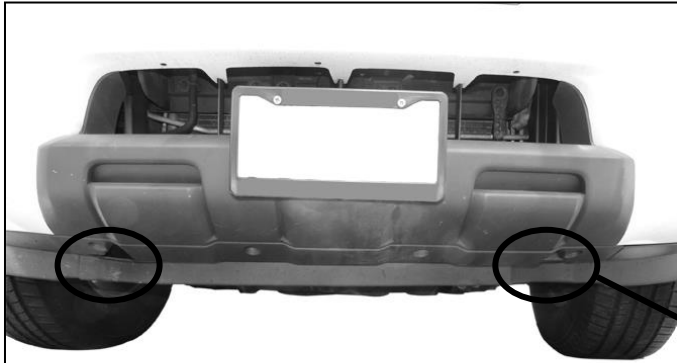
- a. Use (2) 8mm x 16mm Hex Bolts, (2) 8mm Lock Washers and (2) 8mm Flat Washers to attach the Light Bar Brackets to the Bull Bar, **(Figure 8)**.
- b. Follow the light manufacturer's instructions to attach the Bull Bar.
- c. Follow light manufacturer's instructions to properly wire the Bull Bar.

**Mesh installation**

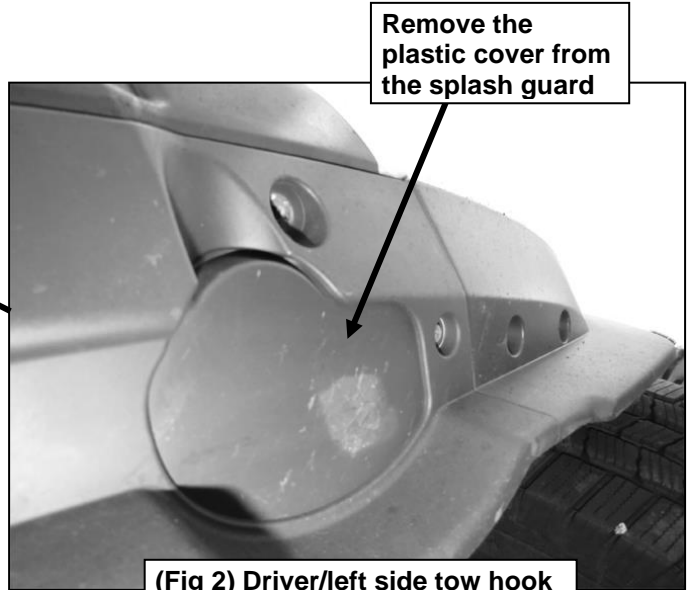
- a. Use (2) 8mm x 16mm Hex Bolts, (4) 8mm Flat Washers, (2) 8mm Lock Washers and (2) 8mm Hex Nuts to attach the Mesh to the inside surface of the Light Bar Brackets, **(Figure 9)**.
- b. Level and adjust the Brackets to the Mesh Panel and fully tighten hardware.
6. With assistance, hold up the assembled Bull Bar to the Bull Bar Brackets. Align the (2) bottom holes on the Uprights with the Brackets. Bolt the assembled Bull Bar to the Brackets with (4) 10mm x 25mm Hex Bolts, (4) 10mm Lock Washers and (4) 10mm x 30mm Flat Washers, **(Figures 10 & 11)**.
7. Level and adjust the Bull Bar properly and tighten all hardware.
8. Select the (2) Sensor Plugs. Push the sensor plugs into the sensor sleeves behind the Bull Bar, **(Figure 12)**.
9. Level and adjust the Bull Bar properly and tighten all hardware. Reinstall the tow hook if removed.
10. Do periodic inspections to the installation to make sure that all hardware is secure and tight.

**To protect your investment**, wax this product after installing. Regular waxing is recommended to add a protective layer over the finish. Do not use any type of polish or wax that may contain abrasives that could damage the finish. Mild soap may be used to clean the Bull Bar.

### Driver Side Installation Pictured

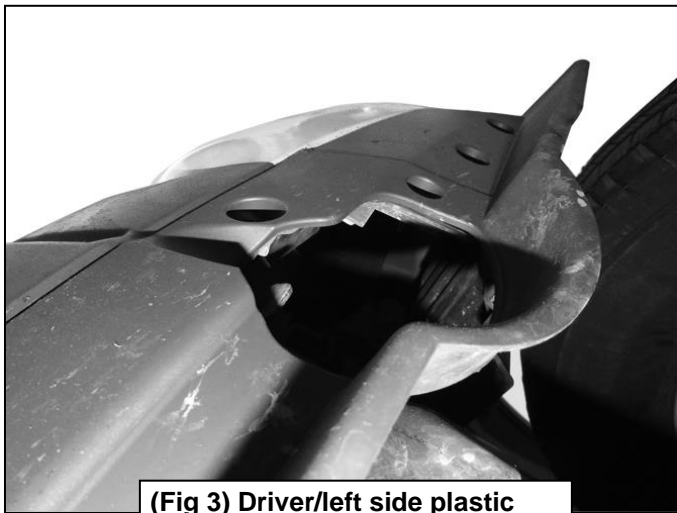


(Fig 1) Front Splash Guard with tow hook openings



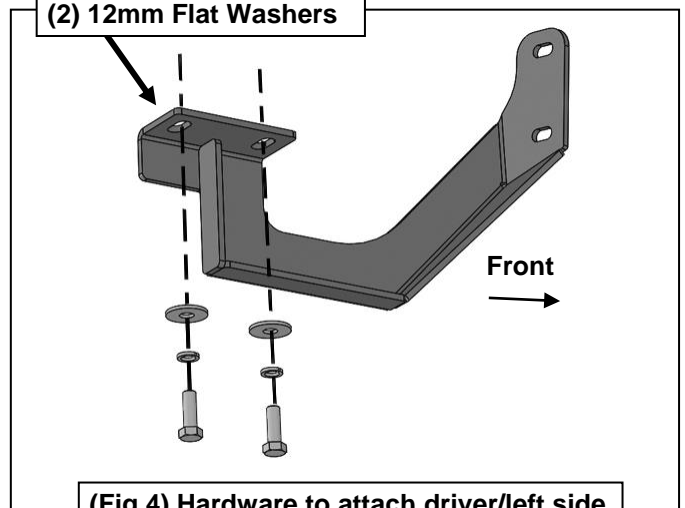
(Fig 2) Driver/left side tow hook opening with plastic cover

**NOTE:** Slide Bracket through the tow hook opening, (Figure 3). If necessary, make small cuts to allow Bracket to pass through. Remove as little plastic as possible.

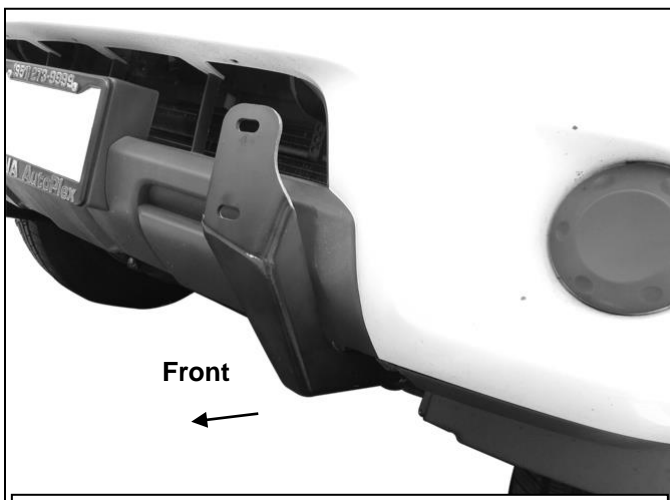


(Fig 3) Driver/left side plastic cover removed on splash guard

Replace factory tow hook bolts with the included:  
(2) 12mm Hex Bolts  
(2) 12mm Lock Washers  
(2) 12mm Flat Washers

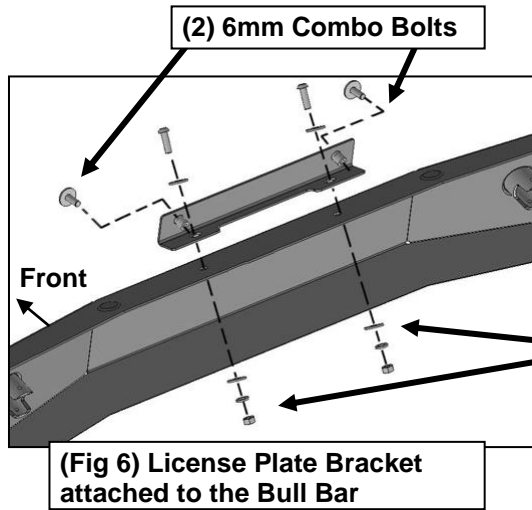


(Fig 4) Hardware to attach driver/left side Frame Bracket to Frame channel



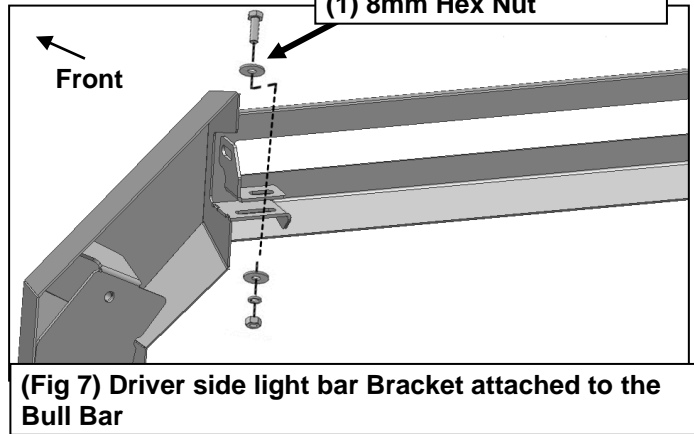
(Fig 5) Driver/left Frame Bracket installed (splash guard removed for instruction purposes ONLY)

### Driver Side Installation Pictured

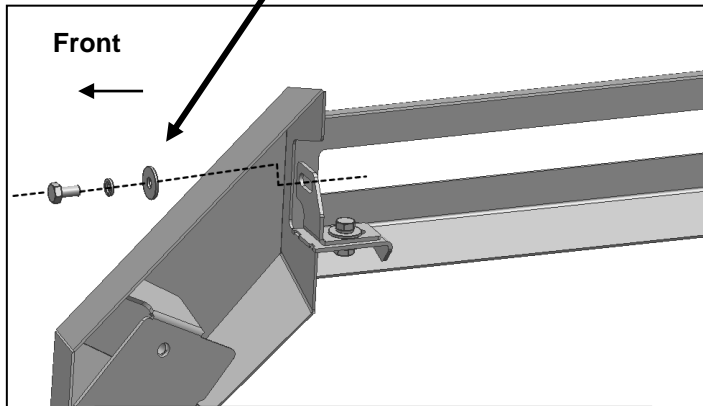


- (2) 6mm Button Head Bolts
- (4) 6mm Flat Washers
- (2) 6mm Lock Washers
- (2) 6mm Hex Nuts

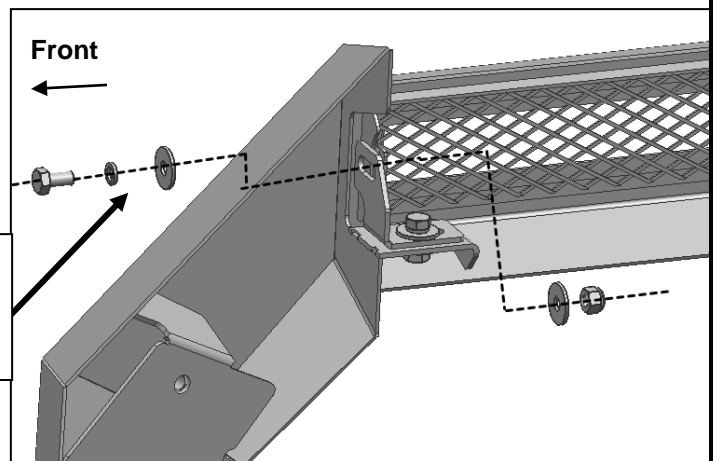
- (1) 8mm x 20mm Hex Bolt
- (2) 8mm Flat Washers
- (1) 8mm Lock Washer
- (1) 8mm Hex Nut



- 8mm x 16mm Hex Bolt
- 8mm Lock Washer
- 8mm Flat Washer

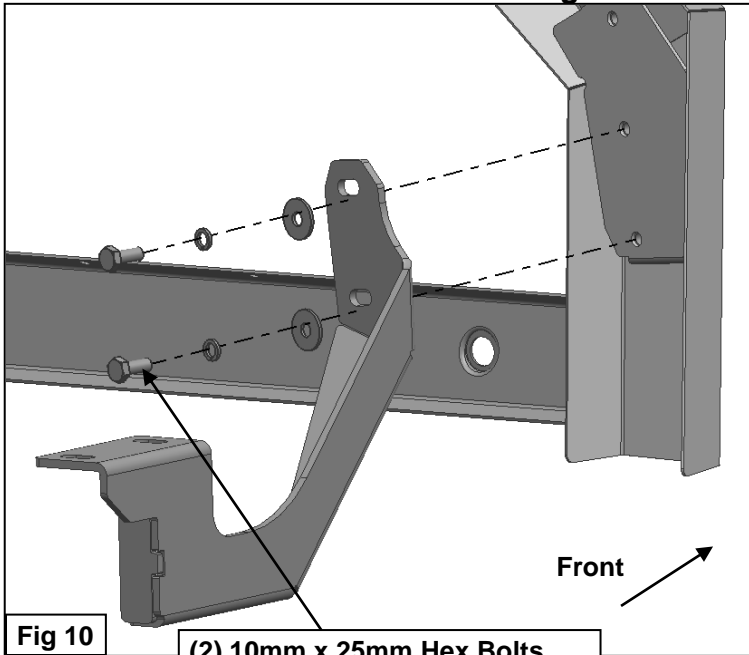


- (1) 8mm x 16mm Hex Bolt
- (2) 8mm Flat Washers
- (1) 8mm Lock Washer
- (1) 8mm Hex Nut



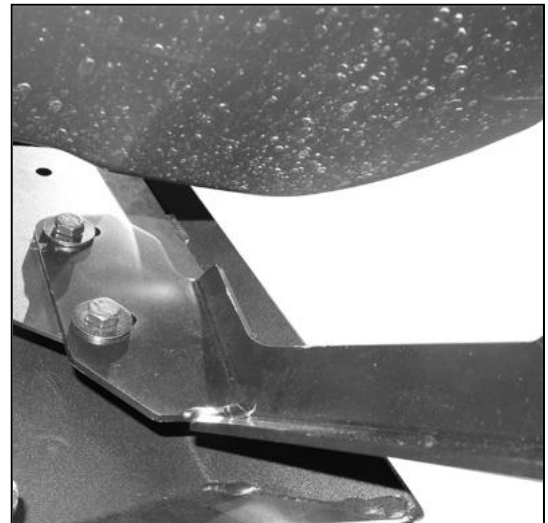
(Fig 9) Driver side light bar Bracket attached to Mesh hardware

**Passenger Side Installation Pictured**

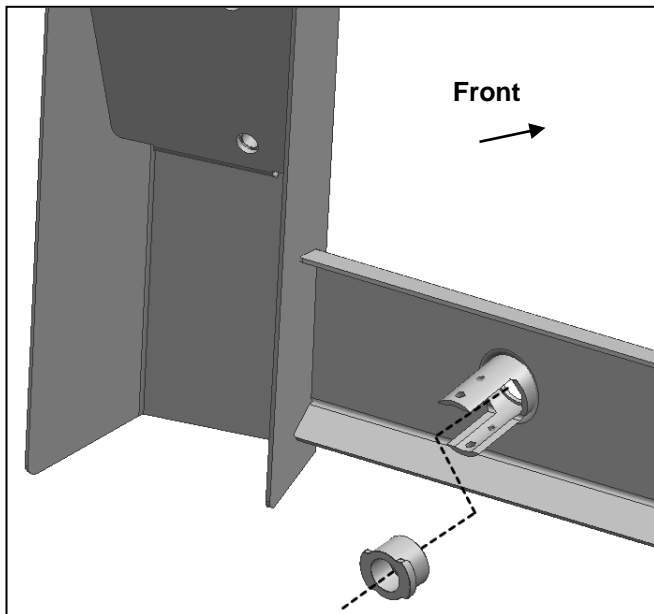


**Fig 10**

- (2) 10mm x 25mm Hex Bolts
- (2) 10mm Lock Washers
- (2) 10mm x 30mm Flat Washers



**(Fig 11) Passenger/Right Side complete installation**



**(Fig 12) Attach Sensor Plug into Sensor Sleeve**