



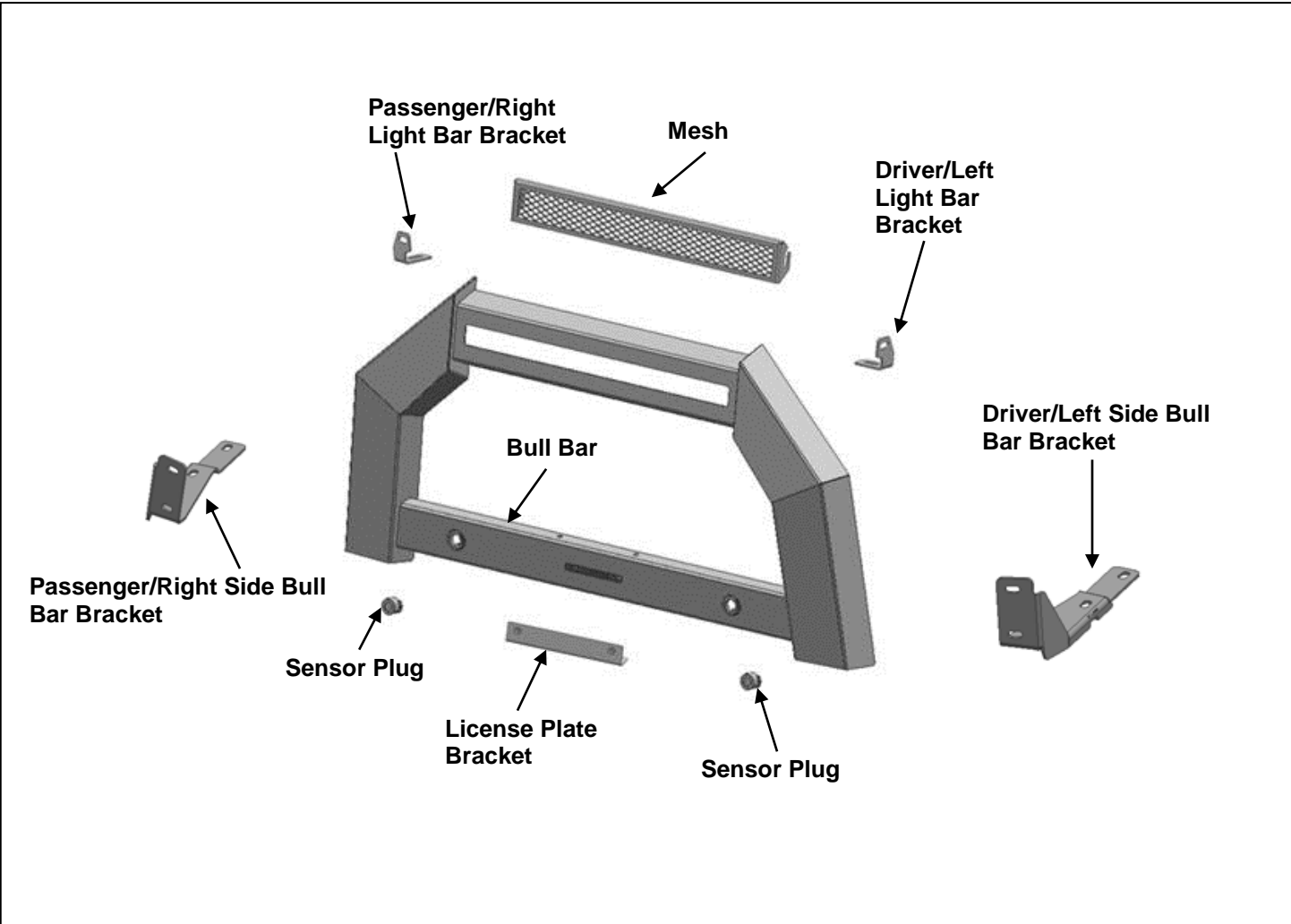
INSTALLATION INSTRUCTIONS

**ARMOUR BULL BAR
FOR 2017-2018 NISSAN TITAN
(EXCLUDES TITAN “XD” MODELS)**

PART#AB-NI20

PARTS LIST:

1	Bull Bar	2	8mm Nylon Lock Nuts
1	Driver/Left Side Bull Bar Bracket	2	8-1.25mm x 20mm Hex Bolts
1	Passenger/Right Bull Bar Bracket	2	8-1.25mm x 16mm Hex Bolts
1	Driver/Left Side Light Bar Bracket	8	8mm x 24mm x 2mm Flat Washers
1	Passenger/Right Side Light Bar Bracket	4	8mm Lock Washers
1	Mesh	2	8mm Hex Nuts
1	License Plate Bracket	2	6-1.0mm x 20mm Combo Bolts
2	Rubber Sensor Plugs	2	6-1.0mm x 20mm Button Head Bolts
4	12-1.25mm x 35mm Fine Thread Hex Bolts	4	6mm x 18mm x 1.6mm Flat Washers
4	12mm x 37mm x 3mm Flat Washers	2	6mm Lock Washers
4	12mm Lock Washers	2	6mm Hex Nuts
4	10-1.5mm x 25mm Hex Bolts	4	4mm x 10mm Button Head Bolts (Backup Accessories)
4	10mm x 24mm x 2.2mm Flat Washers	1	Wrench S=4 (Backup Accessories)
4	10mm Lock Washers	1	Wrench S=2.5



PROCEDURE:

REMOVE CONTENTS FROM BOX. VERIFY ALL PARTS ARE PRESENT. READ INSTRUCTIONS CAREFULLY BEFORE STARTING INSTALLATION. CUTTING MAY BE REQUIRED. INSTALLATION WILL INTERFERE WITH BUMPER MOUNTED PARKING SENSORS.

1. Start installation from under the front of the vehicle and remove the plastic splash guard from the bottom of the frame, **(Figure 1)**. On models equipped with metal skid plate, remove skid plate. **NOTE:** Skid plate cannot be reinstalled.
2. Select the passenger/right side Mounting Bracket, **(Figure 2)**. Slide the Bracket through the opening in the plastic fill panel for the tow hook, **(Figures 3 & 4)**. **NOTE:** The fill panel may require minor cutting for Bracket clearance-remove fill panel to cut for clearance. Line up the Bracket with the (2) mounting holes in the bottom of the frame. Attach the Bracket to the frame with **(2) 12-1.25mm x 35mm Fine Thread Hex Bolts**, (2) 12mm Lock Washers and (2) 12mm Flat Washers, **(Figure 5)**. **VERY IMPORTANT:** Use only the provided **12-1.25mm x 35mm Fine Thread Hex Bolts** to attach the Brackets to the vehicle or damage to the frame may result. Do not tighten hardware at this time.
3. Repeat **Step 2** for driver/left side Frame Bracket installation, **(Figure 6)**.
4. Relocation of front license plate is not required, but strongly recommended.
 - a. Attach the License Plate Bracket to the Bull Bar with (2) 6mm Button Head Bolts, (4) 6mm Flat Washers, (2) 6mm Lock Washers and (2) 6mm Hex Nuts, **(Figure 7)**. Use (2) 6mm Combination Bolts to attach the front license plate to the Bracket, **(Figure 7)**.
5. **Mesh and LED Light installation, (LED light sold separately)**. Select the driver/left side Light Bar Bracket. Attach the Bracket to the back of the mounting plate on the Bull Bar with (1) 8mm x 20mm Hex Bolt, (2) 8mm Flat Washers, (1) 8mm Lock Washer and (1) 8mm Hex Nut, **(Figure 8)**. Repeat this step to attach the passenger/right side Light Bar Bracket to the back of the Bull Bar. Do not tighten hardware.

LED Light Installation

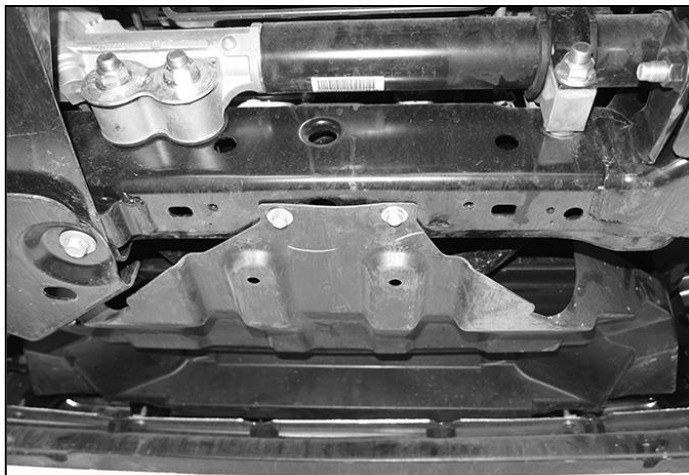
- a. Use (2) 8mm x 16mm Hex Bolts, (2) 8mm Lock Washers and (2) 8mm Flat Washers to attach the Light Bar Brackets to the Bull Bar, **(Figure 9)**.
- b. Follow the light manufacturer's instructions to attach the Bull Bar.
- c. Follow light manufacturer's instructions to properly wire the Bull Bar.

Mesh installation

- a. Use (2) 8mm x 16mm Hex Bolts, (4) 8mm Flat Washers, (2) 8mm Lock Washers and (2) 8mm Hex Nuts to attach the Mesh to the inside surface of the Light Bar Brackets, **(Figure 10)**.
- b. Level and adjust the Brackets to the Mesh Panel and fully tighten hardware.
6. With assistance, hold up the assembled Bull Bar to the Bull Bar Brackets. Align the (2) bottom holes on the Uprights with the Brackets. Bolt the assembled Bull Bar to the Brackets with (4) 10mm x 25mm Hex Bolts, (4) 10mm Lock Washers and (4) 10mm x 30mm Flat Washers, **(Figures 11)**.
7. Level and adjust the Bull Bar properly and tighten all hardware.
8. Select the (2) Sensor Plugs. Push the sensor plugs into the sensor sleeves behind the Bull Bar, **(Figure 12)**.
9. Level and adjust the Bull Bar properly and tighten all hardware. Reinstall the tow hook if removed.
10. Do periodic inspections to the installation to make sure that all hardware is secure and tight.

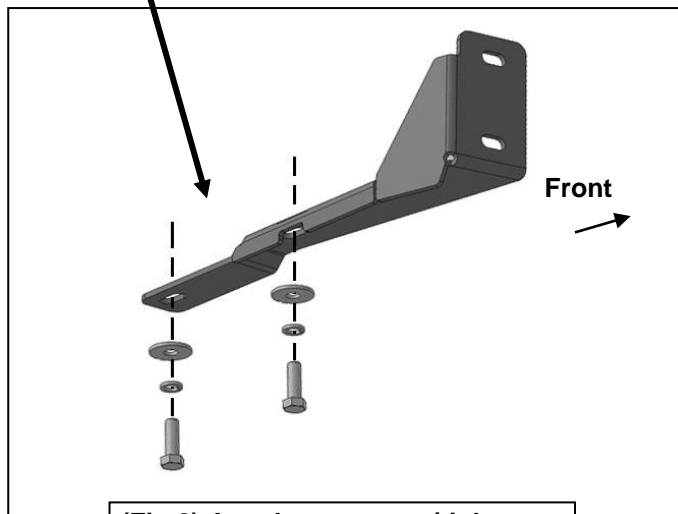
To protect your investment, wax this product after installing. Regular waxing is recommended to add a protective layer over the finish. Do not use any type of polish or wax that may contain abrasives that could damage the finish. Mild soap may be used to clean the Bull Bar.

Passenger/right Side Installation Pictured



(Fig 1) Remove splash guard (pictured from below)

- (2) 12-1.25mm x 35mm Fine Thread Hex Bolts**
- (2) 12mm Lock Washers**
- (2) 12mm Flat Washers**

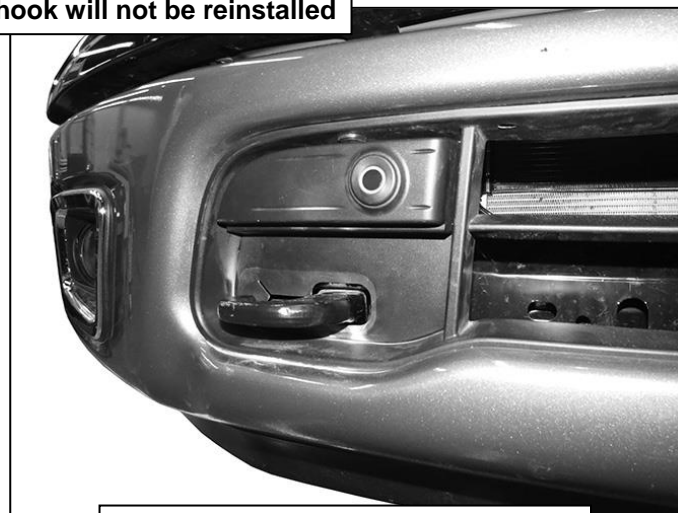


(Fig 2) Attach passenger/right Frame Bracket to bottom of frame



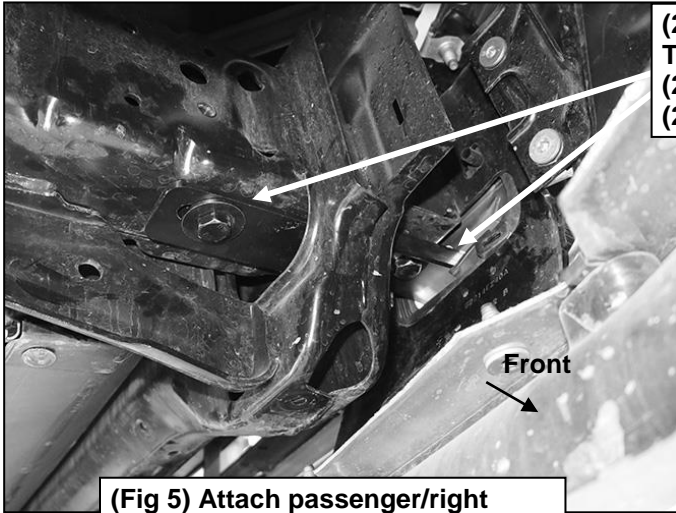
(Fig 2) Remove plastic fill panel

Remove the factory tow hook and hardware. Tow hook will not be reinstalled



(Fig 3) Remove tow hook if equipped

Driver Side Installation Pictured

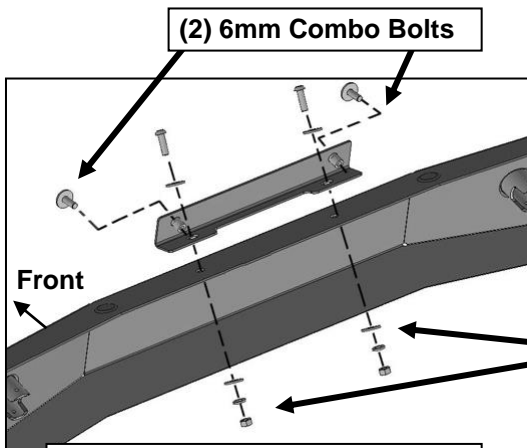


- (2) 12-1.25mm x 35mm Fine Thread Hex Bolts
- (2) 12mm Lock Washers
- (2) 12mm Flat Washers

(Fig 5) Attach passenger/right Frame Bracket to bottom of frame



(Fig 6) Frame Brackets installed

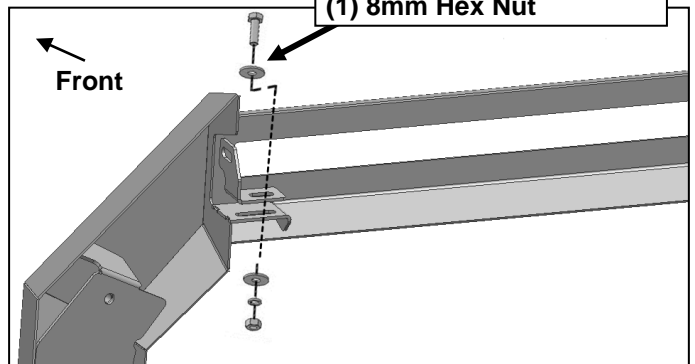


- (2) 6mm Combo Bolts

(Fig 7) License Plate Bracket attached to the Bull Bar

- (2) 6mm Button Head Bolts
- (4) 6mm Flat Washers
- (2) 6mm Lock Washers
- (2) 6mm Hex Nuts

- (1) 8mm x 20mm Hex Bolt
- (2) 8mm Flat Washers
- (1) 8mm Lock Washer
- (1) 8mm Hex Nut

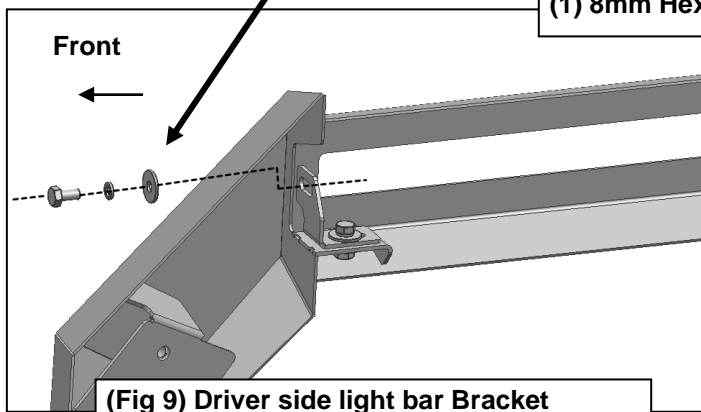


(Fig 8) Driver side light bar Bracket attached to the Bull Bar

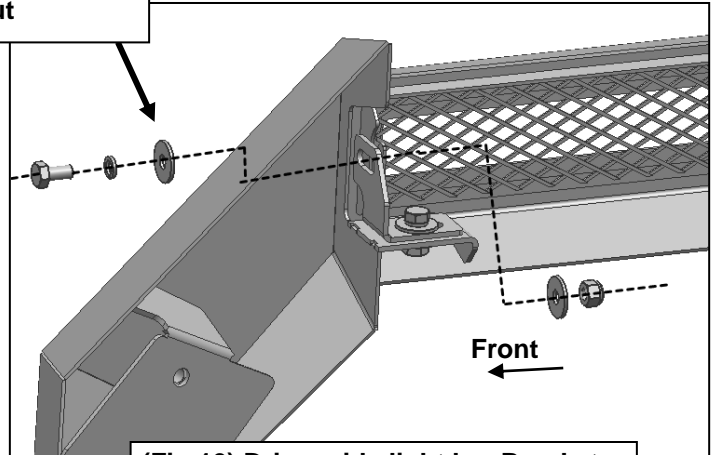
Driver Side Installation Pictured

- 8mm x 16mm Hex Bolt
- 8mm Lock Washer
- 8mm Flat Washer

- (1) 8mm x 16mm Hex Bolt
- (2) 8mm Flat Washers
- (1) 8mm Lock Washer
- (1) 8mm Hex Nut



(Fig 9) Driver side light bar Bracket attached to the Bull Bar hardware



(Fig 10) Driver side light bar Bracket attached to Mesh hardware

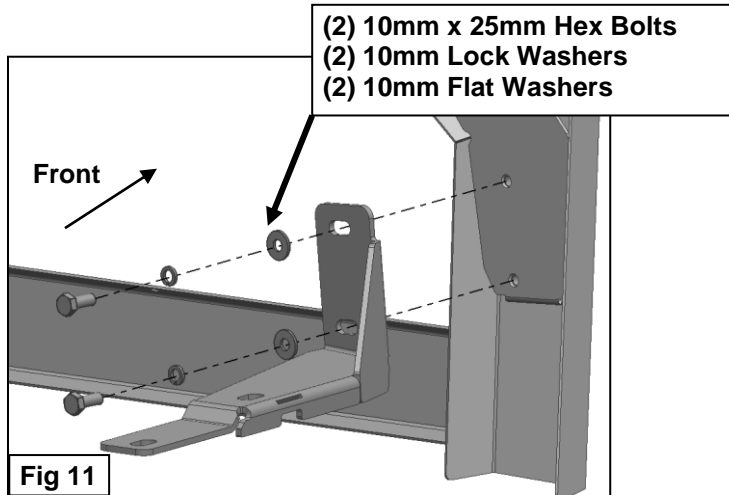
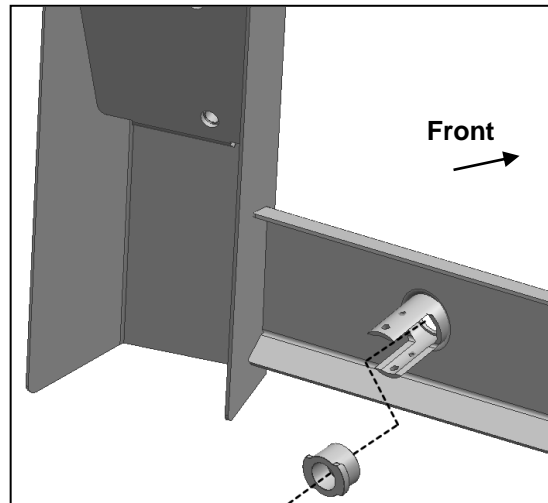


Fig 11



(Fig 12) Attach Sensor Plug into Sensor Sleeve