



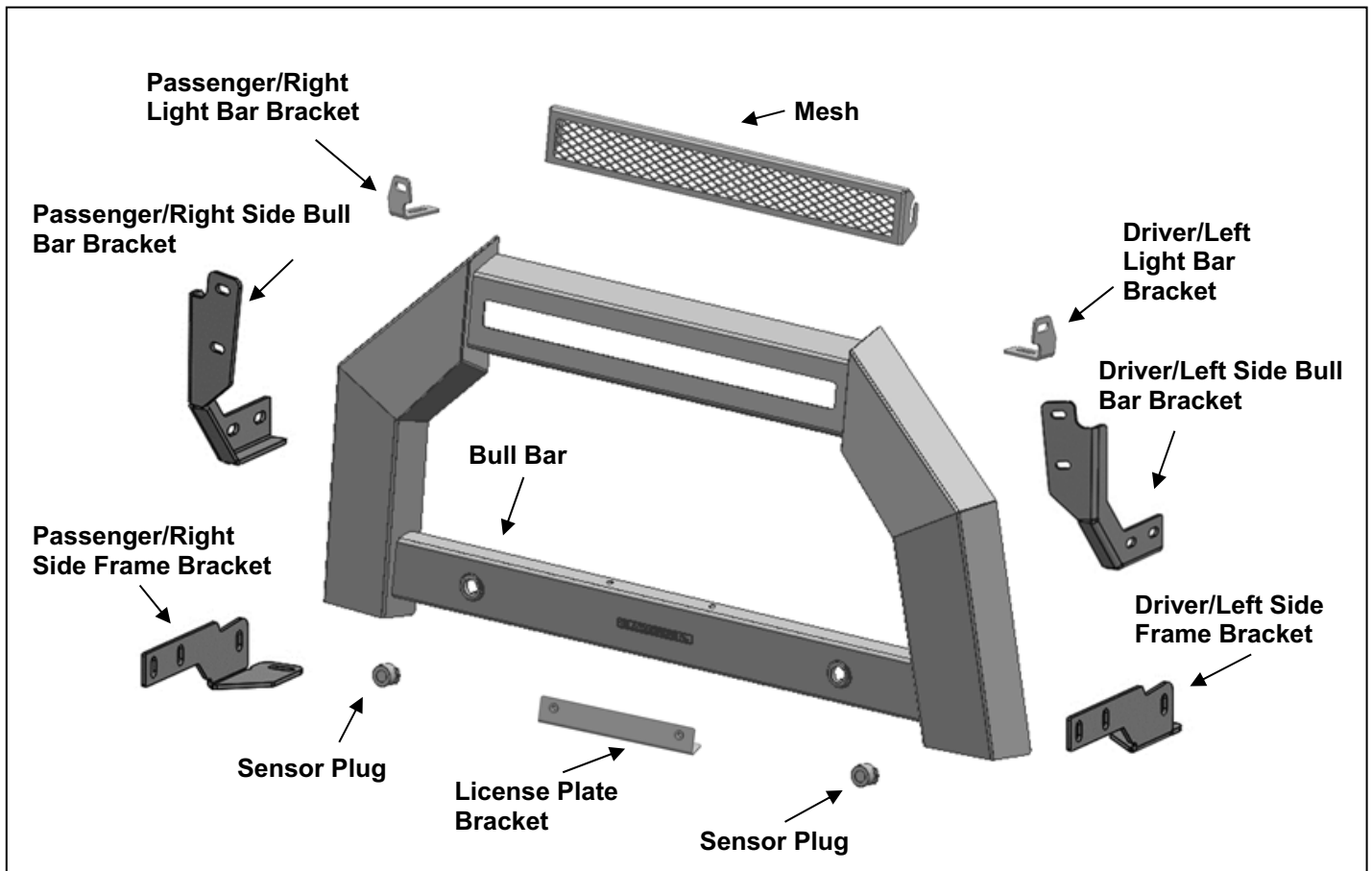
INSTALLATION INSTRUCTIONS

**ARMOUR BULL BAR
FOR 07-10 CHEVY SILVERADO 25-3500/
GMC SIERRA 25-3500**

PART#GM25

PARTS LIST:

1	Bull Bar	8	10mm x 27mm x 3mm Flat Washers
1	Driver/Left Side Frame Bracket	8	10mm Lock Washers
1	Passenger/Right Side Frame Bracket	4	10-1.5mm Hex Nuts
1	Driver/Left Side Bull Bar Bracket	2	8mm Nylon Lock Nuts
1	Passenger/Right Side Bull Bar Bracket	2	8-1.25mm x 20mm Hex Bolts
1	Driver/Left Side Light Bar Bracket	2	8-1.25mm x 16mm Hex Bolts
1	Passenger/Right Side Light Bar Bracket	8	8mm x 24mm x 2mm Flat Washers
1	Mesh	4	8mm Lock Washers
1	License Plate Bracket	2	8mm Hex Nuts
2	Rubber Sensor Plugs	2	6-1.0mm x 20mm Combo Bolts
4	12-1.75mm x 35mm Hex Bolts	2	6-1.0mm x 20mm Button Head Bolts
8	12mm x 32mm x 3mm Flat Washers	4	6mm x 18mm x 1.6mm Flat Washers
4	12mm Lock Washers	2	6mm Lock Washers
4	12-1.75mm Hex Nuts	2	6mm Hex Nuts
4	10-1.5mm x 30mm Hex Bolts	4	4mm x 10mm Button Head Bolts (Backup Accessories)
4	10-1.5mm x 25mm Hex Bolts	1	Wrench S=4 (Backup Accessories)
4	10mm x 30mm x 2.5mm Flat Washers	1	Wrench S=2.5



PROCEDURE:

1. **REMOVE CONTENTS FROM BOX. VERIFY ALL PARTS ARE PRESENT. READ INSTRUCTIONS CAREFULLY BEFORE STARTING INSTALLATION. CUTTING MAY BE REQUIRED.**
2. From under the front of the vehicle, remove the two bolts holding the driver side tow hook in place in the end of the frame. Remove tow hook from vehicle, **(Figure 1)**. **NOTE:** This Bull Bar is not compatible with factory tow hooks and they cannot be reinstalled. **IMPORTANT:** It may be necessary to trim the opening in the bumper cover slightly for Bracket clearance.
On models without tow hooks, the pocket in the plastic bumper cover will need to be cut out to clear the Brackets, **(Figure 2)**.
3. Select the driver side Frame Bracket, **(Figure 3)**. Position the Bracket up to the outside of the frame with mounting holes lined up with the holes for the tow hook. Bolt the Bracket to the frame with the included (2) 12mm x 35mm Hex Bolts, (4) 12mm Flat Washers, (2) 12mm Lock Washers and (2) 12mm Hex Nuts, **(Figures 4 & 5)**. Do not tighten at this time.
4. Select the driver side Bull Bar Bracket. Attach the Bracket to the outside of the Frame Bracket with the included (2) 10mm x 30mm Hex Bolts, (4) 10mm x 27mm Flat Washers, (2) 10mm Lock Washers and (2) 10mm Hex Nuts, **(Figure 6)**. Do not tighten hardware at this time.
5. Repeat **Steps 2 — 4** to install the passenger side Frame Bracket and Bull Bar Bracket.
6. Relocation of front license plate is not required, but strongly recommended.
 - a. Attach the License Plate Bracket to the Bull Bar with (2) 6mm Button Head Bolts, (4) 6mm Flat Washers, (2) 6mm Lock Washers and (2) 6mm Hex Nuts, **(Figure 7)**. Use (2) 6mm Combination Bolts to attach the front license plate to the Bracket, **(Figure 7)**.
7. **Mesh and LED Light installation, (LED light sold separately)**. Select the driver/left side Light Bar Bracket. Attach the Bracket to the back of the mounting plate on the Bull Bar with (1) 8mm x 20mm Hex Bolt, (2) 8mm Flat Washers, (1) 8mm Lock Washer and (1) 8mm Hex Nut, **(Figure 8)**. Repeat this step to attach the passenger/right side Light Bar Bracket to the back of the Bull Bar. Do not tighten hardware.

LED Light Installation

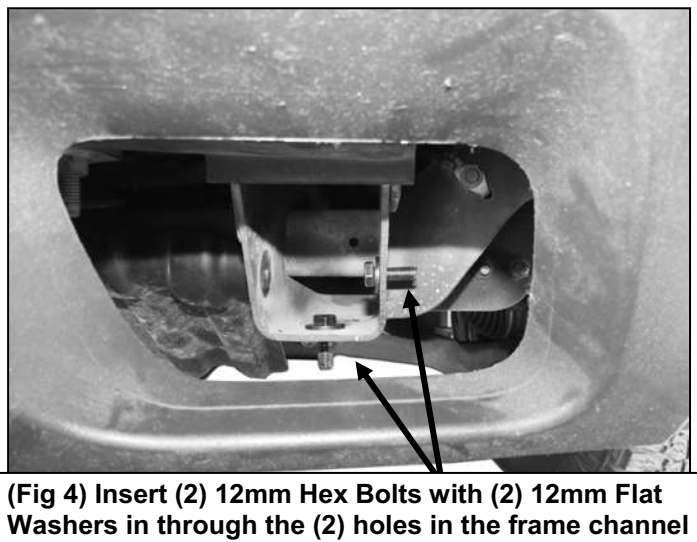
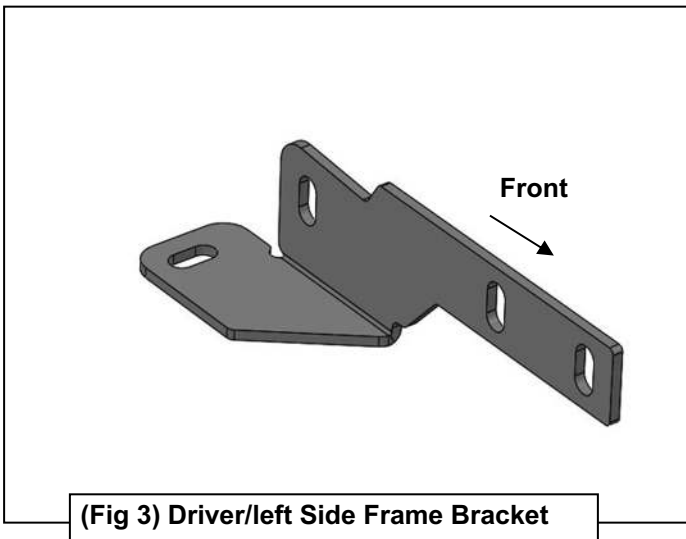
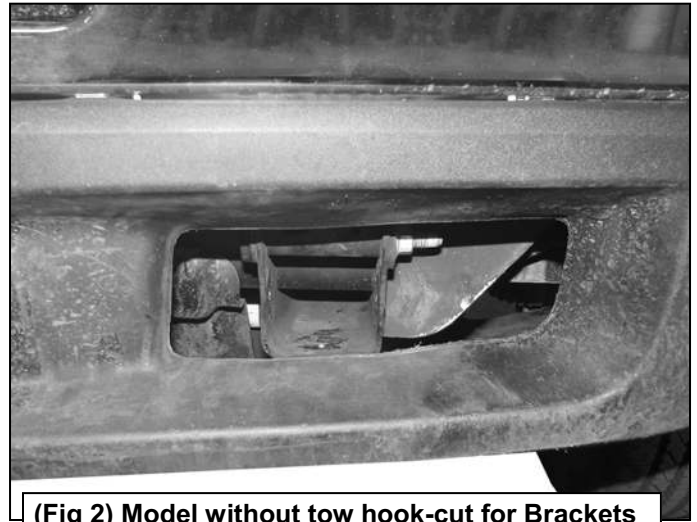
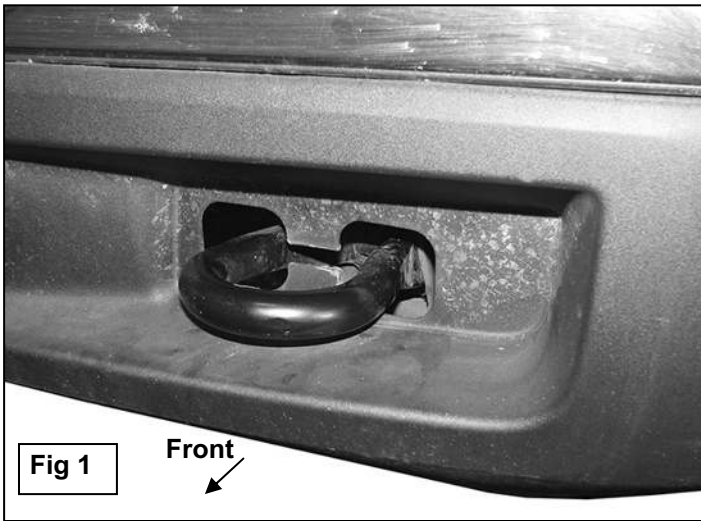
- a. Use (2) 8mm x 16mm Hex Bolts, (2) 8mm Lock Washers and (2) 8mm Flat Washers to attach the Light Bar Brackets to the Bull Bar, **(Figure 9)**.
- b. Follow the light manufacturer's instructions to attach the Bull Bar.
- c. Follow light manufacturer's instructions to properly wire the Bull Bar.

Mesh installation

- a. Use (2) 8mm x 16mm Hex Bolts, (4) 8mm Flat Washers, (2) 8mm Lock Washers and (2) 8mm Hex Nuts to attach the Mesh to the inside surface of the Light Bar Brackets, **(Figure10)**.
 - b. Level and adjust the Brackets to the Mesh Panel and fully tighten hardware.
8. With assistance, hold up the assembled Bull Bar to the Bull Bar Brackets. Align the (4) bottom holes on the Uprights with the Brackets. Bolt the assembled Bull Bar to the Brackets with (4) 10mm x 25mm Hex Bolts, (4) 10mm Lock Washers and (4) 10mm x 30mm Flat Washers, **(Figures 11)**. Do not tighten hardware at this time.
 9. Select the (2) Sensor Plugs. Push the sensor plugs into the sensor sleeves behind the Bull Bar, **(Figure12)**.
 10. Center the Bull Bar on the vehicle, level and adjust as desired and tighten all hardware at this time.
 11. Do periodic inspections to the installation to make sure that all hardware is secure and tight.

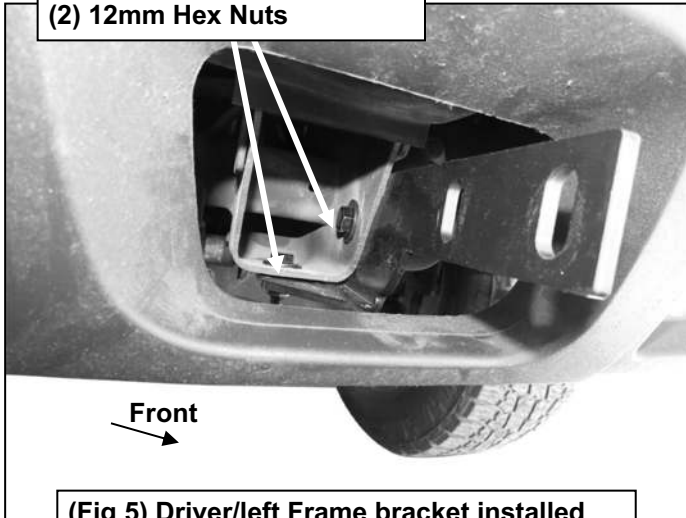
To protect your investment, wax this product after installing. Regular waxing is recommended to add a protective layer over the finish. Do not use any type of polish or wax that may contain abrasives that could damage the finish. Mild soap may be used to clean the Bull Bar

Driver Side Installation Pictured



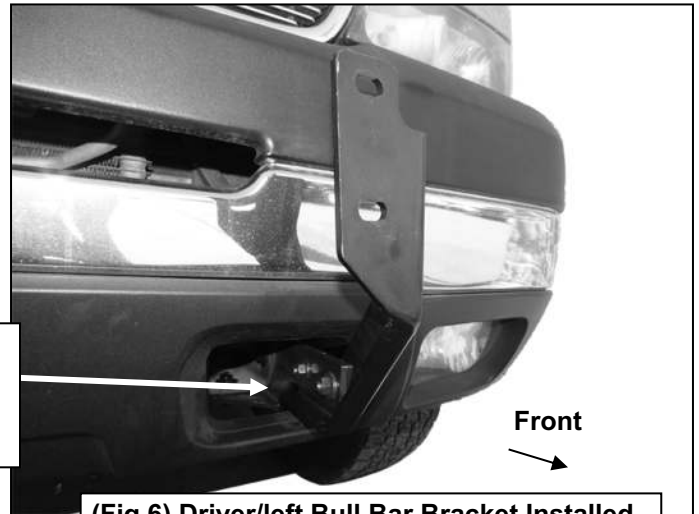
Driver Side Installation Pictured

- (2) 12mm x 35mm Hex Bolts
- (4) 12mm Flat Washers
- (2) 12mm Lock Washers
- (2) 12mm Hex Nuts



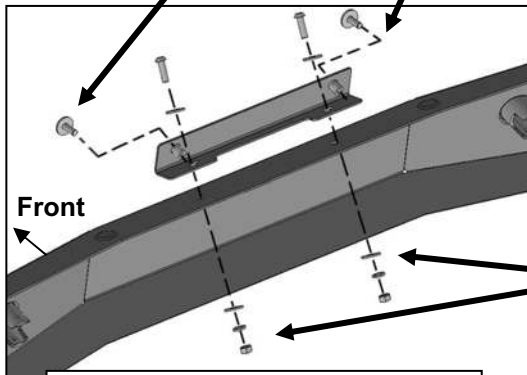
(Fig 5) Driver/left Frame bracket installed

- (2) 10mm x 30mm Hex Bolts
- (4) 10mm x 27mm Flat Washers
- (2) 10mm Lock Washers
- (2) 10mm Hex Nuts



(Fig 6) Driver/left Bull Bar Bracket Installed

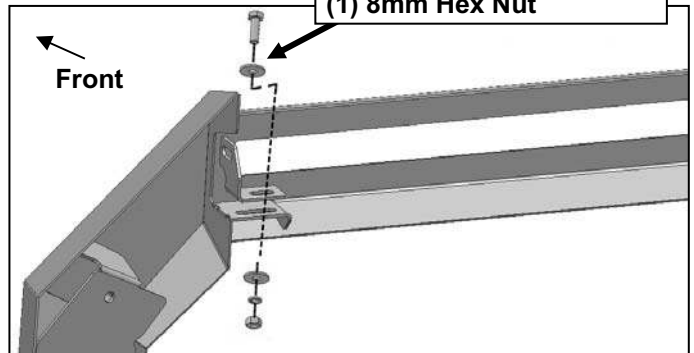
- (2) 6mm Combo Bolts



(Fig 7) License Plate Bracket attached to the Bull Bar

- (2) 6mm Button Head Bolts
- (4) 6mm Flat Washers
- (2) 6mm Lock Washers
- (2) 6mm Hex Nuts

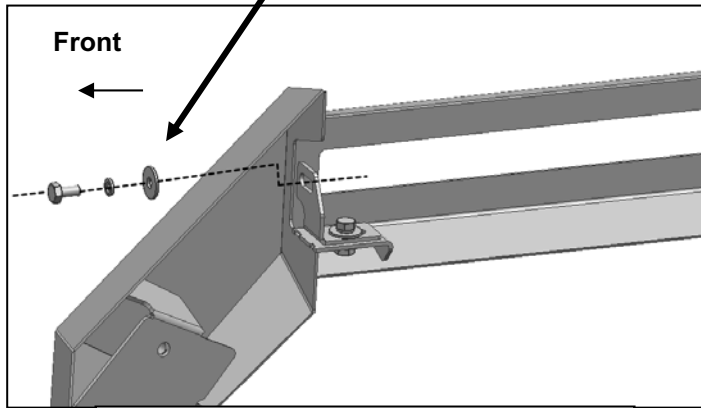
- (1) 8mm x 20mm Hex Bolt
- (2) 8mm Flat Washers
- (1) 8mm Lock Washer
- (1) 8mm Hex Nut



(Fig 8) Driver side light bar Bracket attached to the Bull Bar

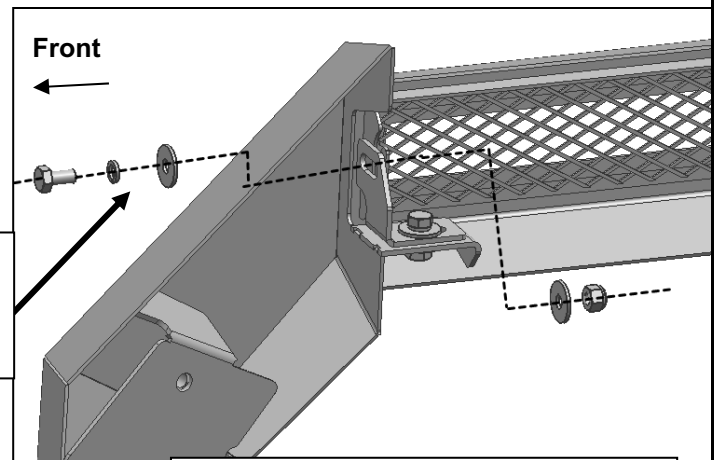
Driver Side Installation Pictured

- 8mm x 16mm Hex Bolt
- 8mm Lock Washer
- 8mm Flat Washer



(Fig 9) Driver side light bar Bracket attached to the Bull Bar hardware

- (1) 8mm x 16mm Hex Bolt
- (2) 8mm Flat Washers
- (1) 8mm Lock Washer
- (1) 8mm Hex Nut



(Fig 10) Driver side light bar Bracket attached to Mesh hardware

- (2) 10mm x 25mm Hex Bolts
- (2) 10mm Lock Washers
- (2) 10mm x 30mm Flat Washers

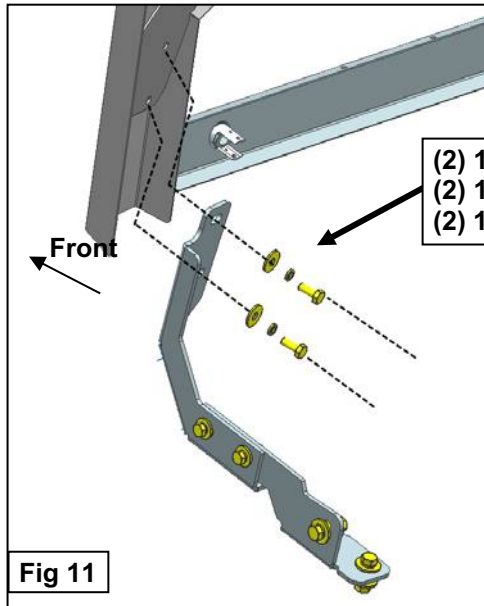
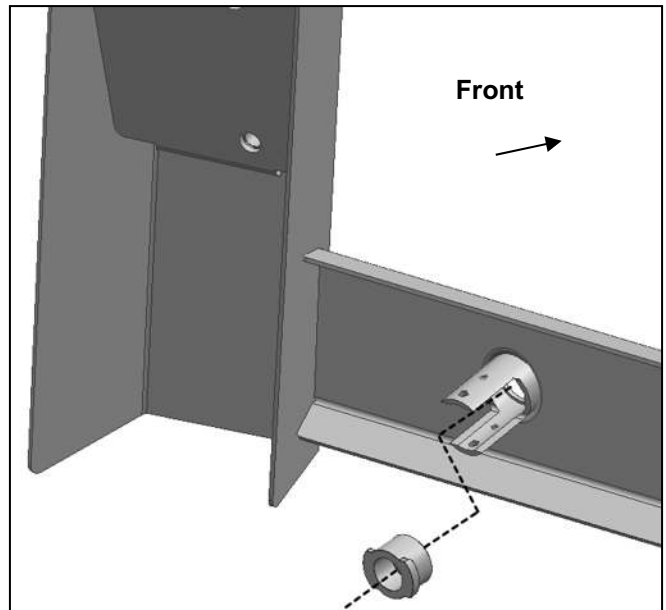


Fig 11



(Fig 12) Attach Sensor Plug into Sensor Sleeve