



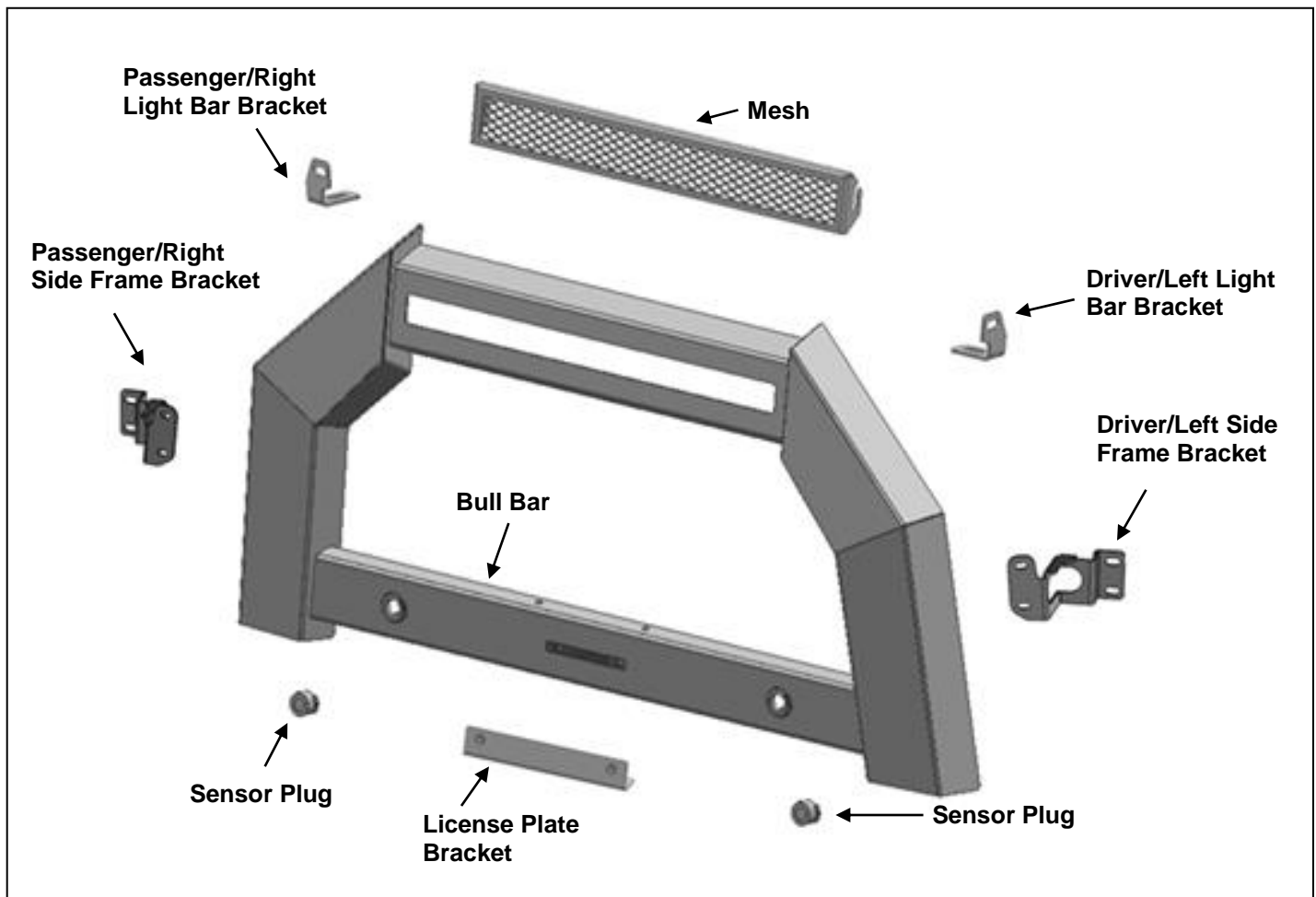
INSTALLATION INSTRUCTIONS

**ARMOUR BULL BAR
FOR 2011-2016 FORD SUPER DUTY F250-F550**

PART#AB-FO19

PARTS LIST:

1	Bull Bar	2	8-1.25mm x 16mm Hex Bolts
1	Driver/Left Side Frame Bracket	8	8mm x 24mm x 2mm Flat Washers
1	Passenger/Right Side Frame Bracket	4	8mm Lock Washers
1	Driver/Left Side Light Bar Bracket	2	8mm Hex Nuts
1	Passenger/Right Side Light Bar Bracket	2	6-1.0mm x 20mm Combo Bolts
1	Mesh	2	6-1.0mm x 20mm Button Head Bolts
1	License Plate Bracket	4	6mm x 18mm x 1.6mm Flat Washers
2	Rubber Sensor Plugs	2	6mm Lock Washers
4	10-1.5mm x 25mm Hex Bolts	2	6mm Hex Nuts
4	10mm Lock Washers	4	4mm x 10mm Button Head Bolts (Backup Accessories)
4	10mm x 30mm x 2.5mm Flat Washers	1	Wrench S=4 (Backup Accessories)
2	8mm Nylon Lock Nuts	1	Wrench S=2.5
2	8-1.25mm x 20mm Hex Bolts		



PROCEDURE:

REMOVE CONTENTS FROM BOX. VERIFY ALL PARTS ARE PRESENT. READ INSTRUCTIONS CAREFULLY BEFORE STARTING INSTALLATION. ASSISTANCE IS RECOMMENDED.

1. Start installation at the driver/left side, front of the vehicle. Place blocks or jack stands under the front bumper to support it during mounting bolt removal. Once the bumper has been safely supported, remove the (2) bumper bolts, **(Figure 1)**. **WARNING!** Assistance is required to hold the bumper in

place during hardware removal to prevent the bumper from falling. Only remove the bumper bolts from one side and install one Frame Bracket at a time.

2. Select the driver side Frame Bracket. Reuse the factory bumper bolts to attach the Frame Bracket to the bumper, **(Figure 2)**. Make sure there is clearance between the top and bottom of the Frame Bracket and the opening in the bumper. Do not tighten hardware at this time.
3. Repeat **Steps 1 & 2** for passenger/right side Frame Bracket installation.
4. Relocation of front license plate is not required, but strongly recommended.
 - a. Attach the License Plate Bracket to the Bull Bar with (2) 6mm Button Head Bolts, (4) 6mm Flat Washers, (2) 6mm Lock Washers and (2) 6mm Hex Nuts, **(Figure 3)**. Use (2) 6mm Combination Bolts to attach the front license plate to the Bracket, **(Figure 3)**.
5. **Mesh and LED Light installation, (LED light sold separately)**. Select the driver/left side Light Bar Bracket. Attach the Bracket to the back of the mounting plate on the Bull Bar with (1) 8mm x 20mm Hex Bolt, (2) 8mm Flat Washers, (1) 8mm Lock Washer and (1) 8mm Hex Nut, **(Figure 4)**. Repeat this step to attach the passenger/right side Light Bar Bracket to the back of the Bull Bar. Do not tighten hardware.

LED Light Installation

- a. Use (2) 8mm x 16mm Hex Bolts, (2) 8mm Lock Washers and (2) 8mm Flat Washers to attach the Light Bar Brackets to the Bull Bar, **(Figure 5)**.
- b. Follow the light manufacturer's instructions to attach the Bull Bar.
- c. Follow light manufacturer's instructions to properly wire the Bull Bar.

Mesh installation

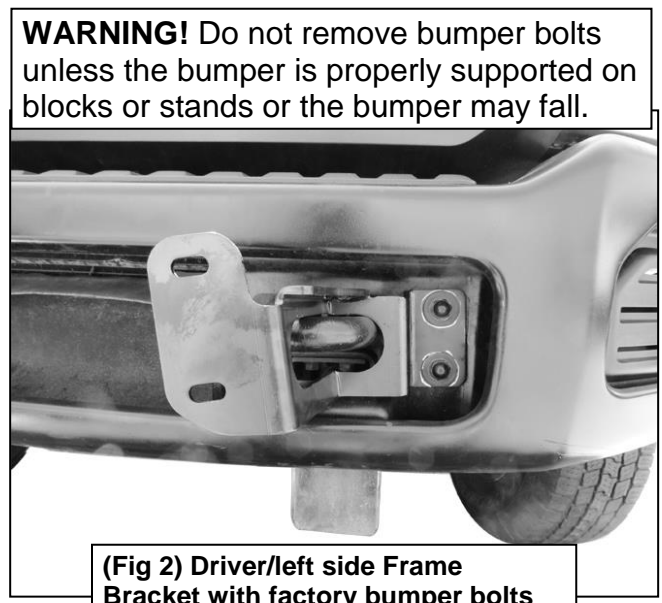
- a. Use (2) 8mm x 16mm Hex Bolts, (4) 8mm Flat Washers, (2) 8mm Lock Washers and (2) 8mm Hex Nuts to attach the Mesh to the inside surface of the Light Bar Brackets, **(Figure 6)**.
 - b. Level and adjust the Brackets to the Mesh Panel and fully tighten hardware.
6. With assistance, hold up the assembled Bull Bar to the Frame Brackets. Align the (4) bottom holes on the Uprights with the Frame Brackets. Bolt the assembled Bull Bar to the Brackets with (4) 10mm x 25mm Hex Bolts, (4) 10mm Lock Washers and (4) 10mm x 30mm Flat Washers, **(Figure 7)**. Do not tighten hardware at this time.
 7. Select the (2) Sensor Plugs. Push the sensor plugs into the sensor sleeves behind the Bull Bar, **(Figure 8)**.
 8. Center the Bull Bar on the vehicle, level and adjust as desired. Readjust bumper as needed and tighten all hardware at this time.
 9. Do periodic inspections to the installation to make sure that all hardware is secure and tight.

To protect your investment, wax this product after installing. Regular waxing is recommended to add a protective layer over the finish. Do not use any type of polish or wax that may contain abrasives that could damage the finish. Mild soap may be used to clean the Bull Bar.

Driver/left Side Installation Pictured



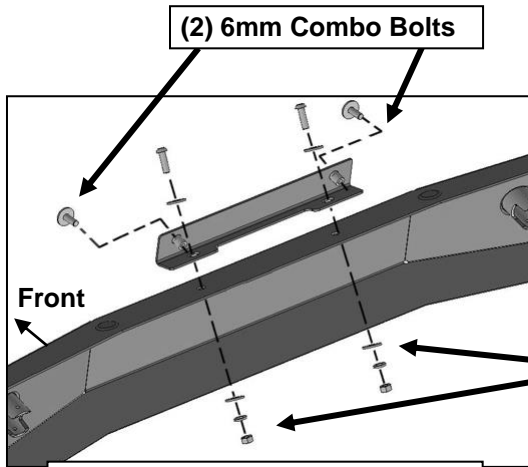
(Fig 1) Remove driver/left side bumper bolts



WARNING! Do not remove bumper bolts unless the bumper is properly supported on blocks or stands or the bumper may fall.

(Fig 2) Driver/left side Frame Bracket with factory bumper bolts

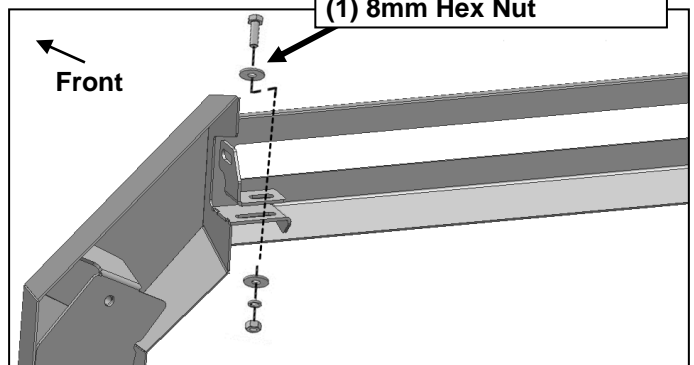
Driver Side Installation Pictured



(Fig 3) License Plate Bracket attached to the Bull Bar

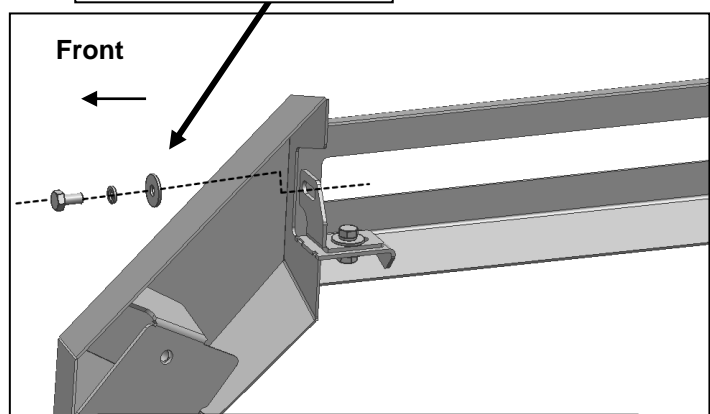
- (2) 6mm Button Head Bolts
- (4) 6mm Flat Washers
- (2) 6mm Lock Washers
- (2) 6mm Hex Nuts

- (1) 8mm x 20mm Hex Bolt
- (2) 8mm Flat Washers
- (1) 8mm Lock Washer
- (1) 8mm Hex Nut



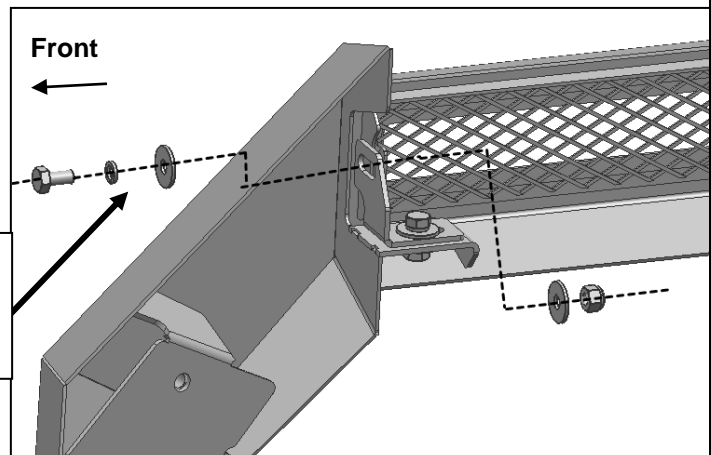
(Fig 4) Driver side light bar Bracket attached to the Bull Bar

- 8mm x 16mm Hex Bolt
- 8mm Lock Washer
- 8mm Flat Washer



(Fig 5) Driver side light bar Bracket attached to the Bull Bar hardware

- (1) 8mm x 16mm Hex Bolt
- (2) 8mm Flat Washers
- (1) 8mm Lock Washer
- (1) 8mm Hex Nut



(Fig 6) Driver side light bar Bracket attached to Mesh hardware

Driver Side Installation Pictured

