



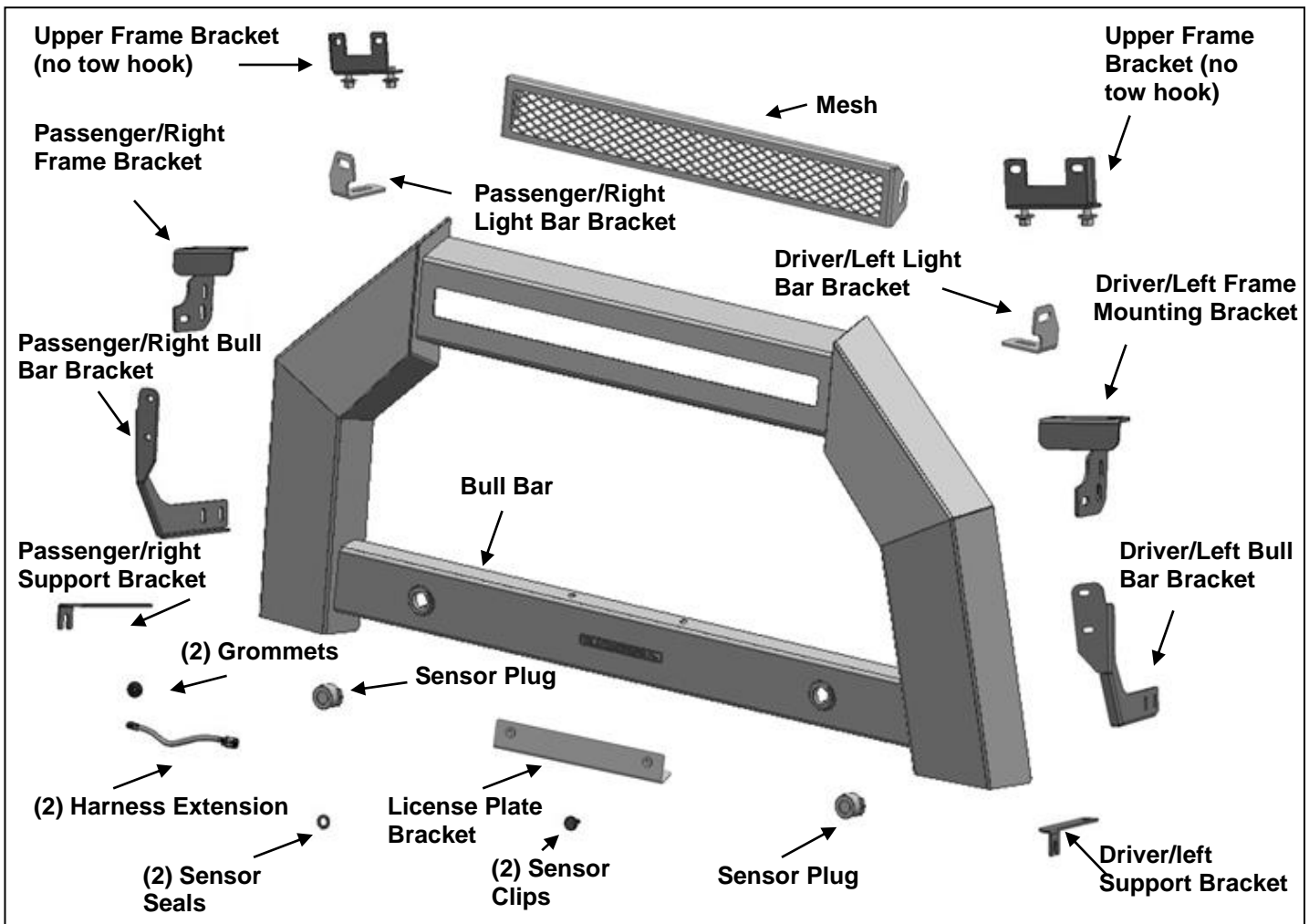
INSTALLATION INSTRUCTIONS

**ARMOUR BULL BAR
FOR 09-18 Ram 1500(W/ Parking Sensor) (Excl. Rebel)**

PART#AB-DO10

PARTS LIST:

1	Bull Bar	4	10-1.5mm x 25mm Hex Bolts
1	Driver/Left Side Frame Mounting Bracket	4	10mm x 30mm x 2.5mm Flat Washers
1	Passenger/Right Side Frame Mounting Bracket	4	10mm x 27mm x 3mm Flat Washers
1	Driver/Left Upper Frame Bracket (no tow hooks only)	6	10mm Lock Washers
1	Pass/Right Upper Frame Bracket (no tow hooks only)	2	10-1.5mm Hex Nuts
1	Driver/Left Side Support Bracket	2	8mm Nylon Lock Nuts
1	Passenger/Right Side Support Bracket	2	8-1.25mm x 20mm Hex Bolts
1	Driver/Left Side Bull Bar Bracket	2	8-1.25mm x 16mm Hex Bolts
1	Passenger/Right Side Bull Bar Bracket	8	8mm x 24mm x 2mm Flat Washers
1	Driver/Left Side Light Bar Bracket	4	8mm Lock Washers
1	Passenger/Right Side Light Bar Bracket	2	8mm Hex Nuts
1	Mesh	2	6-1.0mm x 20mm Combo Bolts
1	License Plate Bracket	2	6-1.0mm x 20mm Button Head Bolts
2	Rubber Sensor Plugs	4	6mm x 18mm x 1.6mm Flat Washers
2	Ram Sensor Wire Harness Extensions	2	6mm Lock Washers
2	Retaining Rings	2	6mm Hex Nuts
2	Foam Sensor Seal Washers	2	5-0.80mm x 20mm Button Head Bolts
2	Rubber Grommets	4	5mm x 10mm x 1mm Flat Washers
2	12-1.5mm x 30mm Special Fine Thread Hex Bolts	2	5mm Nylon Lock Nuts
4	12-1.75mm x 35mm Hex Bolts	4	4mm x 10mm Button Head Bolts(Backup Accessories)
14	12mm x 32mm x 3mm Flat Washers	1	Wrench S=4 (Backup Accessories)
10	12mm Lock Washers	1	Wrench S=3
8	12-1.75mm Hex Nuts	1	Wrench S=2.5
2	10-1.5mm x 35mm Hex Bolts		



PROCEDURE:

REMOVE CONTENTS FROM BOX. VERIFY ALL PARTS ARE PRESENT. READ INSTRUCTIONS CAREFULLY BEFORE STARTING INSTALLATION. CUTTING IS REQUIRED. ASSISTANCE IS RECOMMENDED.

1. Starting at the underside of the front bumper, carefully remove the plastic splash guard. **NOTE:** Depending on the model of truck, the splash guard may be attached to the bottom of the truck with hex bolts and several two-piece plastic push-in clips, **(Figure 1)**. Remove all hex bolts then locate the clips behind the bumper cover. Pry up on the center pin of the clip with a small flat blade screwdriver and remove the entire clip. Pay close attention to the type and location of all factory hardware for reinstallation. The splash guard may also be attached to the bumper cover with rivets at the corners. Use wire cutters to remove the rivets. Once all fasteners have been removed, move splash guard to a clean stable work area.
2. Next, determine if the truck is equipped with tow hooks.

For models without tow hooks:

- a. Remove the hex nuts from the two lower factory bumper bolts, **(Figure 2)**.
- b. Select (1) Upper Frame Bracket, (will fit left or right-without tow hooks only), and the driver side Mounting Bracket, **(Figure 3)**. Bolt the two Brackets together with (2) 12mm Flat Washers, (2) 12mm Lock Washers and (2) 12mm Hex Nuts. Do not tighten at this time.
- c. Reuse the factory hex nuts to attach the Mounting Bracket assembly to the back of the bumper bracket. Snug but do not fully tighten the hardware, **(Figure 5)**.

NOTE: On some vehicles, it may be easier to assemble the two-piece bracket on the vehicle. Install the Upper Frame Bracket first, then attach the lower Mounting Bracket to the Upper Bracket.

- d. Install the driver side Lower Support Bracket with the bent end toward the front of the vehicle, **(Figures 3—5)**. Attach the Support Bracket to the top slot on the inside of the Lower Mount with the included (1) 10mm x 35mm Hex Bolt, (2) 10mm x 30mm Flat Washers, (1) 10mm Lock Washer and (1) 10mm Hex Nut.
- e. Attach the flat end of the Support Bracket to the bottom of the frame with (1) 12-1.5mm x 30mm **Special Fine Thread** Hex Bolt, (1) 12mm Lock Washer and (1) 12mm Flat Washer, **(Figure 5)**. **IMPORTANT:** The hole in the bottom of the frame is **fine thread**. Only use the 12-1.5mm x 30mm Hex Bolt provided in the hardware kit. Snug but do not tighten all hardware at this time.

For models with tow hooks:

- a. Remove the (2) hex nuts attaching the front of the tow hook to the bumper bracket, **(Figure 6)**.
 - b. Select the driver side Lower Mounting Bracket, **(Figure 7)**. Reuse the factory hex nuts to attach the Bracket to the bottom of the tow hook. Do not tighten hardware at this time.
 - c. Loosen the rear mounting bolt for the tow hook. Attach the bent end of the Support Bracket to the rear tow hook bolt. Insert the slotted end under the head of the factory bolt, **(Figure 8)**.
 - d. Line up the flat end of the Support Bracket to the inside of the Lower Mounting Bracket, The Support Bracket will use the rear mounting slot for the Bull Bar. Do not attach at this time.
 - e. Snug but do not tighten all hardware at this time.
3. Repeat the appropriate **Step 2** for the passenger side Mounting Bracket and Support Bracket installation.
 4. Relocation of front license plate is not required, but strongly recommended.
 - a. Attach the License Plate Bracket to the Bull Bar with (2) 6mm Button Head Bolts, (4) 6mm Flat Washers, (2) 6mm Lock Washers and (2) 6mm Hex Nuts, **(Figure 9)**. Use (2) 6mm Combination Bolts to attach the front license plate to the Bracket, **(Figure 9)**.
 5. **Mesh and LED Light installation, (LED light sold separately)**. Select the driver/left side Light Bar Bracket. Attach the Bracket to the back of the mounting plate on the Bull Bar with (1) 8mm x 20mm Hex Bolt, (2) 8mm Flat Washers, (1) 8mm Lock Washer and (1) 8mm Hex Nut, **(Figure 10)**. Repeat this step to attach the passenger/right side Light Bar Bracket to the back of the Bull Bar. Do not tighten hardware.

LED Light Installation

- a. Use (2) 8mm x 16mm Hex Bolts, (2) 8mm Lock Washers and (2) 8mm Flat Washers to attach the Light Bar Brackets to the Bull Bar, **(Figure 11)**.
- b. Follow the light manufacturer's instructions to attach the Bull Bar.

- c. Follow light manufacturer's instructions to properly wire the Bull Bar.

Mesh installation

- a. Use (2) 8mm x 16mm Hex Bolts, (4) 8mm Flat Washers, (2) 8mm Lock Washers and (2) 8mm Hex Nuts to attach the Mesh to the inside surface of the Light Bar Brackets, **(Figure 12)**.
- b. Level and adjust the Brackets to the Mesh Panel and fully tighten hardware.

6. Determine if the vehicle is equipped with parking sensors

Models without sensors

- a. Select (2) Sensor Plugs. Insert Rubber Plugs into back of sensor mounts, **(Figure 13)**.

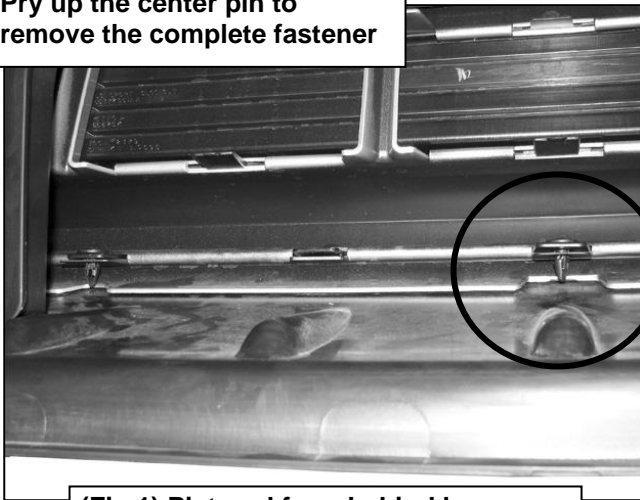
Models with Sensors:

- b. Unplug and remove sensors from factory bumper.
- c. Slide included Sensor Seal over front of sensor, **(Figure 14)**.
- d. Insert sensor into sensor mount. **NOTE:** It may be easier to attach the included Wiring Extension to the sensor before installing.
- e. Push Sensor Retaining Clip into sensor mount and lock into mounting holes, **(Figure 15)**.
- f. Repeat previous Steps to install remaining sensor.

7. Select (1) driver/left side Bull Bar Bracket. Attach the Bracket to the lower two mounting holes on the back of the Bull Bar with the included (2) 10mm x 25mm Hex Bolts, (2) 10mm Lock Washers and (2) 10mm x 30mm Flat Washers, **(Figure 16)**. Repeat to attach the passenger/right Bull Bar Bracket.
 8. With assistance, hold the assembled Bull Bar and Brackets up to the outside of the Frame Mounting Brackets. Use the included (2) 12mm x 35mm Hex Bolts, (4) 12mm Flat Washers, (2) 12mm Lock Washers and (2) 12mm Hex Nuts to attach the Bull Bar Bracket to the driver/left Fame Bracket, **(Figure 17)**. **NOTE:** On vehicles with tow hooks, insert the rear bolt through the tab on the Bull Bar Bracket, the Mounting Bracket and through the flat end of the Support Bracket. Snug but do not tighten hardware. Repeat this Step to attach the passenger/right side of the Bull Bar to the Frame Bracket.
 9. Stand back from the vehicle and check to see that the Bull Bar is centered and leveled on the vehicle. Adjust as necessary. Tighten only the hardware securing the Frame Mounting Brackets and Support Brackets to the truck. Remove the Bull Bar and Bull Bar Brackets.
 10. Next, hold the splash guard up to the bumper cover and align it with the mounting points. Mark the location of the Frame Mounting Brackets onto the back of the splash guard, **(Figure 18)**. Cut an approximately 1.5" wide by 4.5" box in the splash guard, **(Figure 18)**. **NOTE:** The size of the area to cut is an estimate only and may vary due to different factory designs for the splash guards and front bumper covers. Also, additional cutting may be required to clear the Support Bracket on vehicles equipped with tow hooks. **IMPORTANT:** To maintain the integrity of the splash guard, do not cut the slot any larger than necessary. Do not cut through the front or back edges of the cover, **(Figure 18)**. Make several small cuts first and check the fit often for a clean installation.
 11. Check the fit and reinstall the splash guard using the factory hardware. Use (2) 5mm x 20mm Button Head Bolts, (4) 5mm Flat Washers and (2) 5mm Lock Nuts to replace the rivets if required, **(Figure 19)**.
 12. Reinstall the Bull Bar described in **Step 6, (Figure 13)**.
 13. Level and adjust the Bull Bar and tighten all hardware.
 14. Models with sensors only:
 - a. Select (1) Rubber Grommet. Slide the Grommet over the small male plug on the Wiring Extension, **(Figure 20)**.
 - b. Push the Grommet into the hole in the bumper.
 - c. Plug the Extension into the factory wiring harness for the sensor. Repeat the previous Steps to attach the remaining Wiring Extension.
 15. Do periodic inspections to the installation to make sure that all hardware is secure and tight.
- To protect your investment**, wax this product after installing. Regular waxing is recommended to add a protective layer over the finish. Do not use any type of polish or wax that may contain abrasives that could damage the finish. Mild soap may be used to clean the Bull Bar.

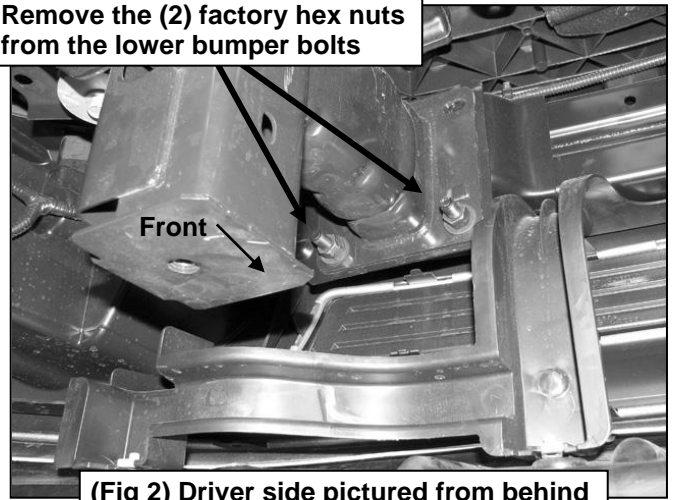
Driver Side Installation Pictured

Pry up the center pin to remove the complete fastener



(Fig 1) Pictured from behind bumper

Remove the (2) factory hex nuts from the lower bumper bolts

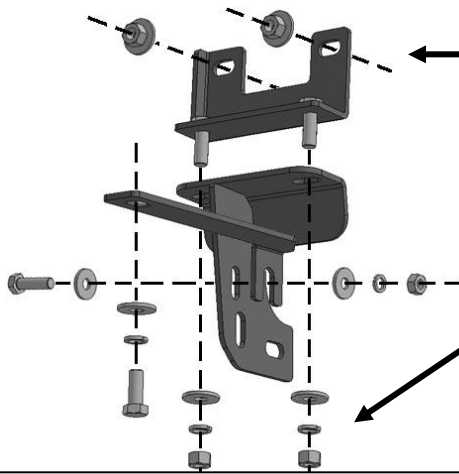


(Fig 2) Driver side pictured from behind bumper (non-tow hook models)

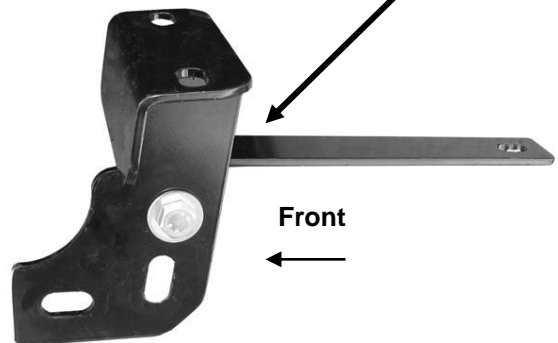
Reuse (2) factory hex nuts to attach Upper Frame Bracket on models without tow hooks

(2) 12mm Flat Washers
 (2) 12mm Lock Washers
 (2) 12mm Hex Nuts

(1) 10mm x 35mm Hex Bolt
 (2) 10mm x 30mm Flat Washers
 (1) 10mm Lock Washer
 (1) 10mm Hex Nut



(Fig 3) Driver side Mounting Bracket assembly (non-tow hook models)



(Fig 4) Driver side Support Bracket in "no Tow Hook" position

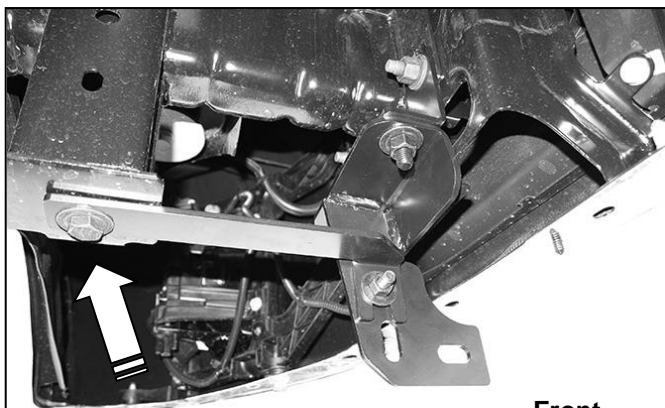
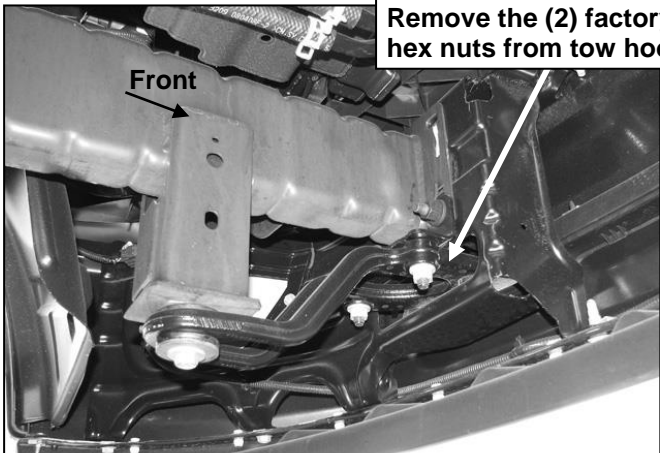


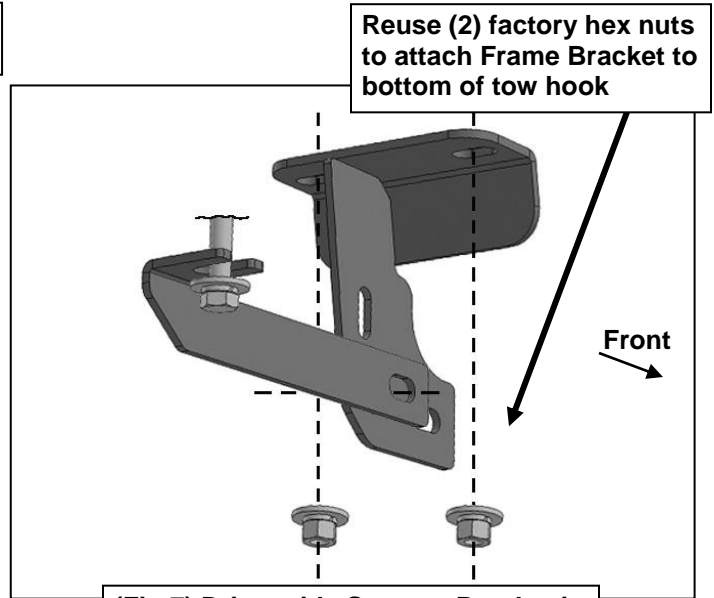
Fig 5

IMPORTANT: On models without tow hooks, use only the supplied (arrow) 12-1.5mm x 30mm Fine Thread Hex Bolt
 12mm Lock Washer
 12mm Flat Washer

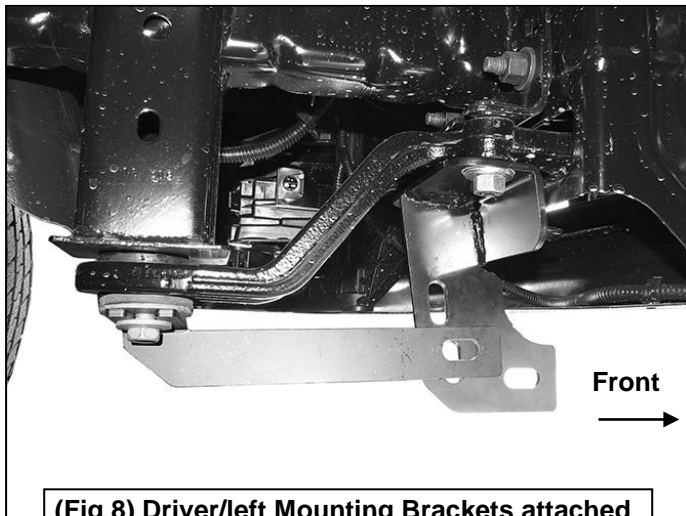
Driver Side Installation Pictured



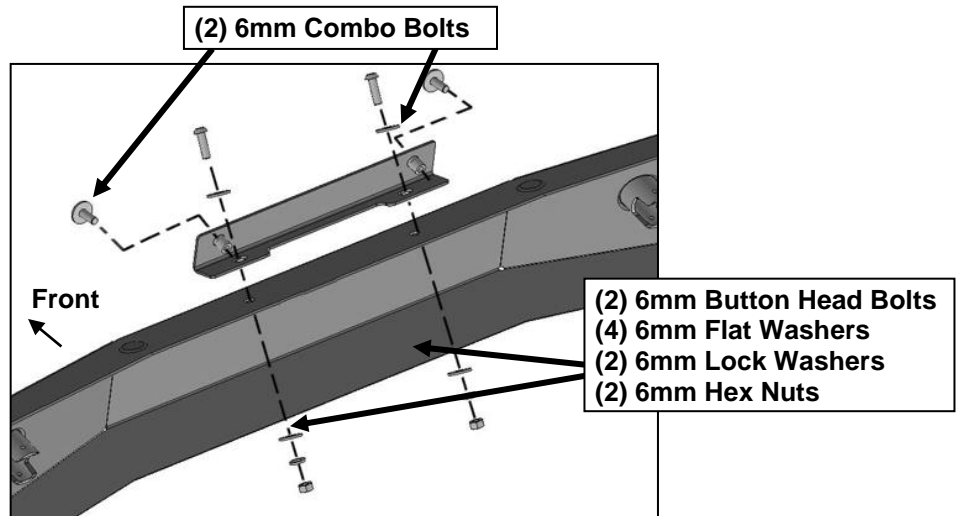
(Fig 6) Driver side mounting location pictured from behind bumper on tow hook equipped model



(Fig 7) Driver side Support Bracket in "with Tow Hook" position



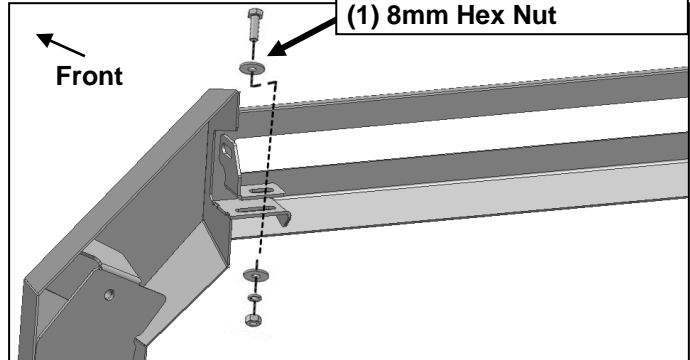
(Fig 8) Driver/left Mounting Brackets attached to bottom of Tow Hook and frame



(Fig 9) License Plate Bracket attached to the Bull Bar

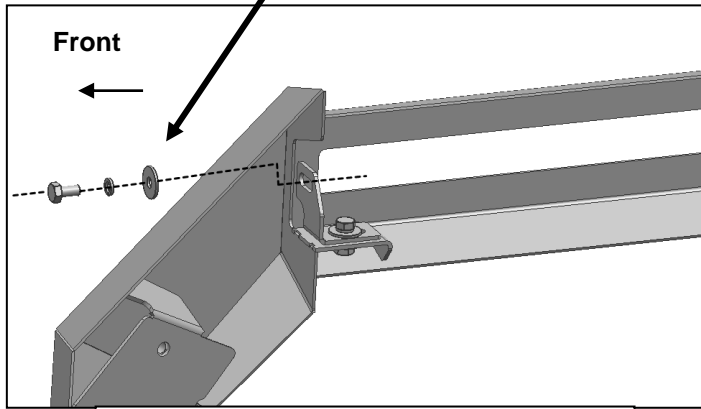
Driver Side Installation Pictured

- (1) 8mm x 20mm Hex Bolt
- (2) 8mm Flat Washers
- (1) 8mm Lock Washer
- (1) 8mm Hex Nut



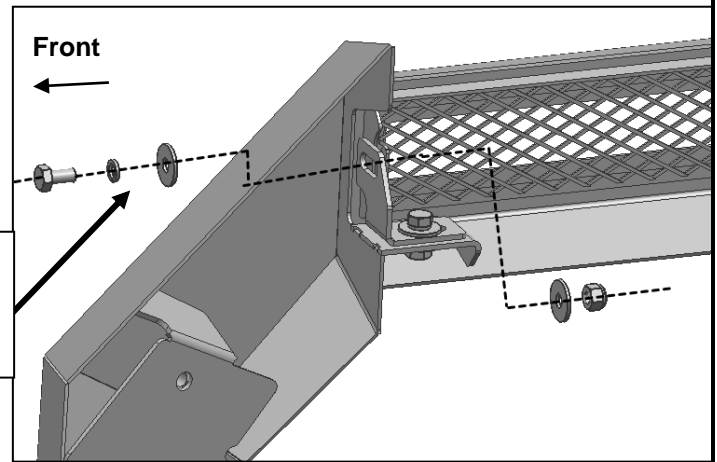
(Fig 10) Driver side light bar Bracket attached to the Bull Bar

- 8mm x 16mm Hex Bolt
- 8mm Lock Washer
- 8mm Flat Washer

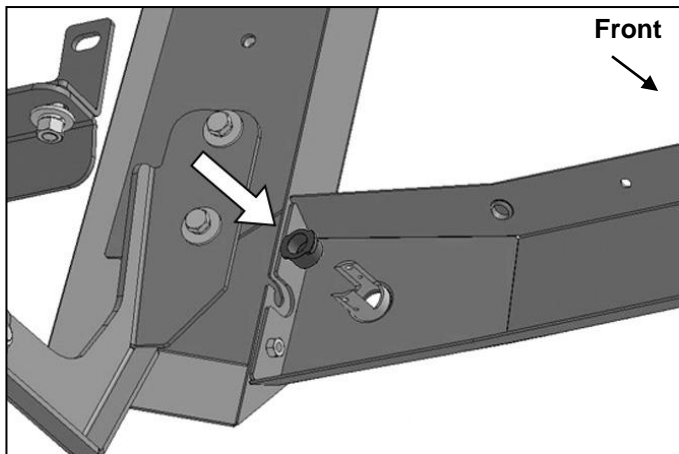


(Fig 11) Driver side light bar Bracket attached to the Bull Bar hardware

- (1) 8mm x 16mm Hex Bolt
- (2) 8mm Flat Washers
- (1) 8mm Lock Washer
- (1) 8mm Hex Nut

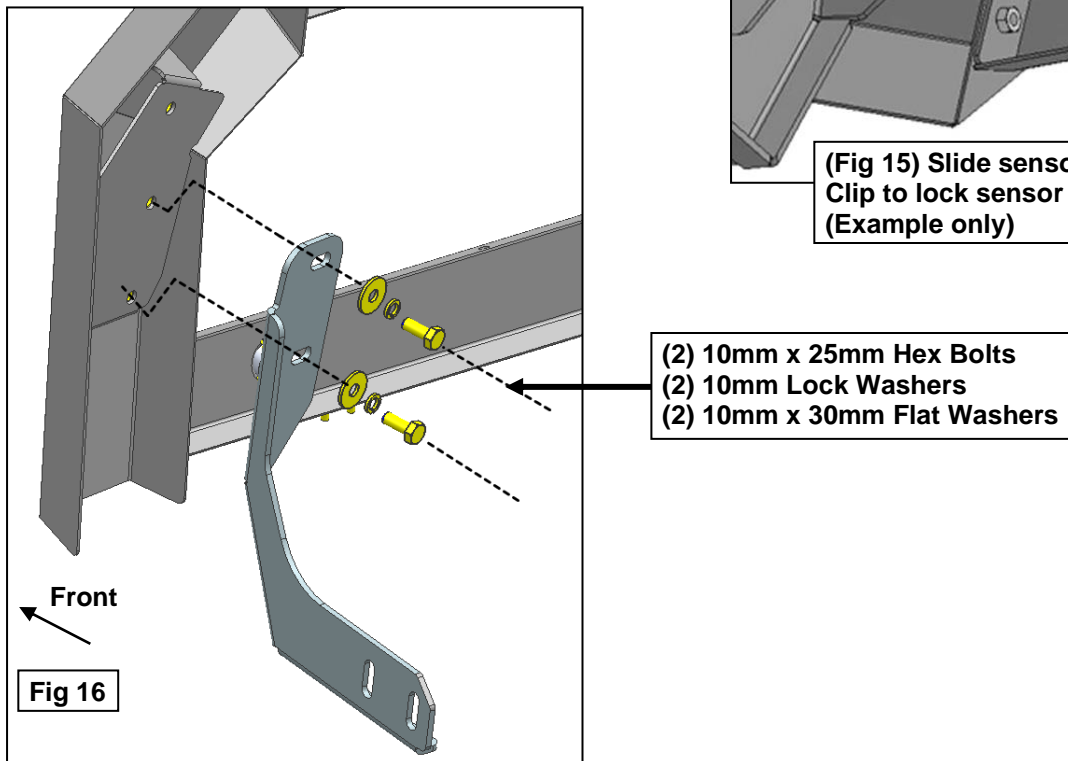
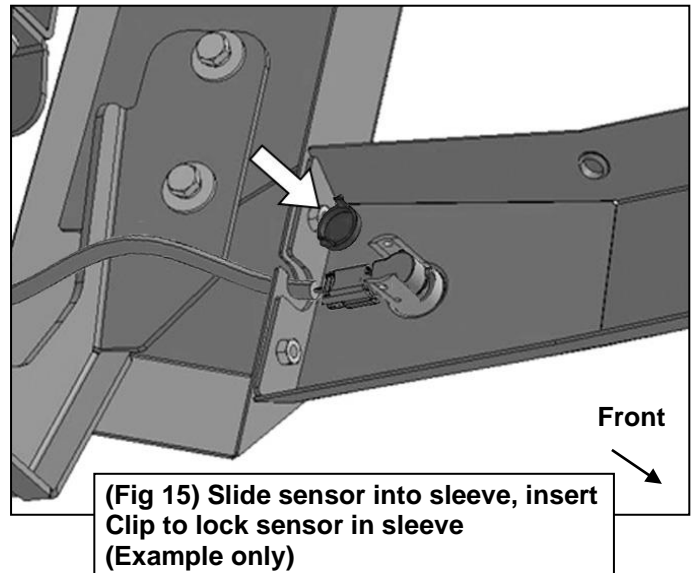
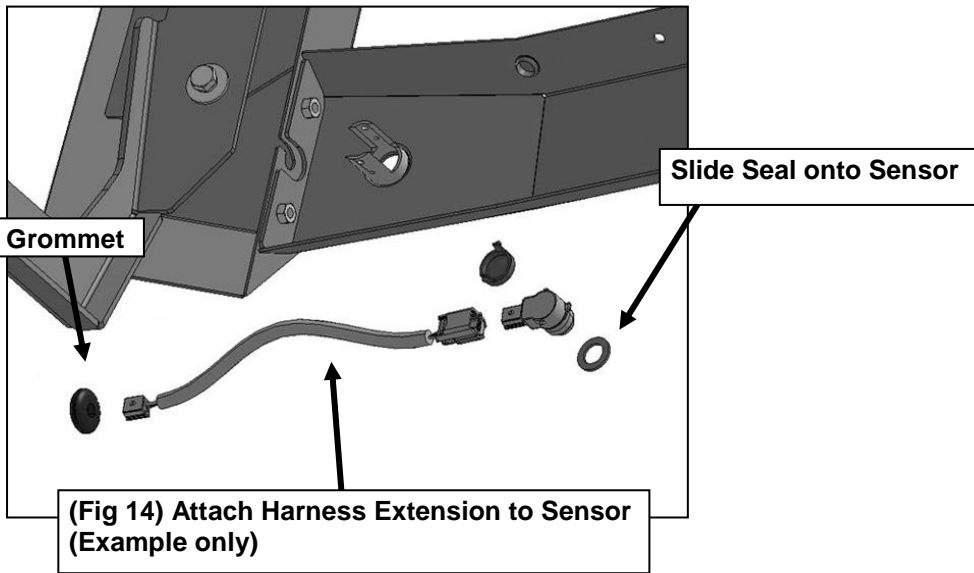


(Fig 12) Driver side light bar Bracket attached to Mesh hardware

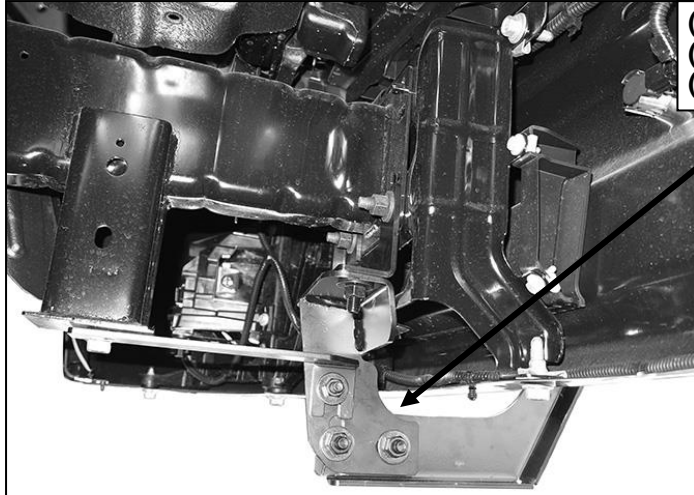


(Fig 13) Insert Plugs for models without sensors
(Example only)

Driver Side Installation Pictured



Driver Side Installation Pictured



- (2) 12mm x 30mm Hex Bolts
- (4) 12mm Flat Washers
- (2) 12mm Nylon Lock Nuts

(Fig 17) Attach Bull Bar assembly to Mounting Bracket

Cut only what is needed to insert bracket through the splash guard. Do not cut through the front edge of the splash guard

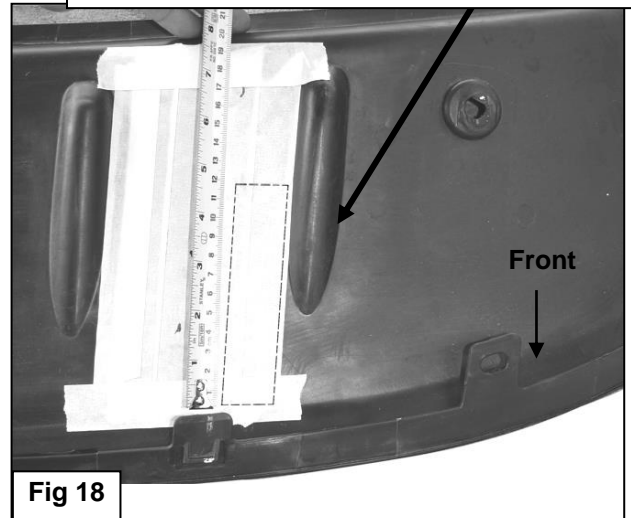


Fig 18

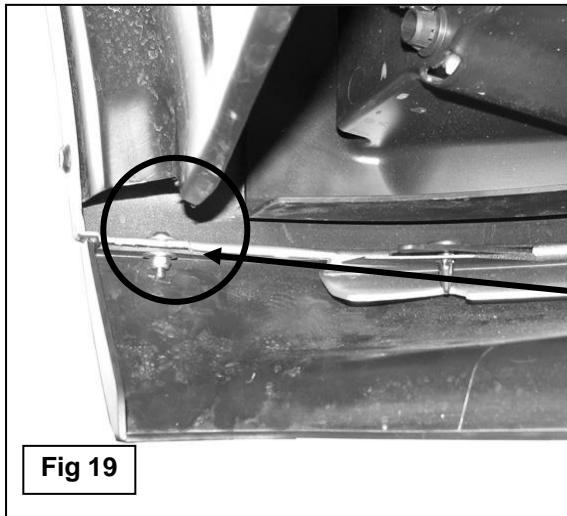


Fig 19

If required, replace the rivet at the corner of the splash guard with the supplied:
(1) 5mm x 20mm Button Head Bolt
(2) 5mm Flat Washers
(1) 5mm Nylon Lock Nut



(Fig 20) Models with sensors, slide Grommet over small end of Harness Extension. Push Grommet into hole in bumper and attach to wiring harness