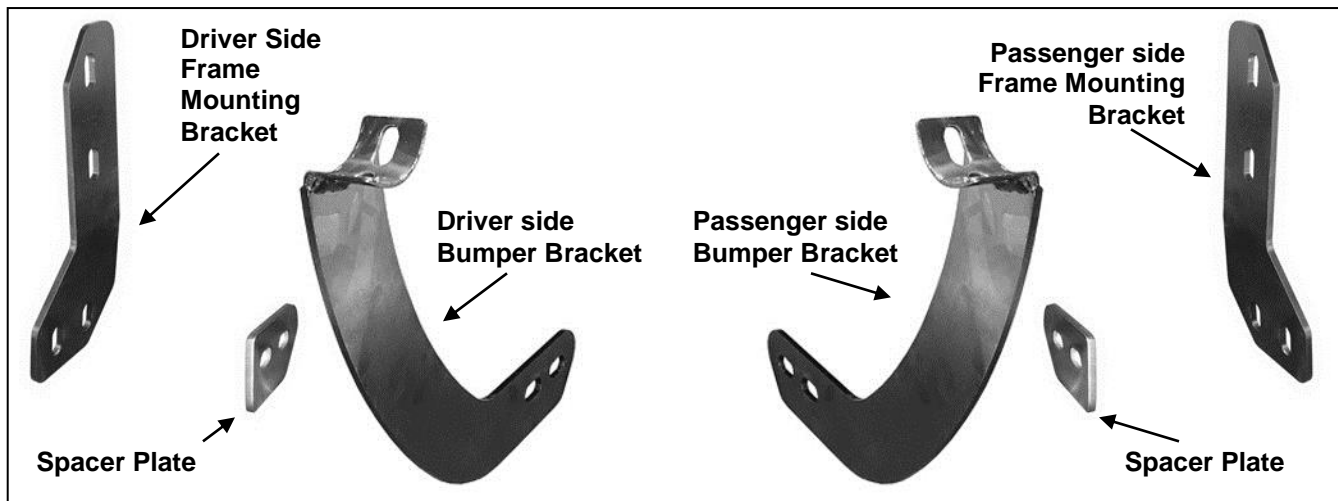




**INSTALLATION INSTRUCTIONS**  
**PART # 8GMTRSS/8GMTRA**  
**REAR BUMPER GUARD**  
**CHEVY EQUINOX/GMC TERRAIN 2010+ (SINGLE TUBE)**

**PARTS LIST:**

1	Rear Bumper	4	12-1.75mm x 30mm Hex Bolts
1	Driver Side/Left Frame Bracket	4	12mm Lock Washers
1	Passenger Side/Right Frame Bracket	14	12mm x 32mm OD x 3mm Flat Washers
1	Driver Side/Left Bumper Bracket	4	12mm Nylon Lock Nuts
1	Passenger Side/Right Bumper Bracket	4	8-1.25mm x 25mm Hex Bolts
2	2-Slot Spacer Plates	4	8mm Lock Washers
4	12-1.75mm x 35mm Hex Bolts	4	8mm x 24mm OD x 2mm Flat Washers



**PROCEDURE:**

1. REMOVE CONTENTS FROM BOX. VERIFY ALL PARTS ARE PRESENT. READ INSTRUCTIONS CAREFULLY BEFORE STARTING INSTALLATION. ALLOW EXHAUST TO FULLY COOL BEFORE BEGINNING INSTALLATION.
2. Starting on the passenger side, locate the (2) threaded holes in the side of the rear body well, (Figure 1).
3. Select the passenger side Frame Bracket and position it up to the mounting location. Secure the Frame Bracket to the rear well with the included (2) 12mm x 30mm Hex Bolts, (2) 12mm Lock Washers and (2) 12mm Flat Washers, (Figure 2). Snug but do not tighten hardware at this time. **NOTE:** The slight bend in the Frame Bracket will go toward the outside of the vehicle when properly installed.
4. Select the passenger side Mounting Bracket and attach it to the inside of the previously installed Frame Bracket with the included (2) 12mm x 35mm Hex Bolts, (4) 12mm Flat Washers and (2) 12mm Nylon Lock Nuts, (Figure 2). Snug but do not tighten hardware.
5. Repeat Steps 2-4 for driver side Bracket installation. **IMPORTANT! The driver side mounting location for the Frame Bracket is very close to the exhaust pipe. Allow exhaust pipe to cool before starting the installation.**
6. When properly mounted, the Mounting Brackets will be close to vertical. Due to significant variances in production vehicles, (2) extra 12mm Flat Washers have been included to provide more Frame Bracket adjustment. Insert (1) 12mm Flat Washer per side in the top mounting position between the Frame Bracket and the vehicle as necessary to align the Brackets, (Figures 3A & 3B).
7. Carefully position the Rear Bumper Guard onto the Mounting Brackets and line up the threaded inserts with the cradles on the Mounting Brackets. If the holes do not line up properly, (2) Spacers have been provided to provide additional width adjustment. Insert (1) Spacer between each Frame Bracket and Mounting Bracket to move the Mounting Brackets inward,

**(Figures 4A & 4B).** Bolt the Rear Bumper Guard to the Mounting Brackets with the included (4) 8mm x 25mm Hex Bolts, (4) 8mm Lock Washers and (4) 8mm Flat Washers, **(Figure 5).**

8. Align and adjust the Rear Bumper Guard properly and tighten all hardware.

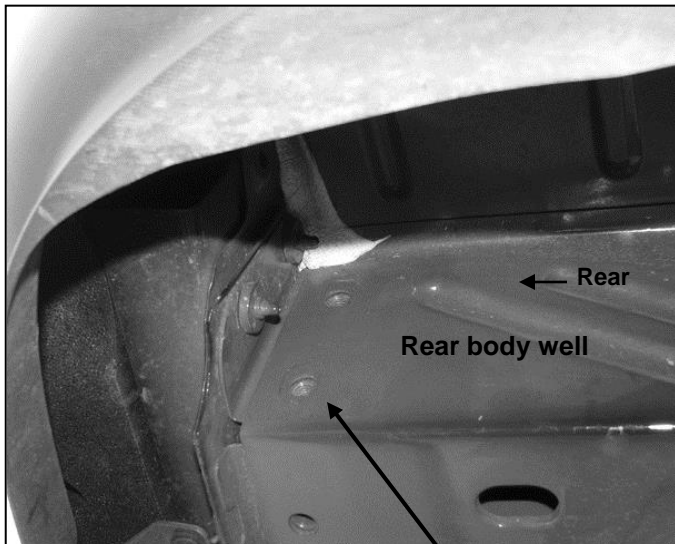
9. Do periodic inspections to the installation to make sure that all hardware is secure and tight.

**To protect your investment,** wax this product after installing. Regular waxing is recommended to add a protective layer over the finish. Do not use any type of polish or wax that may contain abrasives that could damage the finish.

**For stainless steel:** Aluminum polish may be used to polish small scratches and scuffs on the finish. Mild soap may be used also to clean the Rear Bumper Guard.

**For gloss black finishes:** Mild soap may be used to clean the Rear Bumper Guard.

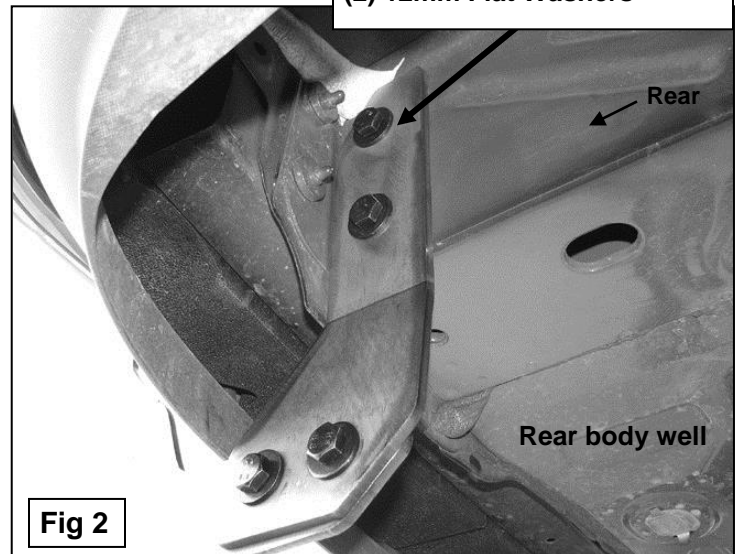
### Passenger Side Installation Pictured



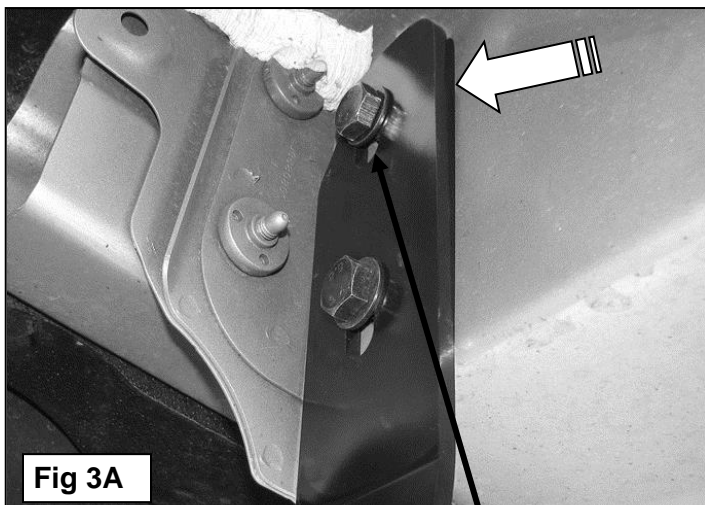
**(Fig 1) Passenger Side Frame Bracket Location**

**Muffler/Exhaust Pipe Warning:**  
**IMPORTANT!** Due to close proximity of the Frame Bracket to the exhaust pipe, allow exhaust pipe to cool before starting the installation.

(2) 12mm x 30mm Hex Bolts  
(2) 12mm Lock Washers  
(2) 12mm Flat Washers



**Fig 2**



**Fig 3A**

For additional angle adjustment, insert (1) 12mm Flat Washer (per side) into the top location onto the 12mm x 30mm Hex Bolt, between the Frame Bracket and the vehicle



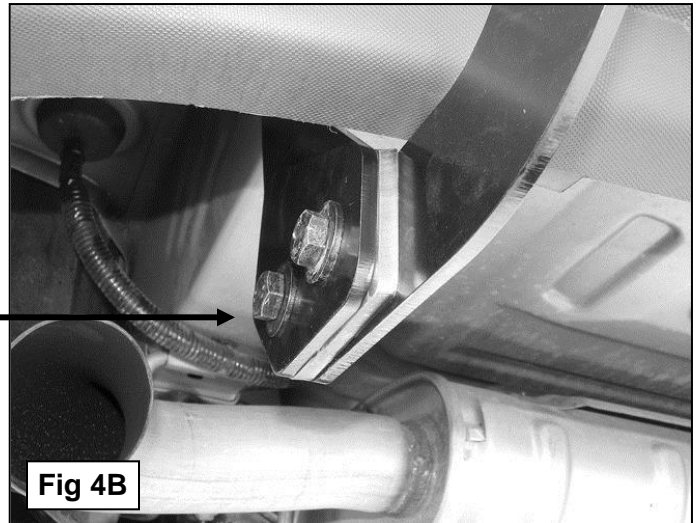
**Fig 3B (back of passenger side Bracket pictured)**

**Driver Side Installation Pictured**

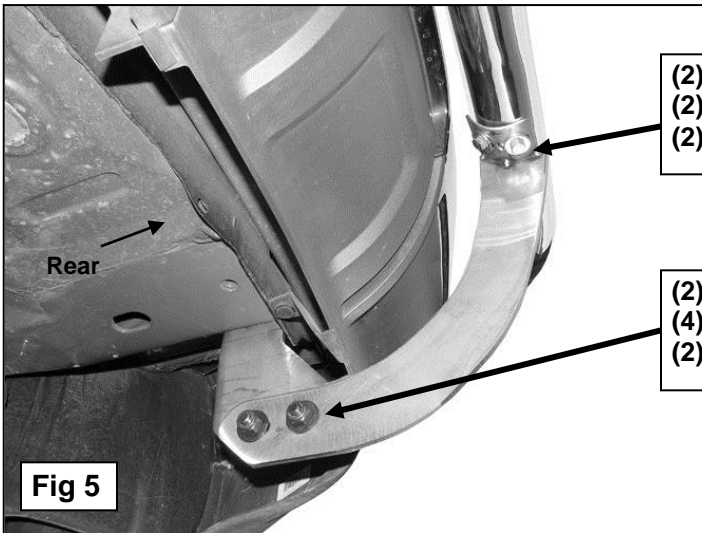


**Fig 4A**

For additional width adjustment,  
insert (1) Spacer between each  
Frame Bracket and Mounting  
Bracket to move Brackets inward



**Fig 4B**



**Fig 5**

- (2) 8mm x 25mm Hex Bolts
- (2) 8mm Lock Washers
- (2) 8mm Flat Washers

- (2) 12mm x 35mm Hex Bolts
- (4) 12mm Flat Washers
- (2) 12mm Nylon Lock Nuts



**Complete Installation**