

# **INSTALLATION INSTRUCTION**

**SS Rear Bumper  
Guard Double Tube  
09-12 Toyota Venza  
PART # 8DGMVZSS**



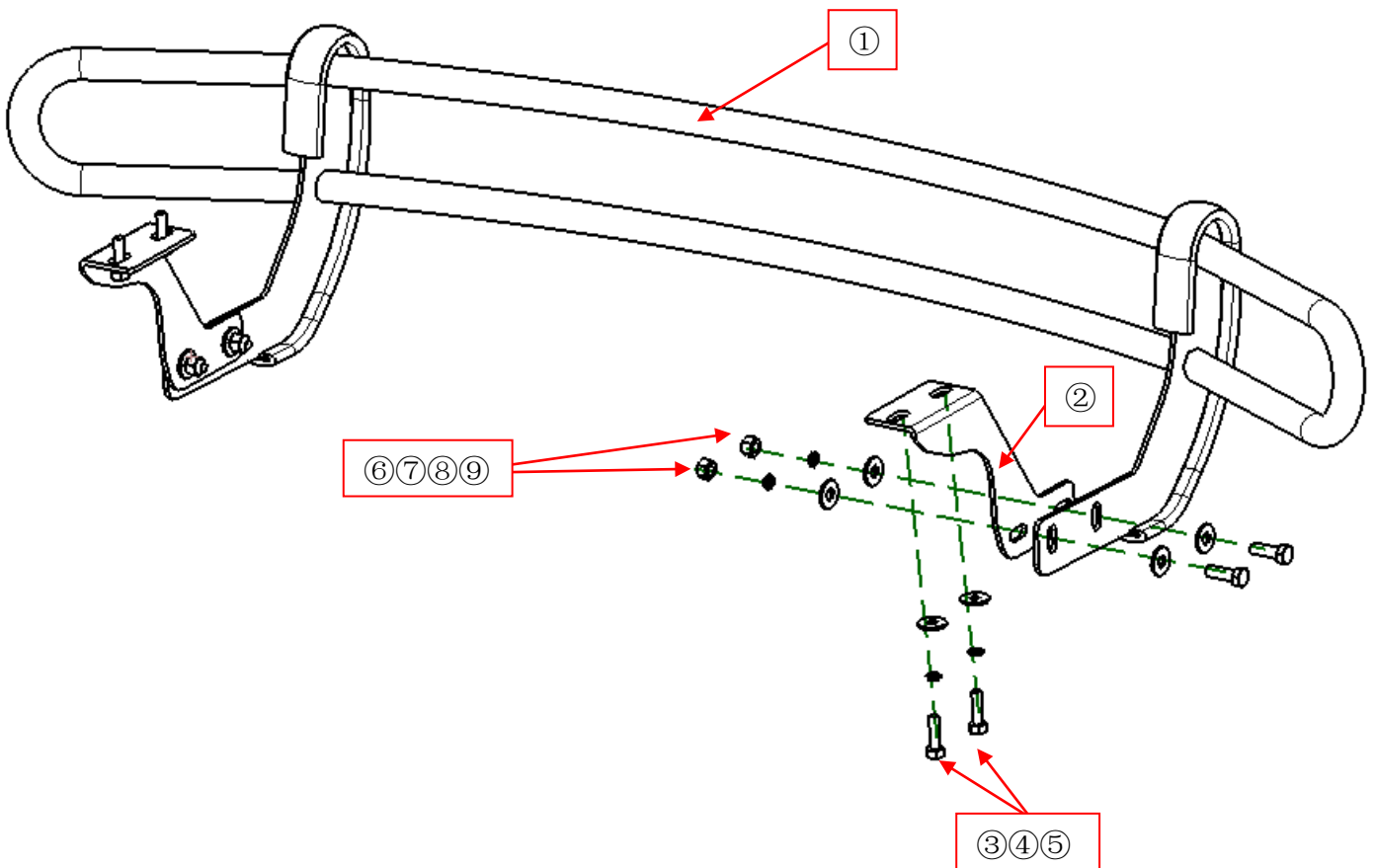
Attention:

- Please read this installation menu before installing this part. Protect your car properly in case there is any scratch might have.
- You may need to periodically to re-tighten all hardware for safety use after installation.
- Installation pictures are only for your reference, there might be some differences between pictures and real parts but no affect for your fitting.

PART LIST :

NO.	NAME	QTY	REMARK	NO.	NAME	QTY	REMARK
①	Rear Bumper	1		⑥	Hexagon Bolt	4	M12*30
②	Bracket	2		⑦	Large Washer	8	φ12*30*3.0
③	Hexagon Bolt (fine thread)	4	M10*35	⑧	Spring Washer	4	φ12
④	Spring Washer	4	φ10	⑨	Hexagon Nut	4	M12
⑤	Large Washer	4	φ10*30*2.5				

**INSTALLATION PICTURE**



Disclaimer: Caused due to improper installation initiates some related problem and losses, are beyond our company's quality assurance.

[Learn more about other grille guards and bull bars by Black Horse on our website.](#)