



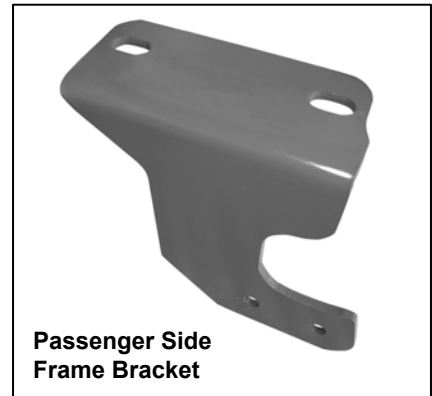
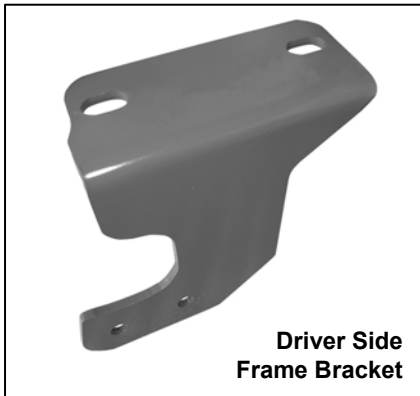
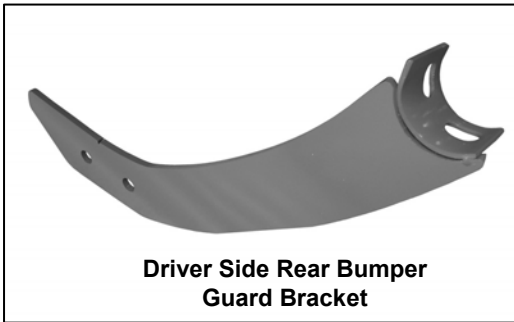
INSTALLATION INSTRUCTIONS

PART#: 8D118501SS\8D118501BK
REAR BUMPER GUARD GOR NISSAN MURANO 09-UP(SINGLE TUBE)



PARTS LIST:

| | | | |
|---|-------------------------------|----|---|
| 1 | Rear Bumper Guard | 4 | 12-1.25mm x 40mm Hex Head Bolts (fine thread) |
| 1 | Driver/left Frame Bracket | 4 | 12-1.75mm x 35mm Hex Head Bolts |
| 1 | Driver/Left RBG Bracket | 4 | 12mm Lock Washers |
| 1 | Passenger/Right Frame Bracket | 4 | 12mm Hex Nuts |
| 1 | Passenger/Right RBG Bracket | 12 | 12mm ID x 37mm OD x 3mm Flat Washers |
| | | 4 | 8-1.25mm x 25mm Hex Head Bolts |
| | | 4 | 8mm Lock Washers |
| | | 4 | 8mm ID x 24mm OD x 2mm Flat Washers |



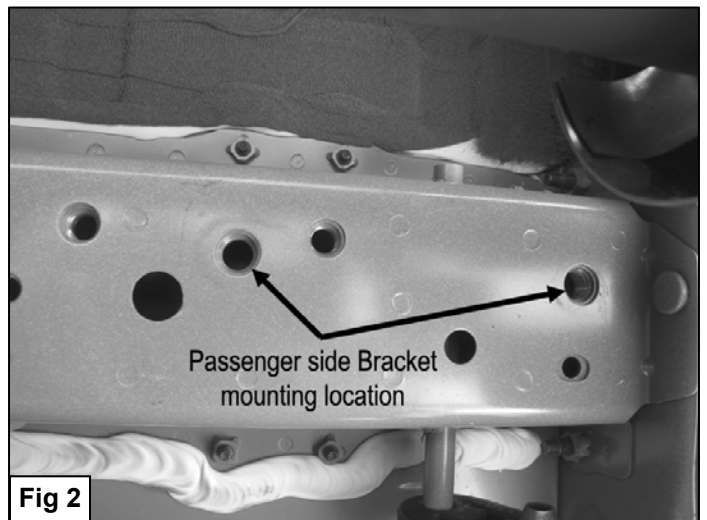
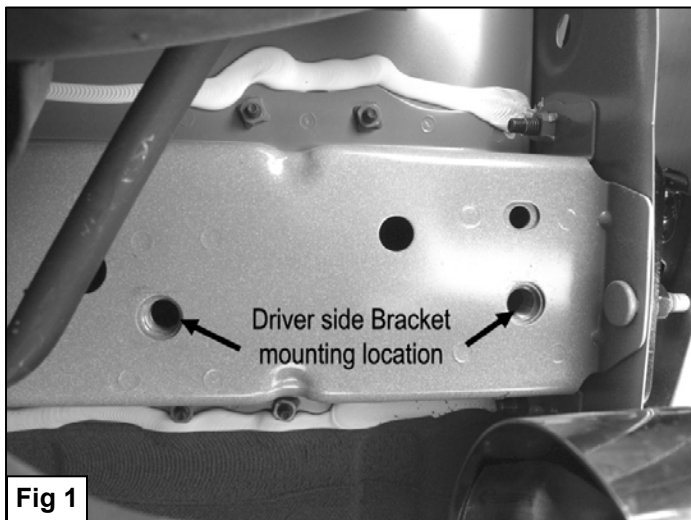
PROCEDURE:

1. **REMOVE CONTENTS FROM BOX. VERIFY ALL PARTS ARE PRESENT. READ INSTRUCTIONS CAREFULLY BEFORE STARTING INSTALLATION.**
2. From underside of vehicle, locate the two 12-1.25mm threaded holes in each of the frame rails by the rear bumper (**Figure 1 & 2**).
3. With the 90° degree bend to the outside of the vehicle, partially hang driver side Frame Bracket from factory threaded holes using the included (2) 12-1.25mm x 40mm Hex Head Bolts (fine thread) and (2) 12mm Flat Washers (**Figure 3**).
4. Partially attach RBG Bracket on the outside of Frame Bracket using the included (2) 12mm x 35mm Hex Head Bolts, (2) 12mm Lock Washers, (2) 12mm Hex Nuts, and (4) 12mm Flat Washers (**Figure 4**). **NOTE:** Cradles on the RGB Bracket should be facing the inside of the vehicle.
5. Repeat steps 3 & 4 for passenger side.
6. Position Rear Bumper Guard onto Mounting Brackets and attach it using the included (4) 8mm x 25mm Hex Head Bolts, (4) 8mm Lock Washers, and (4) 8mm Flat Washers (**Figure 5**). Do not tighten at this time.
7. Level and align Rear Bumper Guard properly; and then tighten all hardware at this time.
8. Do periodic inspections to the installation to make sure that all hardware is secure and tight.

To protect your investment, wax this product after installing. Regular waxing is recommended to add a protective layer over the finish. Do not use any type of polish or wax that may contain abrasives that could damage the finish.

For stainless steel: Aluminum polish may be used to polish small scratches and scuffs on the finish. Mild soap may be used also to clean the Sidebar.

For gloss black finishes: Mild soap may be used to clean the product.



(Driver Side Installation Shown)

REAR BUMPER GUARD FOR NISSAN MURANO 09-UP(SINGLE TUBE)

