

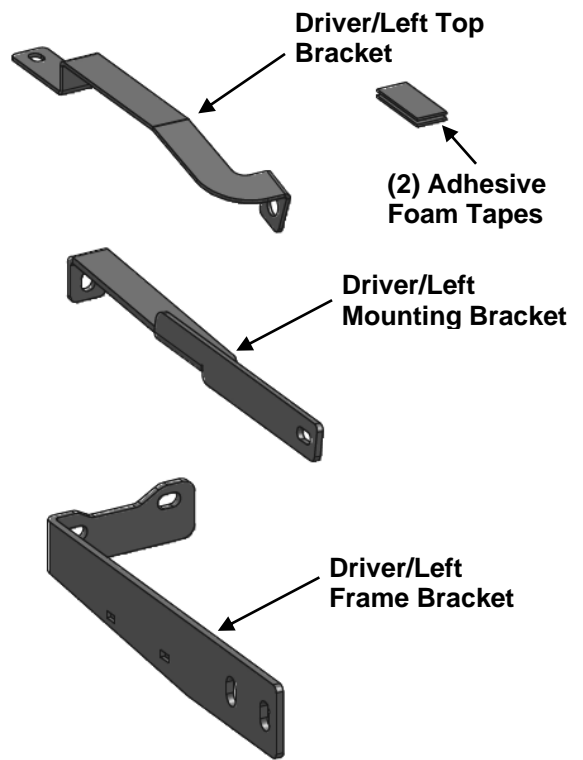
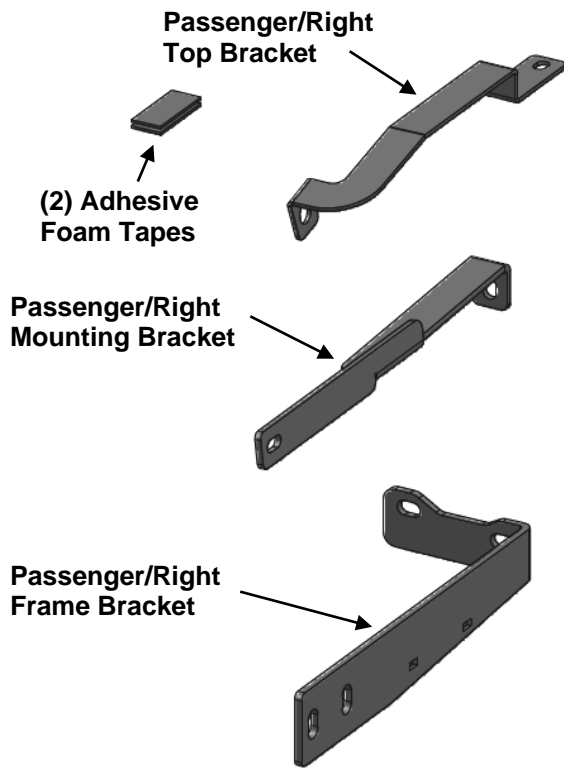


**INSTALLATION INSTRUCTIONS**  
**BLACK MODULAR GRILLE GUARD FOR 2020 KIA TELLURIDE**  
**PART # 17KI01MA**

BLACK MODULAR GRILLE GUARD FOR 2020 KIA TELLURIDE

**PARTS LIST:**

1	Grille Guard	6	8mm Spring Washers
1	Left Brush Guard	26	8mm x 24mm x 2mm Flat Washers
1	Right Brush Guard	6	8-1.25mm x 40mm Hex Bolts
1	Driver/Left Frame Brackets	4	8mm x 25mm Button Head Bolt
1	Passenger/Right Frame Brackets	6	8mm x 30mm Button Head Bolt
1	Driver/Left Mounting Bracket	10	8-1.25mm Nylon Lock Nuts
1	Passenger/Right Mounting Bracket	8	12mm x 24mm x 2.5mm Flat Washers
1	Driver/Left Top Bracket	6	12mm x 29mm x 5mm Large Flat Washers
1	Passenger/Right Top Bracket	4	12-1.75mm x 40mm Hex Bolts
4	Adhesive Foam Tapes	4	12-1.75mm Nylon Lock Nuts
1	Allen Wrench S=5		



**PROCEDURE:**

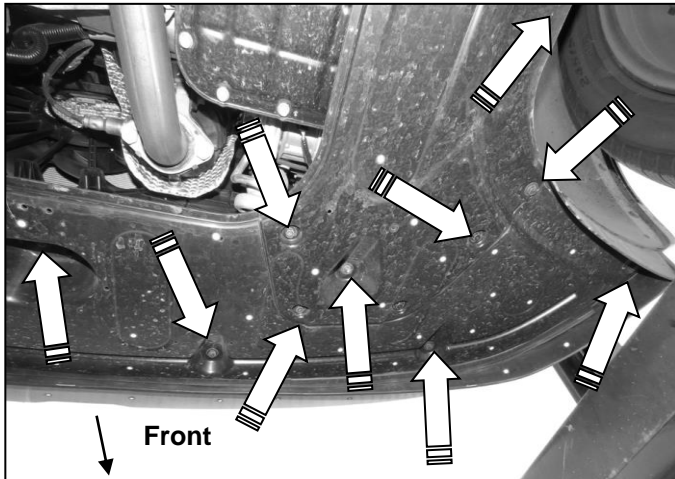
**REMOVE CONTENTS FROM BOX AND VERIFY ALL PARTS ARE PRESENT. READ INSTRUCTIONS CAREFULLY. DO NOT ATTEMPT INSTALLATION ALONE; PERSONAL INJURY OR DAMAGE TO THE VEHICLE MAY RESULT. CUTTING MAY BE REQUIRED. ASSISTANCE IS HIGHLY RECOMMENDED. INSTALLATION MAY INTERFERE WITH FRONT MOUNTED SENSORS.**

1. Start installation from the bottom of the vehicle. Carefully remove the fender of the original car and bolts. Place them on a clean, stable work area. **(Figures 1)**. To make reinstallation easier, note the type and location of all factory fasteners.
2. Remove the factory plastic grille, bolts and clips. Place them on a clean, stable work area. **(Figures 2&3)**
3. Remove three bolts from the original car anti-collision beam on the left and right sides. **(Figures 4&5)**
4. Attach the Driver/Left Frame Bracket and Driver/Left Mounting Bracket to the car with (3)12mm Large Flat Washers, (3)8mm Flat Washer, (3)8mm Spring Washers and (3)8x40mm Hex Bolts. The left and right installation methods are consistent. **(Figures 6)**
5. Cut two holes in the white area of the factory plastic grille on left, right sides also needed. **(Figures 7)** (upper hole is 60X60mm and lower hole is 75X75mm)
6. To find prominent point in the back of factory plastic grille, it is above front grille. **(Figures8)** Wear down and drill the  $\varnothing$ 10mm hole. The right and left side of holes are symmetrical.
7. Reinstall the factory plastic grille back to the car. **(Figures9)**
8. Reinstall the fender of the original car to the car. **(Figures10)**
9. Install the grille guard on the right brackets with (2) 12x40mm Hex Bolts, (4) 12mm Flat Washers and (2) 12mm Nylon Lock Nuts. The left and right installation methods are consistent. **(Figures11)**
10. Install the Right Brush Guard and Grille Guard to Passenger/Right Mounting Bracket with (1) 8x30mm Button Head Bolt, (2) 8x25mm Button Head Bolt, (6) 8mm Flat Washers and (3) 8mm Nylon Lock Nuts. The left and right installation methods are consistent. **(Figures12)**
11. Install the Passenger/Right Top Bracket to the grille guard and the car with (2) 8x30mm Button Head Bolt, (4) 8mm Flat Washers, (3) 8mm Nylon Lock Nuts. Stick Adhesive Foam Tapes on the brackets to protect the bumper surface during bracket installation. The left and right installation methods are consistent. **(Figures13)**

## BLACK MODULAR GRILLE GUARD FOR 2020 KIA TELLURIDE

**To protect your investment**, wax this product after installing. Regular waxing is recommended to add a protective layer over the finish. Do not use any type of polish or wax that may contain abrasives that could damage the finish. Mild soap may be used to clean the Grille Guard.

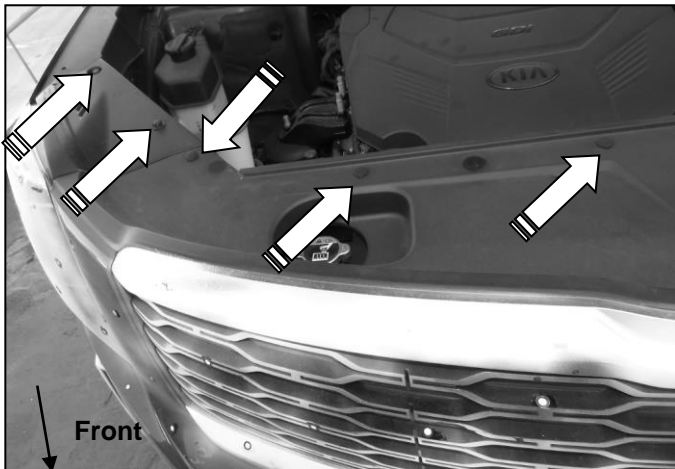
### Passenger/right Installation Pictured



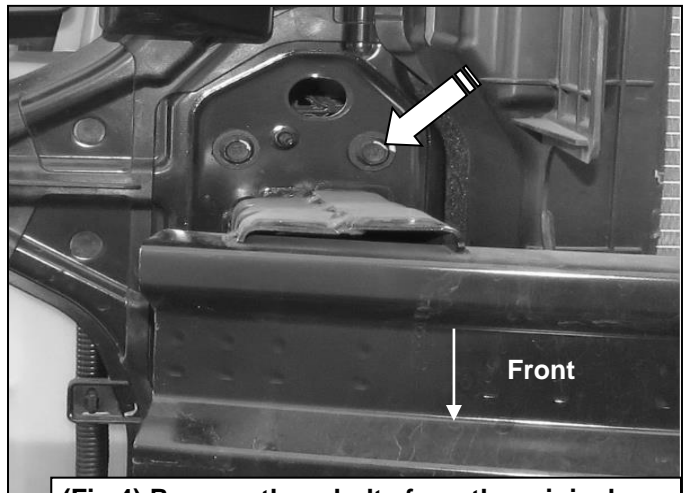
**(Fig 1)** Carefully remove the fender of the original car and bolts. Place them on a clean, stable work area.



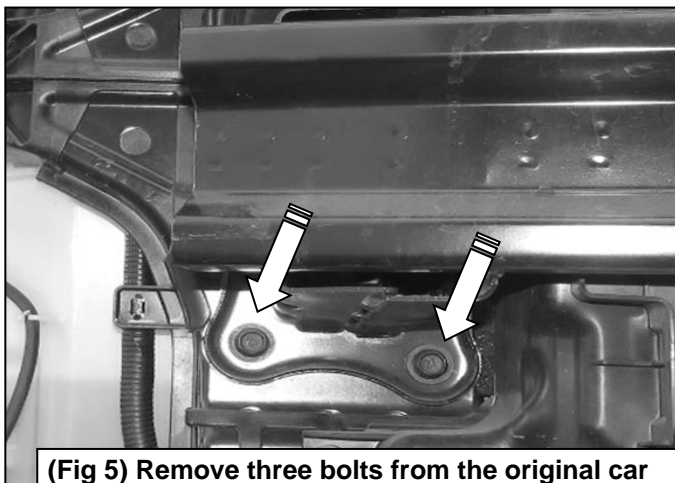
**(Fig 2)** Remove the factory plastic grille, bolts and clips. Place them on a clean, stable work area.



**(Fig 3)** Remove the factory plastic grille, bolts and clips. Place them on a clean, stable work area.

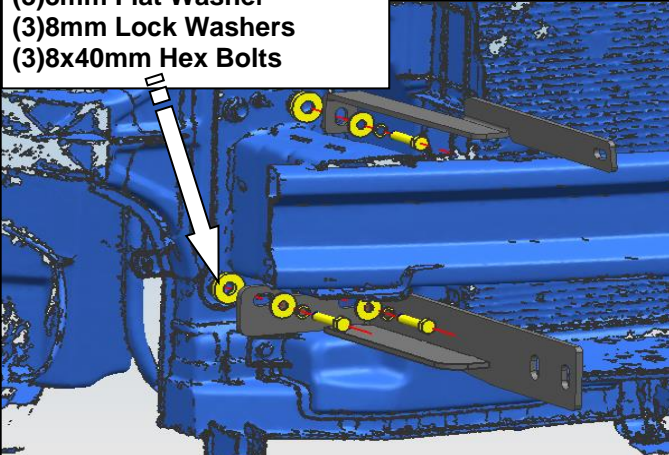


**(Fig 4)** Remove three bolts from the original car anti-collision beam on the left and right sides.

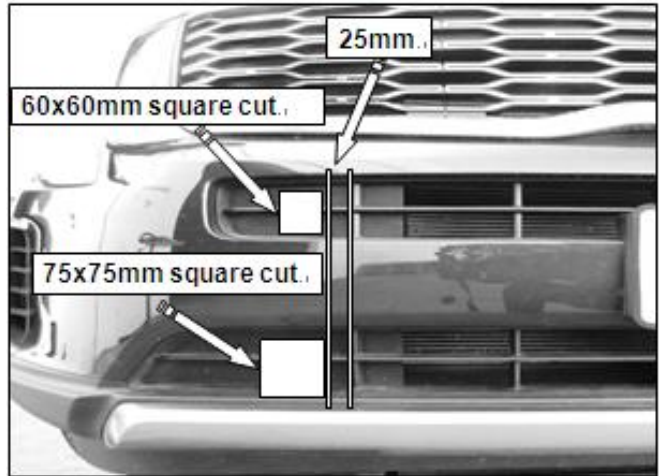


**(Fig 5)** Remove three bolts from the original car anti-collision beam on the left and right sides.

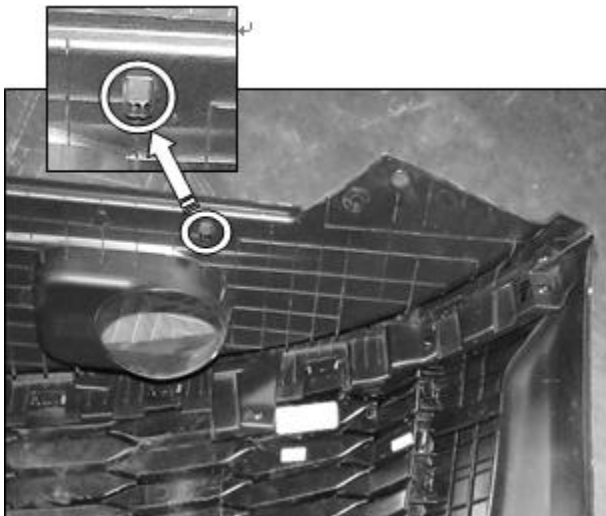
- (3)12mm Large Flat Washers
- (3)8mm Flat Washer
- (3)8mm Lock Washers
- (3)8x40mm Hex Bolts



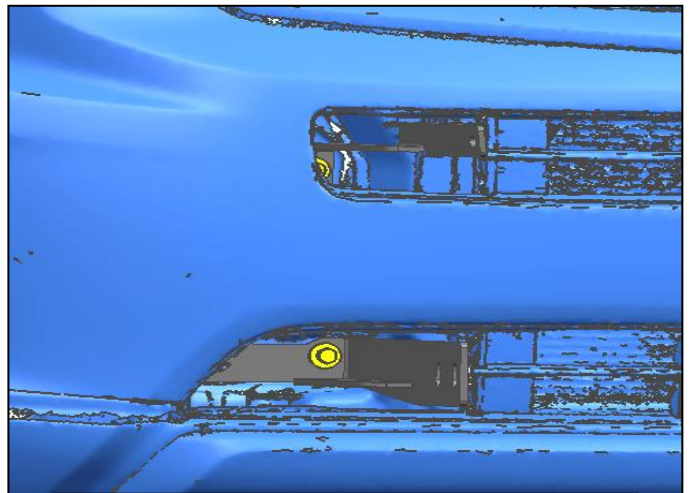
(Fig 6) Attach the Driver/Left Frame Bracket and Driver/Left Mounting Bracket to the car.



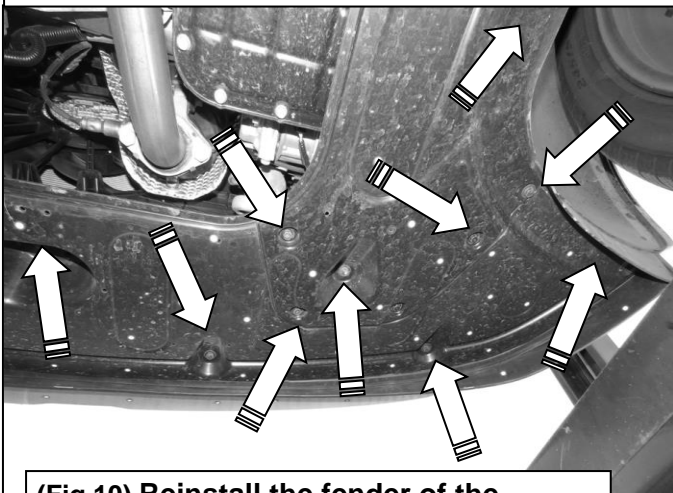
(Fig 7) Cut two holes in the white area of the factory plastic grille on left, right sides also needed.



(Fig 8) To find prominent point in the back of factory plastic grille, it is above front grille. Wear down and drill the  $\varnothing 10\text{mm}$  hole. The right and left side of holes are symmetrical.



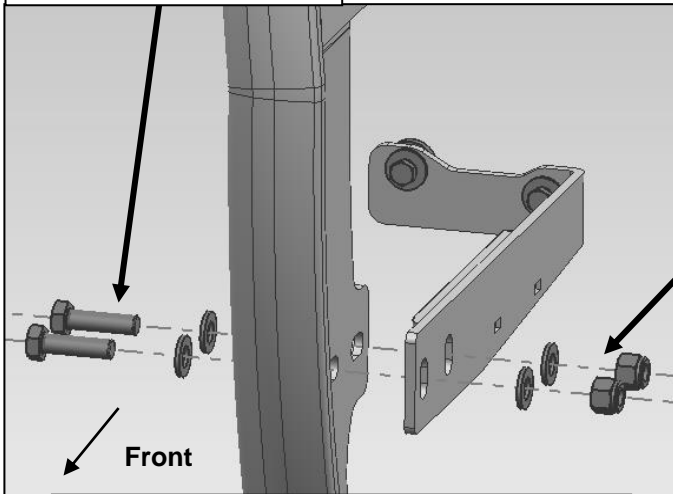
(Fig 9) Reinstall the factory plastic grille back to the car.



(Fig 10) Reinstall the fender of the original car to the car.

BLACK MODULAR GRILLE GUARD FOR 2020 KIA TELLURIDE  
Passenger/right Installation Pictured

- (2) 12x40mm Hex Bolts
- (2) 12mm Flat Washers

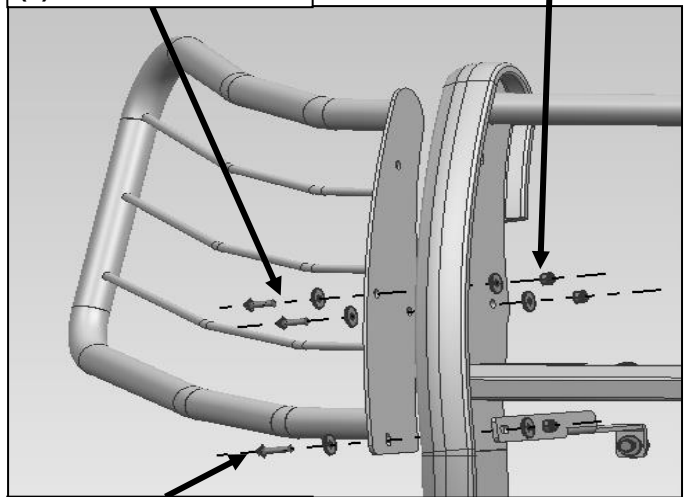


(Fig 11) Install the grille guard on the right brackets.

- (2) 12mm Flat Washers
- (2) 12mm Nylon Lock Nuts

- (2) 8x25mm Button Head Bolt
- (2) 8mm Flat Washers

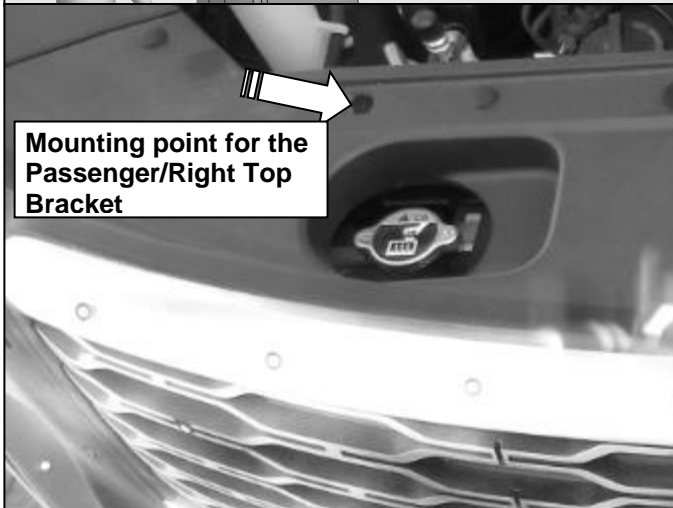
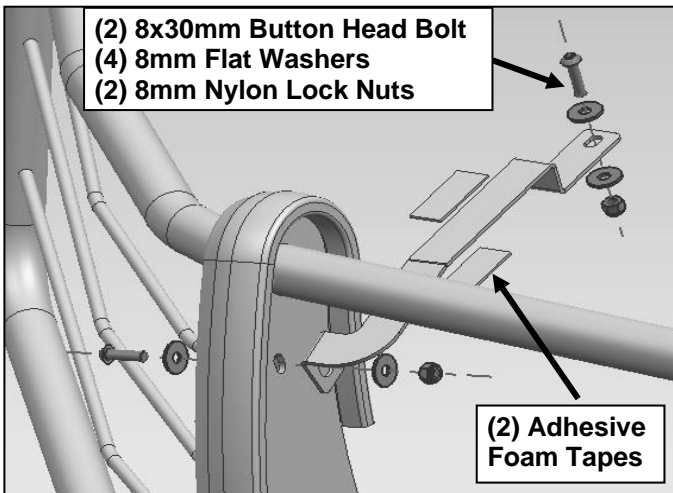
- (3) 8mm Flat Washers
- (3) 8mm Nylon Lock Nuts



- (1) 8x30mm Button Head Bolt
- (1) 8mm Flat Washers

(Fig 12) Install the Right Brush Guard and Grille Guard to Passenger/Right Mounting Bracket.

- (2) 8x30mm Button Head Bolt
- (4) 8mm Flat Washers
- (2) 8mm Nylon Lock Nuts



(Fig 13) Install the Passenger/Right Top Bracket to the grille guard and the car. Stick Adhesive Foam Tapes on the brackets to protect the bumper surface during bracket installation.





**Complete Installation**