



INSTALLATION INSTRUCTIONS
BLACK MODULAR GRILLE GUARD FOR 2020
CHEVY SILVERADO 2500/3500
PART # 17GT30MA

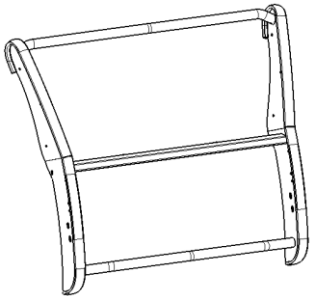
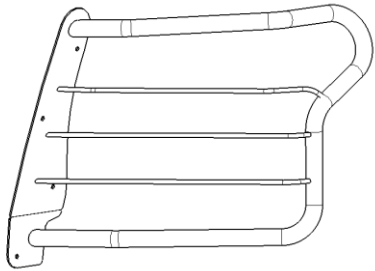
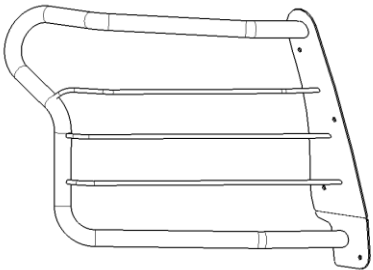
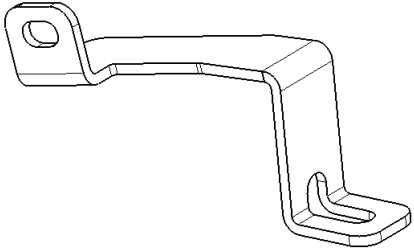
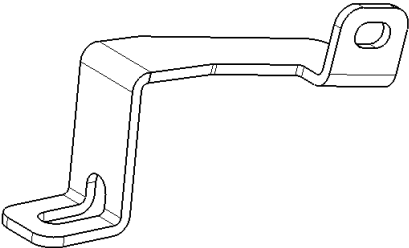
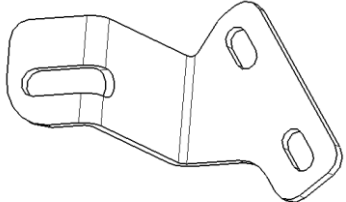
Before Installation

- Please read the instruction completely for easy installation, which will also help you to avoid scratches or other potential damages to your appealing car.
- The figures here are for reference only and may have differences with the actual product you received, however they share the same assembly way.

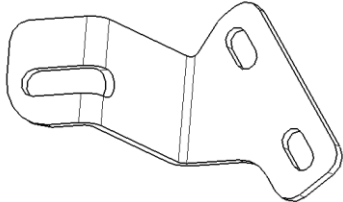
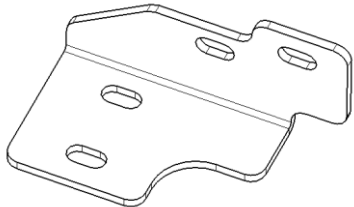
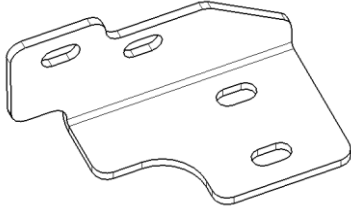
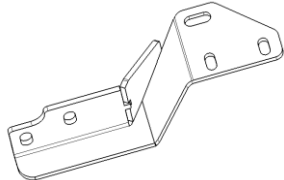
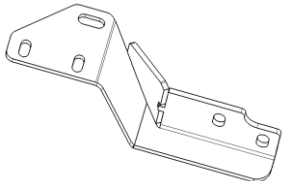
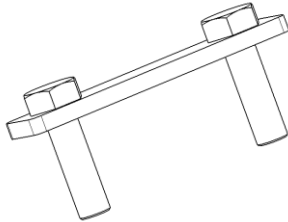
Care and Cleaning

- Mild soap may be used also to clean the Product.
- Please periodically check and retighten all the hardware and clean the investment for a refresh look.

Parts list

NO.	QTY	PIC	NO.	QTY	PIC
①	1	 Front Guard	②	1	 Left Brush Guard
③	1	 Right Brush Guard	④	1	 Driver/left Side Mounting Bracket 1
⑤	1	 Passenger/right Side Mounting Bracket 1	⑥	1	 Driver/left Side Mounting Bracket 2

BLACK MODULAR GRILLE GUARD FOR 2020 CHEVY SILVERADO 2500/3500

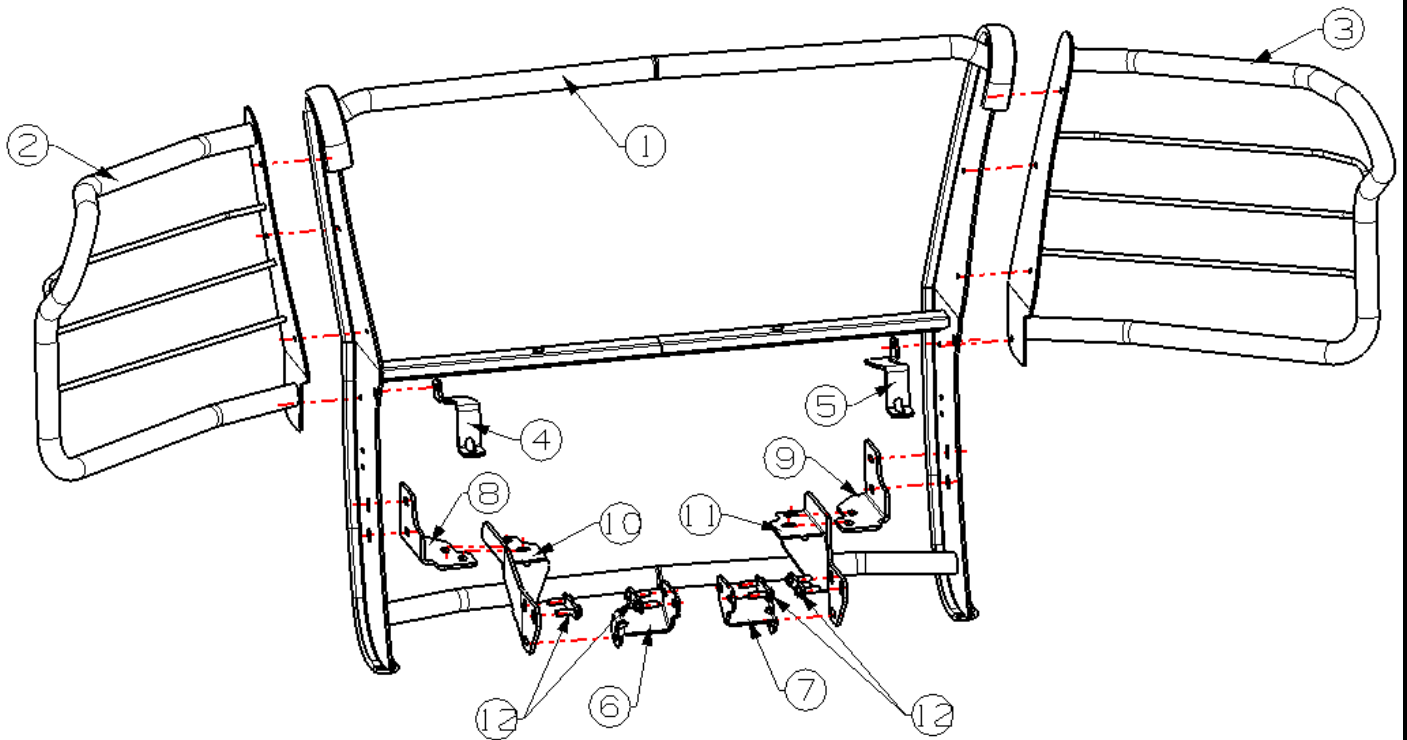
⑦	1	 <p>Passenger/right Side Mounting Bracket 2</p>	⑧	1	 <p>Driver/left Side Bracket 1</p>
⑨	1	 <p>Passenger/right Side Bracket 1</p>	⑩	1	 <p>Driver/left Side Bracket 2</p>
⑪	1	 <p>Passenger/right Side Bracket 2</p>	⑫	4	 <p>T Bolt (M10*35)</p>

Standard Parts:

NO.	DESCRIPTION	QTY	NO.	DESCRIPTION	QTY
⑬	Allen Wrench S=5	1	⑲	Hex Lock Nut M10	10
⑭	Flat Washer D8(8x24x2mm)	16	⑳	Hex Lock Nut M12	10
⑮	Flat Washer D12(12x37x3mm)	16	㉑	Hex Bolt M10_35	2
⑯	Flat Washer D12(12x24x2.5mm)	4	㉒	Hex Bolt M12_35	10
⑰	Button Head Bolt M8_25	8	㉓	Flat Washer D10_27_3	12
⑱	Hex Lock Nut M8	8			

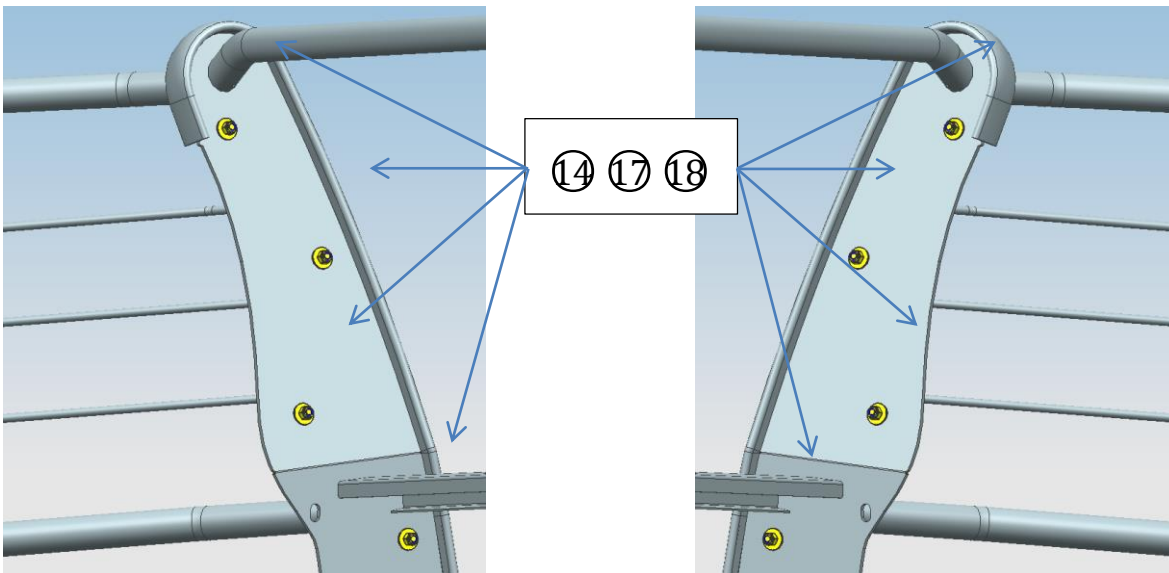
Installation Steps

INSTALLING PICTURE



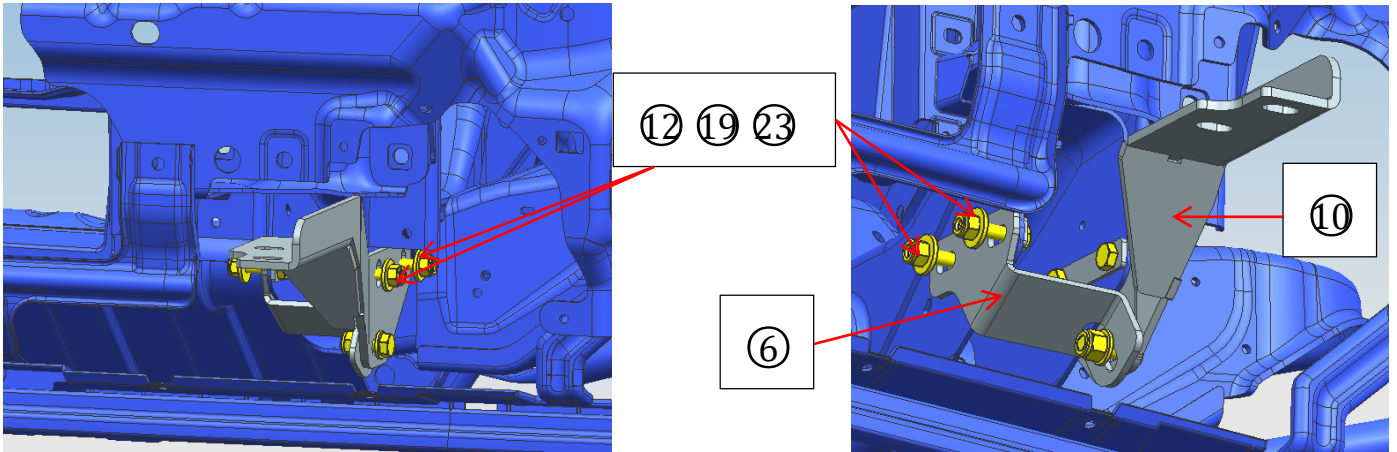
PROCEDURE:

Step 1: Use standard parts ⑭ ⑰ ⑱ to install left and right brush guards with front guard.

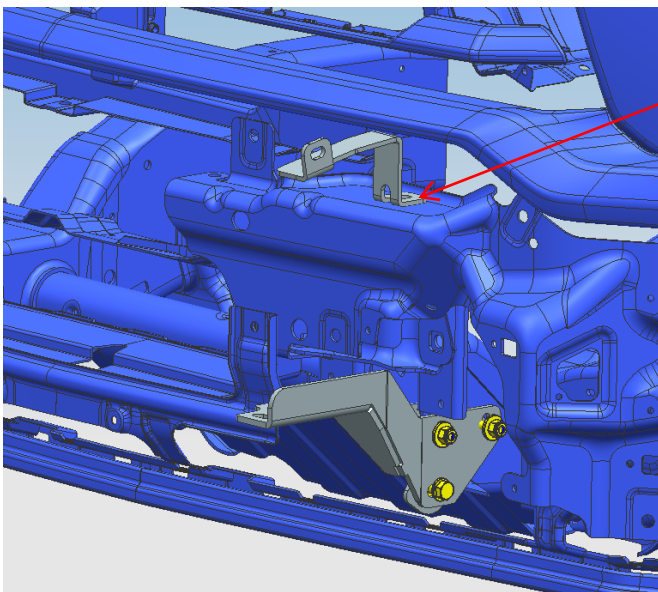


Step 2: Remove the plastic front bumper and the tow hook from the original car. Use standard parts ⑫ ⑲ ⑳ to install Driver/left Side Mounting Bracket 2 ⑥ and Driver/left Side Bracket 2 ⑩ to the girder. Use standard parts ⑰ ⑳ ㉑ to connect Driver/left Side Mounting Bracket 2 ⑥ and Driver/left Side Bracket 2 ⑩.

(Note: the following installation steps only show the left side, but the installation method is consistent from left to right)

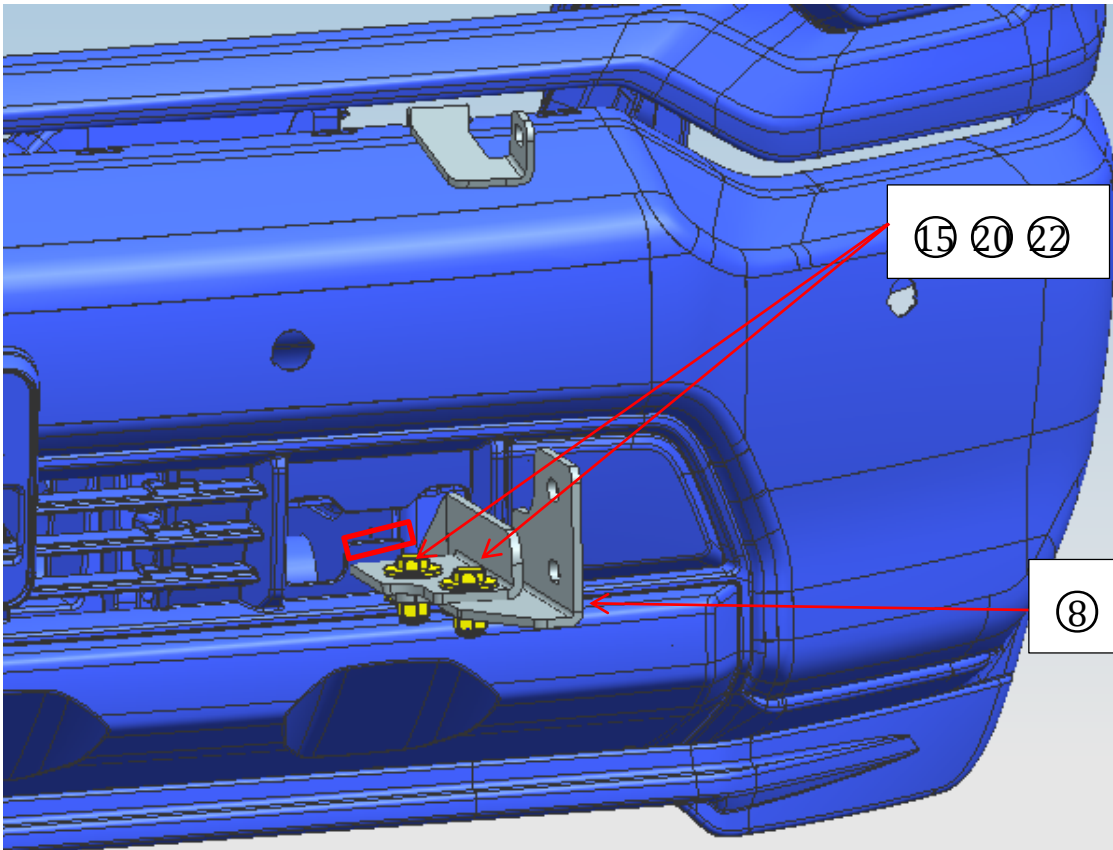


Step 3: Use the standard parts of the original vehicle to install Driver/left Side Mounting Bracket 1 (4) to the body.

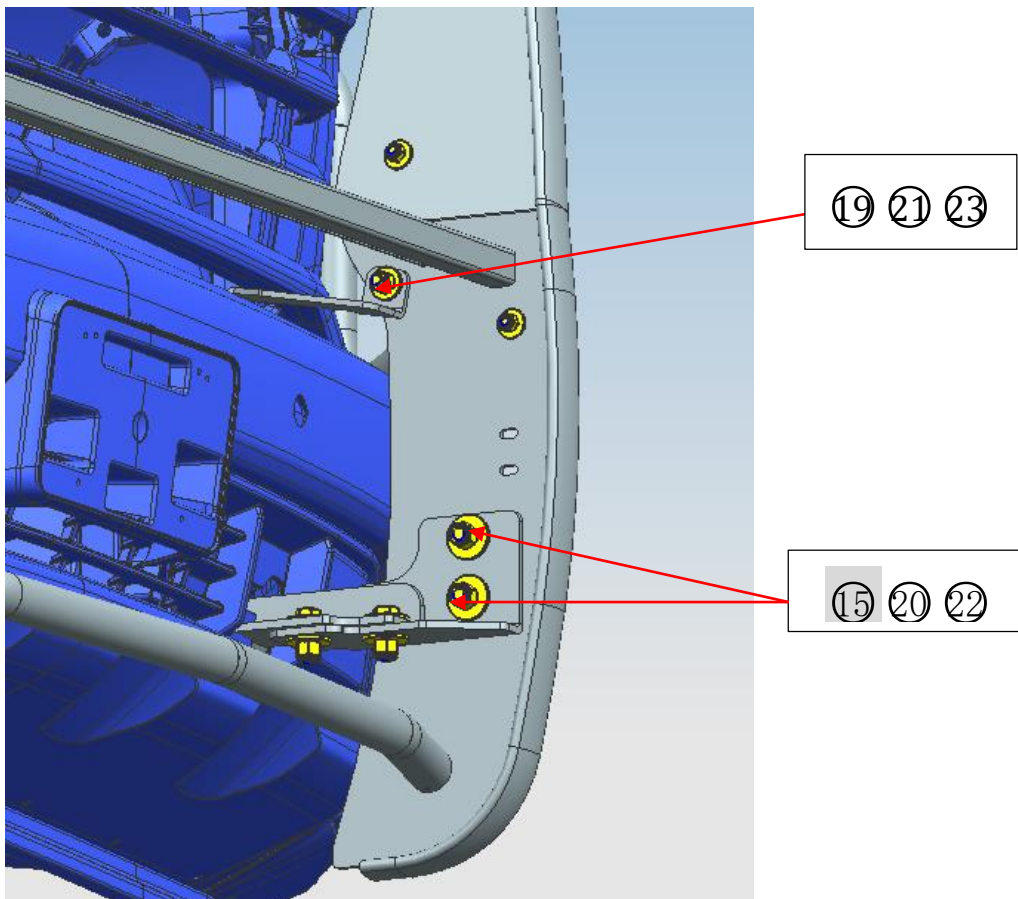


It is installed with standard parts of the original vehicle.

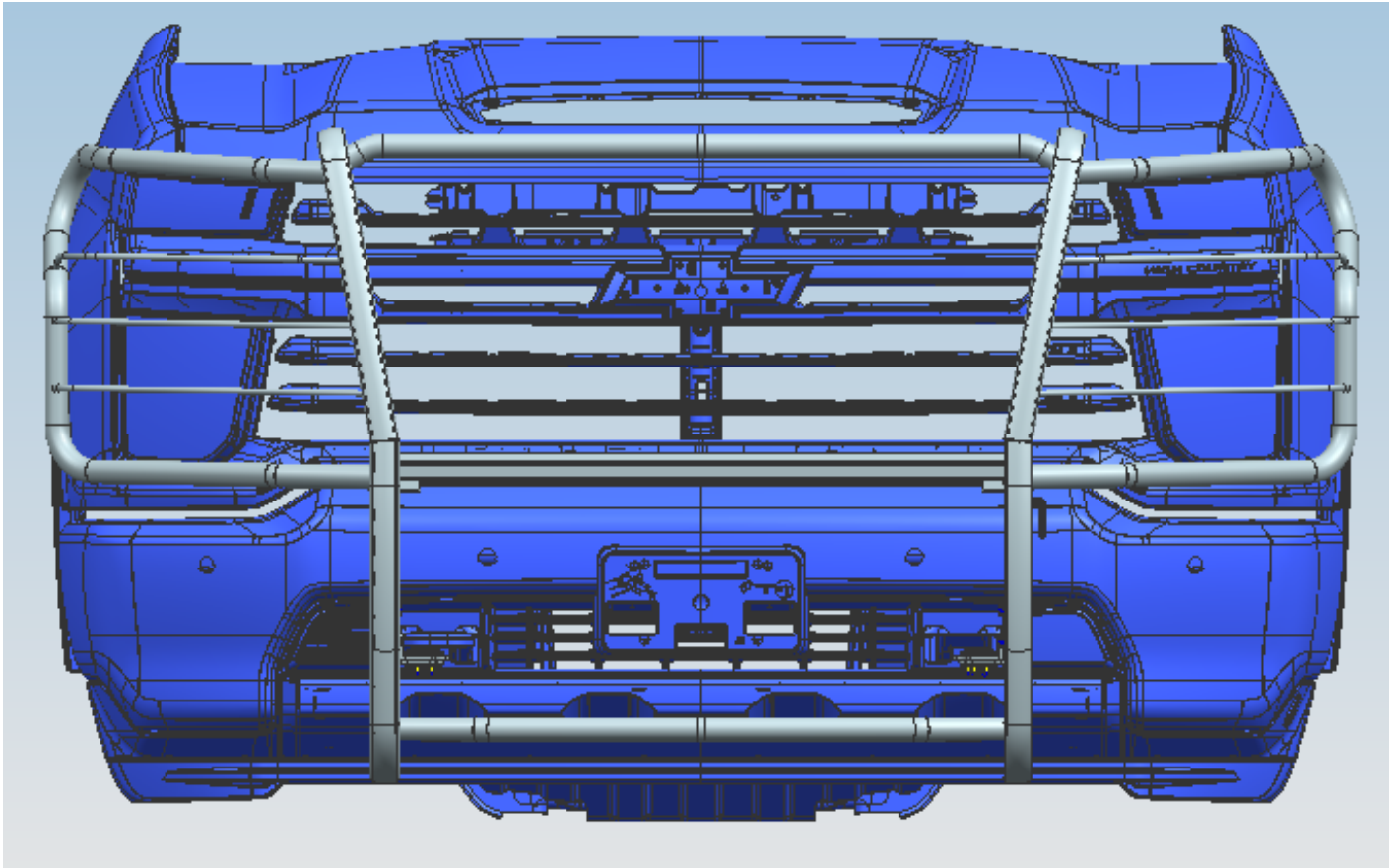
Step 4: Reinstall the plastic bumper. It is necessary to cut off the area surrounded by the interference of Driver/left Side Bracket 2 (10). Use standard parts (15) (20) (22) to install Driver/left Side Bracket 1 (8) to Driver/left Side Bracket 2 (10). Snug but do not tighten hardware.



Step5: Finally, use standard parts 19 21 23 and 15 20 22 to install the grille guard on Driver/left Side Bracket 1 8 and Driver/left Side Mounting Bracket 1 4 . Adjust to an appropriate position, and then tighten all the standard parts.



Step6: Installation is finished, pick up all tools.



NOTE

Any damages and losses caused by improper installation and application, goes beyond our quality warranty.