



# **INSTALLATION INSTRUCTIONS**

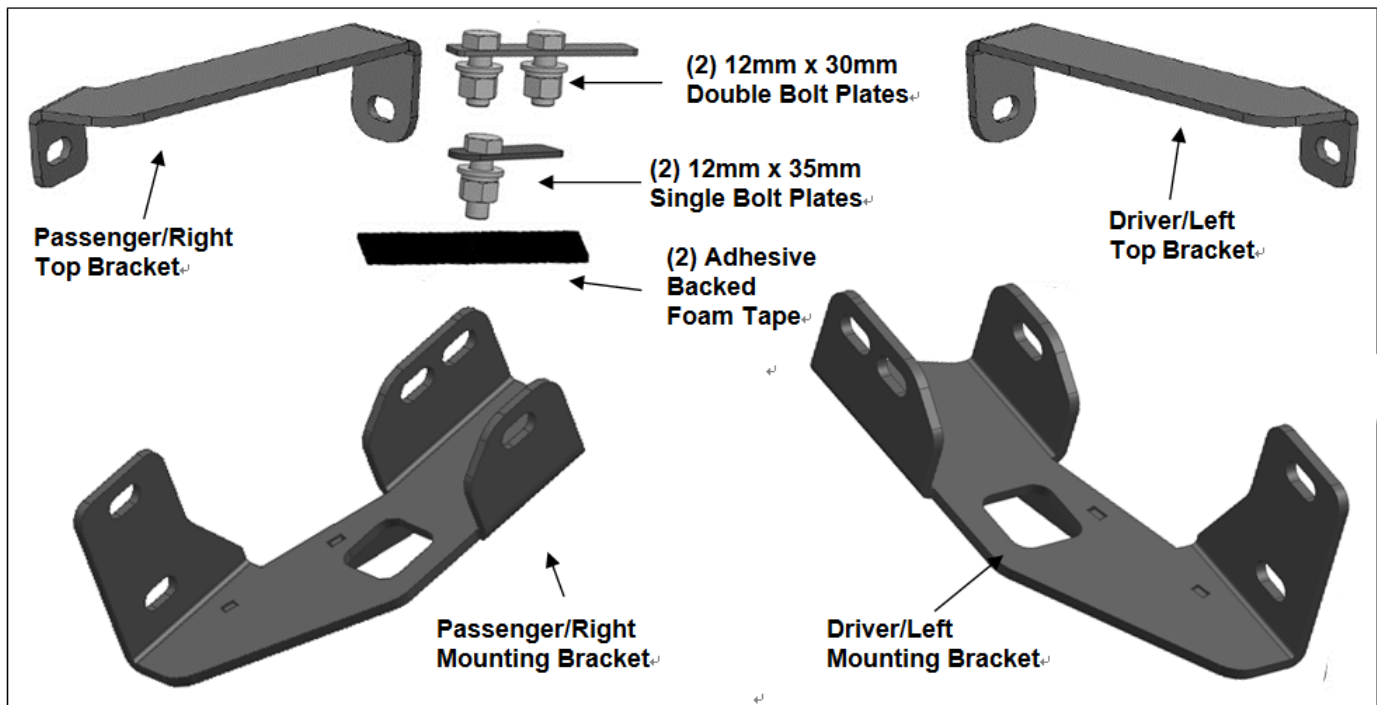
**BLACK MODULAR GRILLE GUARD FOR CHEVY SILVERADO 1500 2019**

**(Excl. Diesel models with DEF tanks & 2019 Silverado 1500 LD)**

**PART #17GT29MA**

**PARTS LIST:**

1	Grille Guard Assembly	10	12mm Lock Washers
1	Left Wing	10	12-1.75mm Hex Nuts
1	Right Wing	4	12-1.75mm x 35mm Hex Bolts
1	Driver/Left GG Mounting Bracket	2	10-1.50mm x 35mm Hex Bolts
1	Passenger/Right GG Mounting Bracket	4	10mm x 30mm OD x 2.5mm Flat Washers
1	Driver/Left Top Bracket	2	10mm Lock Washers
1	Passenger/Right Top Bracket	2	10-1.50mm Hex Nuts
2	12-1.75mm x 30mm Double Bolt Plates	12	8mm x 24mm OD x 2mm Flat Washers
2	12-1.75mm x 35mm Single Bolt Plates	2	Adhesive Backed Foam Tapes
14	12mm x 24mm OD x 2.5mm Flat Washers	6	Type 1 non-metallic inserts hex lock nuts M8
6	Button Head Allen Bolts M8*25	1	Allen Wrench S=5

**PROCEDURE:**

**REMOVE CONTENTS FROM BOX AND VERIFY ALL PARTS ARE PRESENT. READ INSTRUCTIONS CAREFULLY. CUTTING MAY BE REQUIRED. ASSISTANCE IS HIGHLY RECOMMENDED. INSTALLATION MAY INTERFERE WITH FRONT MOUNTED SENSORS.**

- Remove the factory tow hooks and hardware if equipped, **(Figures 1—3)**. **IMPORTANT:** Tow hooks cannot be reinstalled with the Grille Guard.
 

**Vehicles without tow hooks:**

  - Cut out the indented area in both sides of the plastic bumper insert to clear the Brackets as pictured, **(Figure 4 & 5)**. **IMPORTANT:** Make several small cuts for best fit. Do not cut through the top or bottom edge of the panel.
- Insert the Frame Bracket assembly through the opening in the bumper, **(Figures 3 & 4)**. **NOTE:** Trim the opening to clear the Bracket assembly as necessary. Line up the holes in the Passenger Mounting Bracket with the holes in the end of the frame for the tow hook. Select (1) 12mm Double Bolt Plates, **(Figure 6)**. Secure Passenger Mounting Bracket to the Bolt Plate with (2) 12mm Flat Washer, (2) 12mm Lock Washer and (2) 12mm Hex Nut, **(Figures 8, 9A & 10)**. Snug but do not tighten at this time.
- Select (1) 12mm Single Bolt Plate, **(Figure 7)**. Secure Passenger Mounting Bracket to the Bolt Plate with (1) 12mm Flat Washer, (1) 12mm Lock Washer and (1) 12mm Hex Nut, **(Figures 8, 9A & 10)**. Snug but do not tighten at this time.
- Repeat **Steps 2—4** to install the passenger/right Mounting Bracket assembly.
- Open the hood and remove the cover between the top of the radiator and the grille, **(Figure 11)**.

6. Carefully remove the grille from the vehicle. **NOTE:** Grille is held in place with screws at the top and several clips. Remove the screws and firmly pull the grille straight out from the vehicle to release the grille from clips, **(Figure 12)**.
7. Move up to the top of the bumper. Select the Driver/left Top Bracket. Apply a layer of the included Adhesive Backed Foam Tame to the bottom of the Bracket, **(Figure 13)**.
8. Locate the (2) factory hex bolts attaching the top of the bumper to the inner bumper bracket. Remove the outer hex bolt, **(Figure 14)**. Reuse the factory outer hex bolt to attach the Top Bracket to the back of the bumper, **(Figure 15)**. Do not tighten hardware at this time.
9. Repeat **Steps 6—9** to install the passenger/right Top Bracket.
10. With assistance, hold the Grille Guard up in position on the outside of the Mounting Brackets, **(Figure 16)**. Use Allen Wrench S=5, (6) Button Head Allen Bolts M8, (12) 8mm Flat Washers and (6) Type 1 non-metallic inserts hex lock nuts M8 to mount top three holes of grille and wings. Use (2) 10mm Hex Bolts, (4) 10mm Flat Washers, (2) 10mm Lock Washers and (2) 10mm Hex Nuts to connect Driver/left top bracket to bottom hole **(Figure 17)**. Use (4) 12mm Hex Bolts, (8) 12mm Flat Washers, (4) 12mm Lock Washers and (4) 12mm Hex Nuts to mount Driver/left mounting bracket on **Grille Guard (Figures 18 & 19)**. Do not tighten hardware at this time.
11. Check the Grille guard alignment with the vehicle. Adjust as required then fully tighten the Bracket to vehicle hardware only. Do not fully tighten the Grille Guard to Bracket hardware at this time.
12. Reinstall the grille and top cover. **NOTE:** Loosen the hardware attaching the Grille Guard to the Brackets and tilt the Grille Gard forward to make room to reinstall the grille. Reinstall the Grille Guard. Level and adjust the Grille Guard and fully tighten all hardware.
13. Do periodic inspections to the installation to make sure that all hardware is secure and tight.

**To protect your investment**, wax this product after installing. Regular waxing is recommended to add a protective layer over the finish. Do not use any type of polish or wax that may contain abrasives that could damage the finish.

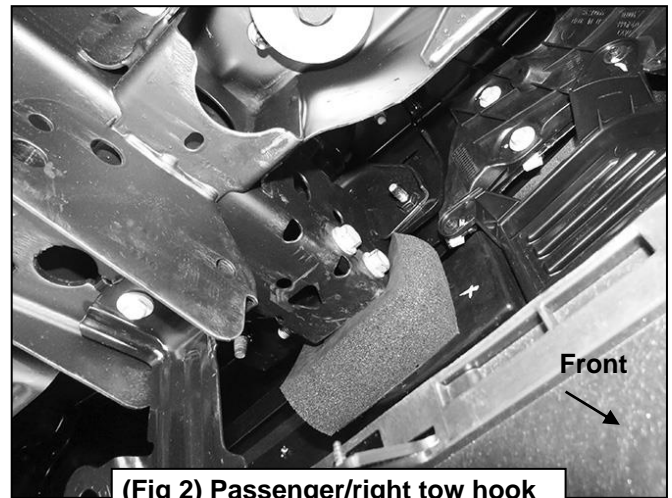
**For stainless steel:** Aluminum polish may be used to polish small scratches and scuffs on the finish. Mild soap may be used also to clean the Grille Guard.

**For gloss black finishes:** Mild soap may be used to clean the Grille Guard.

### Driver Side Mounting Bracket Installation Pictured



**(Fig 1) Driver/left tow hook pictured**



**(Fig 2) Passenger/right tow hook pictured from behind bumper**

### Driver Side Mounting Bracket Installation Pictured

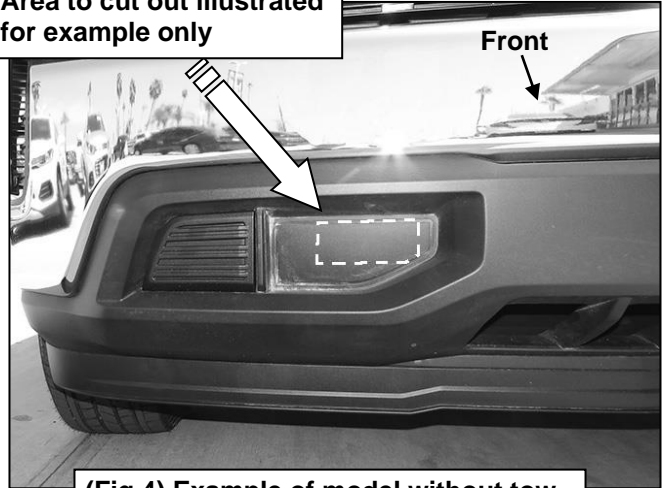


(Fig 3) Tow hook removed. Opening may need to be trimmed to clear the Mounting Bracket assembly

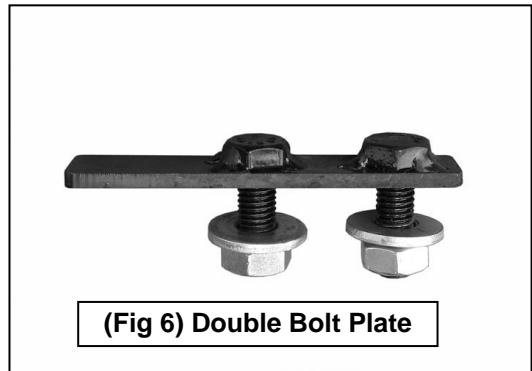


(Fig 5) Passenger/right side of frame and bumper pictured from behind bumper

Area to cut out illustrated for example only

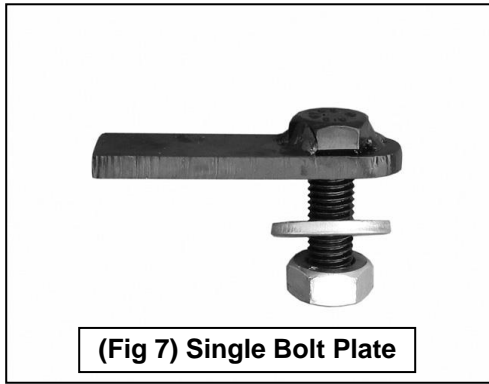


(Fig 4) Example of model without tow hooks, passenger/right side pictured



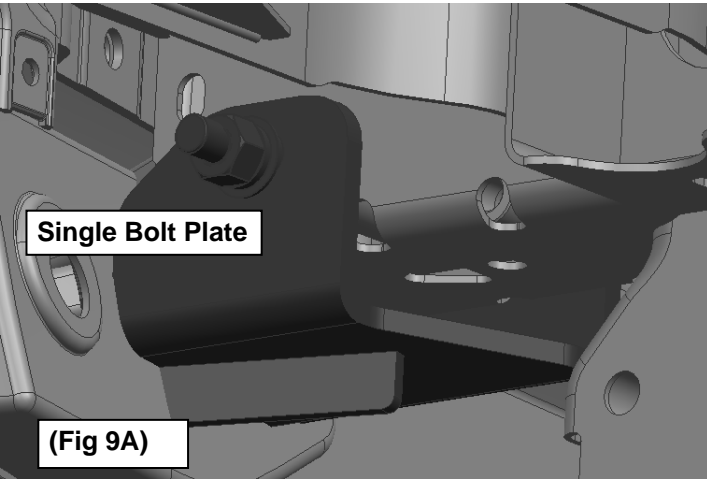
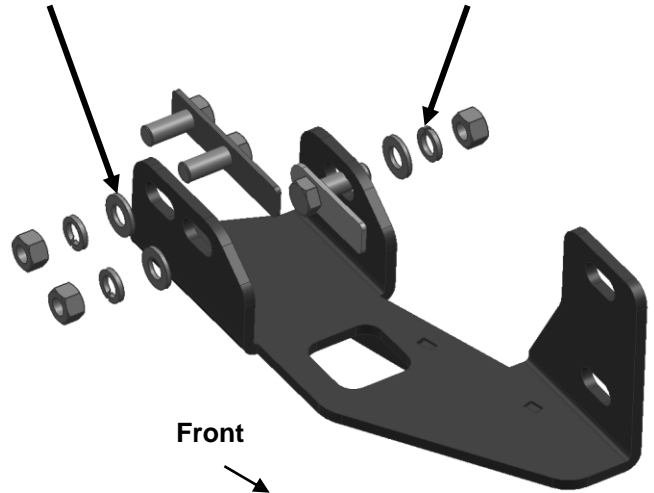
(Fig 6) Double Bolt Plate

### Driver Side Mounting Bracket Installation Pictured

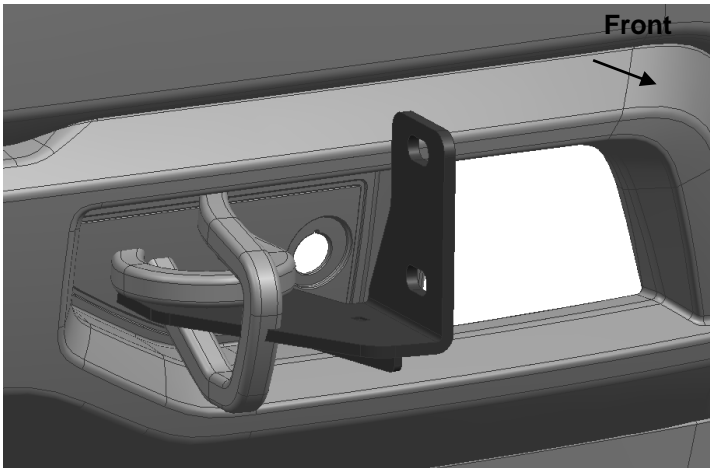
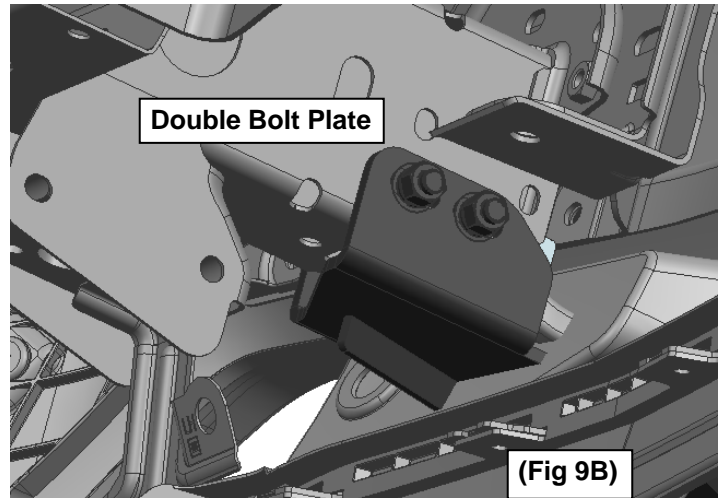


- (1) 12mm Double Bolt Plate
- (2) 12mm Flat Washers
- (2) 12mm Lock Washers
- (2) 12mm Hex Nuts

- (1) 12mm Bolt Plate
- (1) 12mm Flat Washer
- (1) 12mm Lock Washer
- (1) 12mm Hex Nut



(Fig 8) Attach Driver/right Mounting Bracket assembly to end of frame with Bolt Plates



(Fig 10) Driver/left Bracket assembly installed

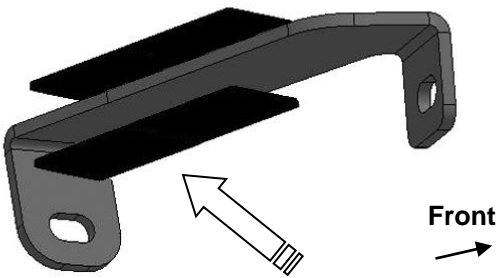
### Driver Side Mounting Bracket Installation Pictured



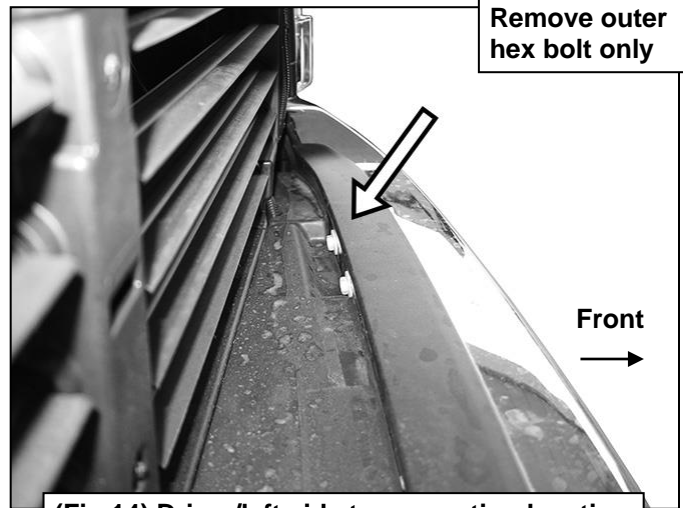
(Fig 11) Remove plastic cover from top of grille



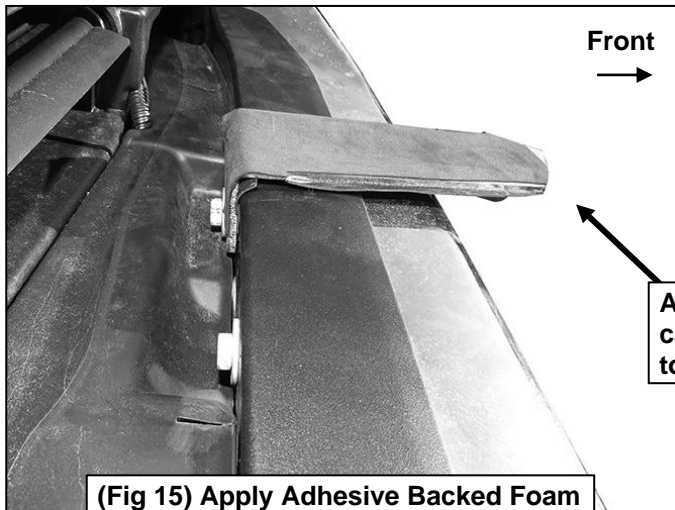
(Fig 12) Remove screws attaching grille and carefully pull grille straight out to remove grille



(Fig 13) Apply Foam Tape to underside of Driver/left Top Bracket



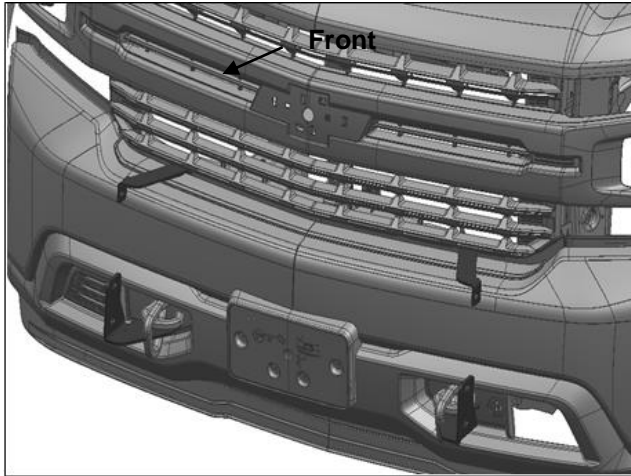
(Fig 14) Driver/left side top mounting location



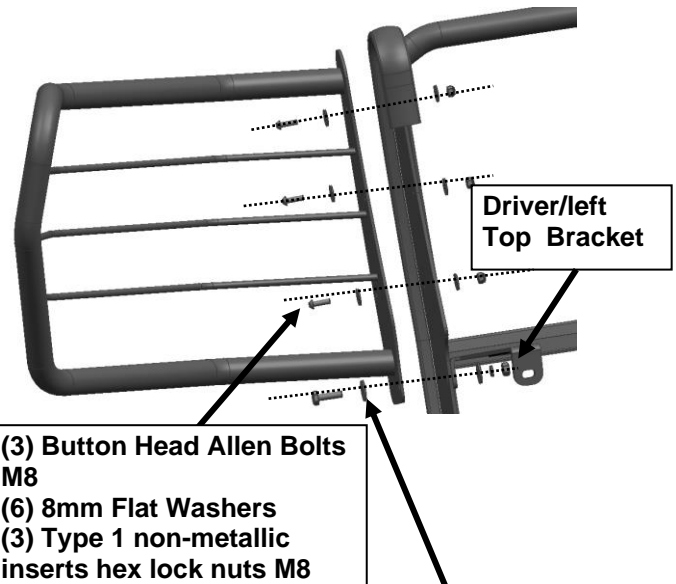
(Fig 15) Apply Adhesive Backed Foam Tape to the underside of Top Bracket

Any remaining tape can be applied to the top of the Bracket

### Driver Side Mounting Bracket Installation Pictured

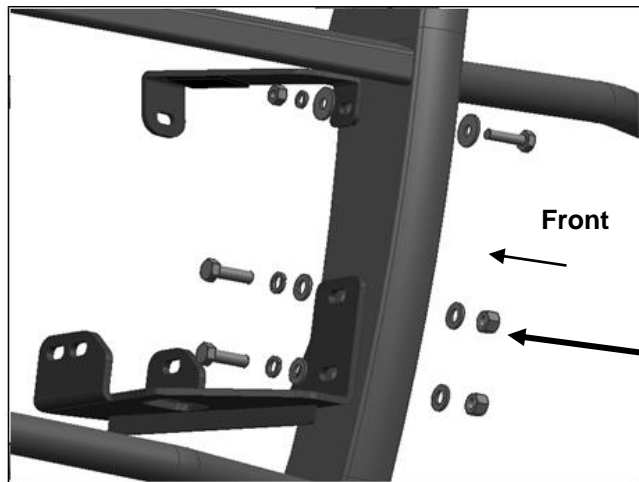


**(Fig 16) Mounting Brackets installed**



- (1) 10mm x 35mm Hex Bolts
- (2) 10mm Flat Washers
- (1) 10mm Lock Washers
- (1) 10mm Hex Nuts

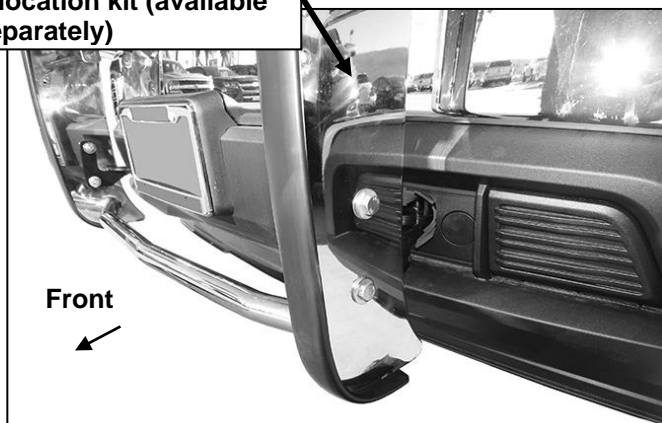
**(Fig 16) Wings installed**



- (2) 12mm x 35mm Hex Bolts
- (4) 12mm Flat Washers
- (2) 12mm Lock Washers
- (2) 12mm Hex Nuts

**(Fig 18) Attach Grille Guard to Mounting Brackets**

Mounting holes for optional parking sensor relocation kit (available separately)



**(Fig 19) Attach Grille Guard to Mounting Brackets**



**Complete Installation**